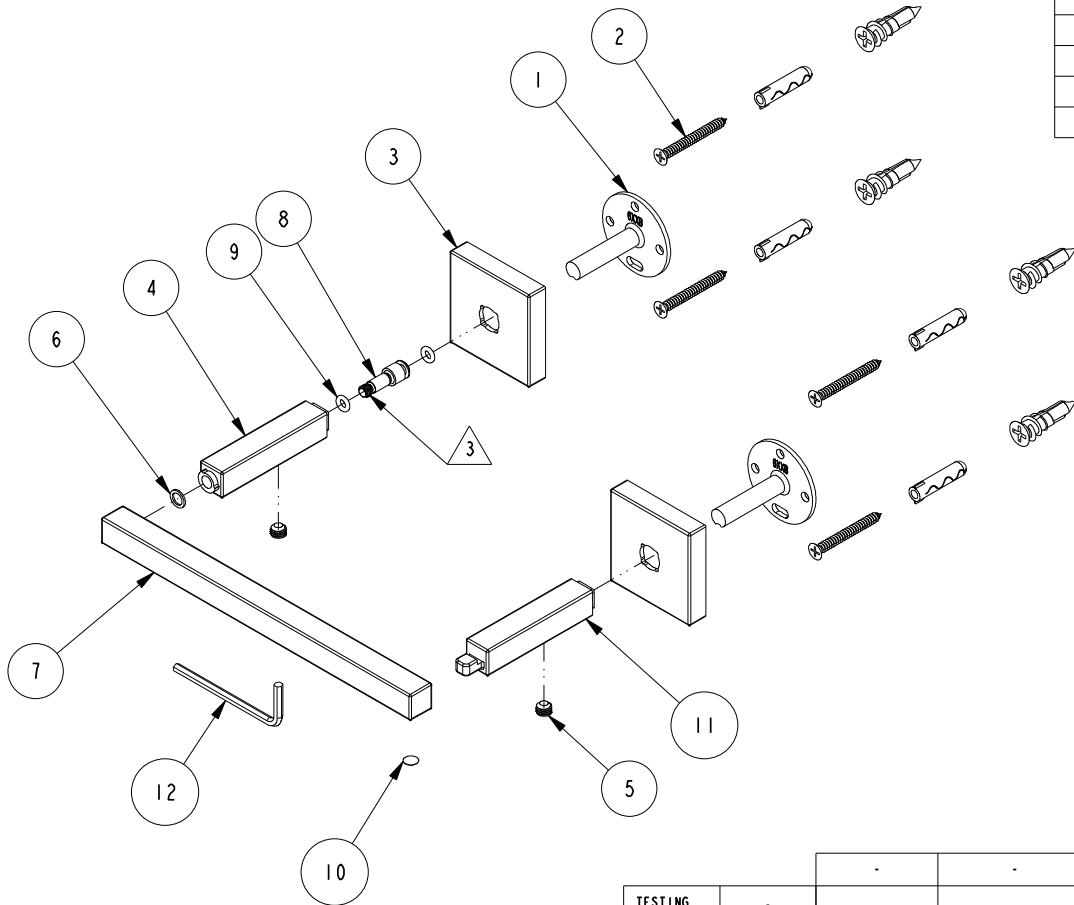


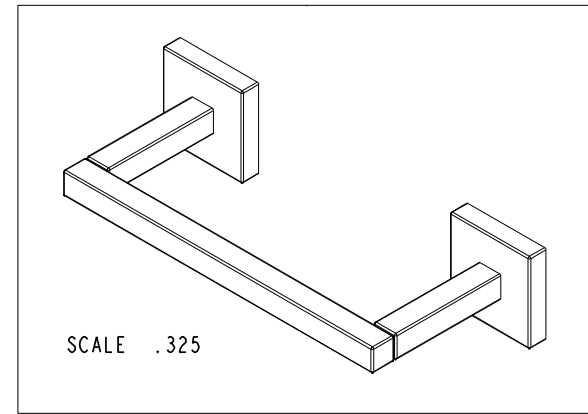
NOTES:

- (NI) 1. FIT / FORM / FUNCTION SHALL FOLLOW PS-E.008.
- 2. BAG ITEMS 1, 2 AND 12.
- 3. APPLY LOCTITE 680.



BILL OF MATERIAL (CURRENT LEVEL)

ITEM	PT/ASSY	DESCRIPTION	TYPE	QTY.
1	6XXB	MOUNTING BRACKET	PART	2
2	1-206	HARDWARE PACK	ASSEMBLY	2
3	40596	ESCUTCHEON	PART	2
4	40698	PIVOTING TISSUE POST LEFT	PART	1
5	92563	SCRW, 1/4-28 X 3/16 SKT HD CUP PT W/ SELF LOC SS	PART	2
6	91779	WSHR, .220 ID X .315 OD X .030 THK, FLT, ACETAL	PART	1
7	40700	PIVOTING TISSUE ARM	PART	1
8	92893	PIVOT SCREW	PART	1
9	91098	O-RING, #2-007, EPDM, 65-75 DURO	PART	2
10	91254	POLY BUMPER PAD, DIA .250" X .062"	PART	1
11	40699	PIVOTING TISSUE POST RIGHT	PART	1
12	92422	HEX KEY, 1/8" ALLOY STEEL	PART	1



TESTING	-	-	-
ASSEMBLY	-	-	-
PLATING	-	-	-
POLISHING	-	NEXT ASSY	USED ON
MACHINING	-	APPLICATION	
TOOLING FIXTURE #	REMOVE ALL BURRS AND SHARP EDGES		

UNITS ARE: INCHES [MM]  
 FRACTIONS DECIMALS ANGLES  
 ±1/16" .X ±.1 [2.5] ±1°  
 .XX ±.06 [1.5]

(X.XXX) DENOTES CRITICAL DIMS.  
 ALL THREADS ARE CRITICAL

DRAWN R.S. 07/12/19  
 CHECKED J.M. 07/12/19  
 APPROVED J.M. 07/12/19

**BRASSTECH** 2001 CARNEGIE AVE.  
 INCORPORATED SANTA ANA, CA 92705  
 (949) 417-5207

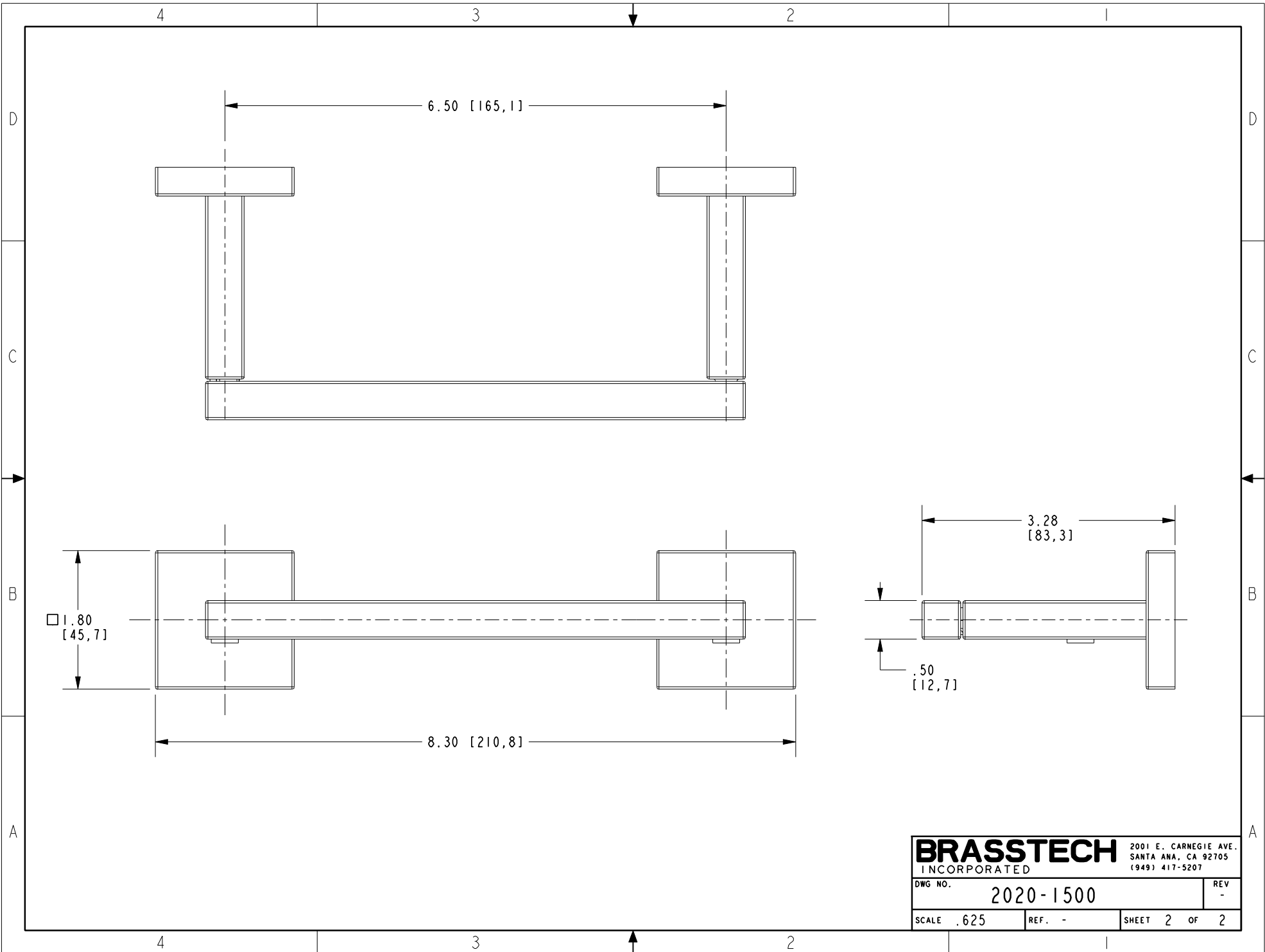
PIVOTING TISSUE HOLDER

DWG NO. 2020-1500

SCALE .325 REF. - SHEET 1 OF 2

COPYRIGHT 2005 BRASSTECH, INC.  
 THESE DRAWINGS AND THE DESIGNS  
 DEPICTED HEREIN ARE THE PROPRIETARY  
 PROPERTY OF BRASSTECH. ANY USE  
 OR REPRODUCTION IS SUBJECT TO  
 THE EXPRESS APPROVAL OF BRASSTECH.  
 UNAUTHORIZED USE IS STRICTLY  
 PROHIBITED. ALL RIGHTS RESERVED.

EN-3840	07/12/19	J.M.
ZONE	REV	DESCRIPTION



<b>BRASSTECH</b>		2001 E. CARNEGIE AVE. SANTA ANA, CA 92705 (949) 417-5207	
DWG NO.	2020-1500	REV	-
SCALE	.625	REF.	-
		SHEET	2 OF 2