

NOTES:

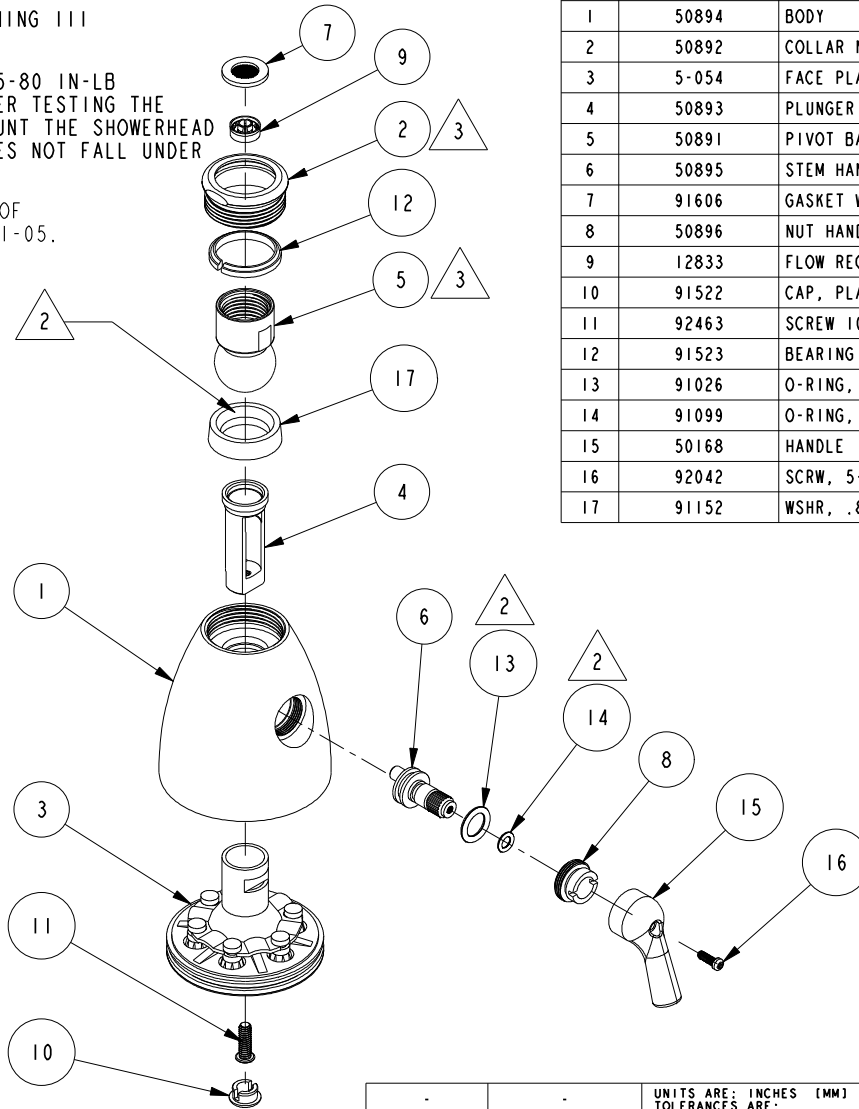
1. TO INSPECT ASSEMBLY, FOLLOW FIRST ARTICLE AND IN PROCESS INSPECTION SHEET.

2. APPLY LIGHT FILM OF DOW CORNING 111 SILICONE COMPOUND.

3. APPLY INSTALLATION TORQUE 75-80 IN-LB (6.25-6.67 FT-LB) AFTER WATER TESTING THE SHOWERHEAD. HORIZONTALLY MOUNT THE SHOWERHEAD TO ENSURE THE SHOWERHEAD DOES NOT FALL UNDER ITS OWN WEIGHT.

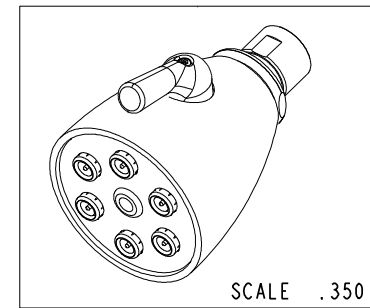
4. PART SHALL MEET REQUIREMENTS OF ASME A112.18.1-2005/CSA B125.1-05.

5. APPROVED VENDOR: BCA.



BILL OF MATERIAL (CURRENT LEVEL)

ITEM	PT/ASSY	DESCRIPTION	TYPE	QTY.
1	50894	BODY	PART	1
2	50892	COLLAR NUT	PART	1
3	5-054	FACE PLATE JET ASM	ASSEMBLY	1
4	50893	PLUNGER GUIDE	PART	1
5	50891	PIVOT BALL	PART	1
6	50895	STEM HANDLE	PART	1
7	91606	GASKET W/ FILTER SCREEN	PART	1
8	50896	NUT HANDLE STEM	PART	1
9	12833	FLOW REGULATOR, 1.8 GPM MAX	PART	1
10	91522	CAP, PLASTIC	PART	1
11	92463	SCREW 10-24 X 5/8 PHL ROUND HD SS	PART	1
12	91523	BEARING RING, PLASTIC	PART	1
13	91026	O-RING, #2- 111, EPDM, 65-75 DURO, NSF 61	PART	1
14	91099	O-RING, #2- 009, EPDM, 65-75 DURO	PART	1
15	50168	HANDLE	PART	1
16	92042	SCRW, 5-40 X 3/8 PHIL FILLISTER HD BRASS	PART	1
17	91152	WSHR, .801 ID X 1.196 OD X .32 THK, CONCAVE PB	PART	1



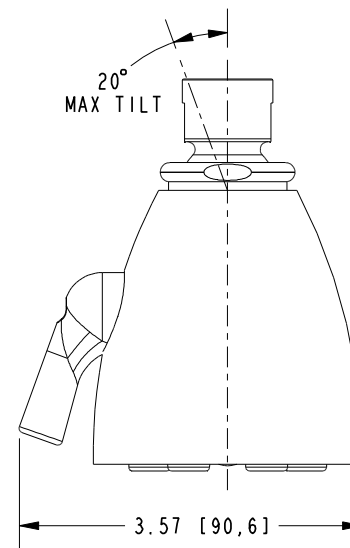
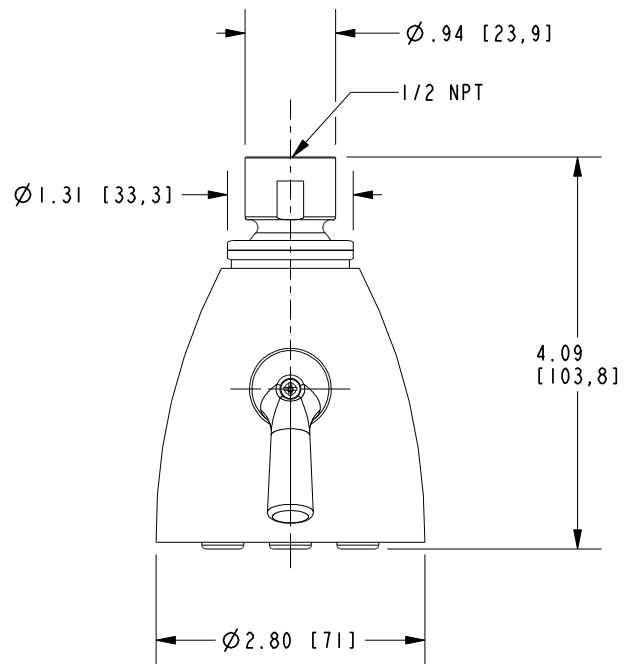
-	F	EN-4300w	03/10/21	R.S.
-	E	EN-3999	10/17/19	C.G.
-	D	EN-3410	12/29/17	C.G.
-	C	EN-1668	04/05/11	-
-	B	EN-1605	08/25/10	-
-	A	EN-0550	08/16/05	-
-	-	RELEASED	-	-
ZONE	REV	DESCRIPTION	DATE	APPROVED

COPYRIGHT 2005 BRASSTECH, INC. THESE DRAWINGS AND THE DESIGNS DEPICTED HEREIN ARE THE PROPRIETARY PROPERTY OF BRASSTECH. ANY USE OR REPRODUCTION IS SUBJECT TO THE EXPRESS APPROVAL OF BRASSTECH. UNAUTHORIZED USE IS STRICTLY PROHIBITED. ALL RIGHTS RESERVED.

TESTING	-	-	-
ASSEMBLY	-	-	-
PLATING	-	3-1032BP	3-1032BP
POLISHING	-	NEXT ASSY	USED ON
MACHINING	-	APPLICATION	
TOOLING FIXTURE #	REMOVE ALL BURRS AND SHARP EDGES		

UNITS ARE: INCHES [MM]		
TOLERANCES ARE:		
FRACTIONS	DECIMALS	ANGLES
±1/16"	.X ±.1 [2.5]	±°
	.XX ±.06 [1.5]	
(X.XXX) DENOTES CRITICAL DIMS. ALL THREADS ARE CRITICAL		
DRAWN	JIMSON	10/17/19
CHECKED	C.G.	10/17/19
APPROVED	C.G.	10/17/19

BRASSTECH		2001 CARNEGIE AVE. SANTA ANA, CA 92705 (949) 417-5207	
INCORPORATED			
SHOWER HEAD			
DWG NO. 212		REV F	
SCALE .320	REF. -	SHEET 1	OF 2



BRASSTECH		2001 E. CARNEGIE AVE. SANTA ANA, CA 92705 (949) 417-5207	
DWG NO.	212	REV	F
SCALE	.500	REF.	-
		SHEET	2 OF 2