

NOTES:

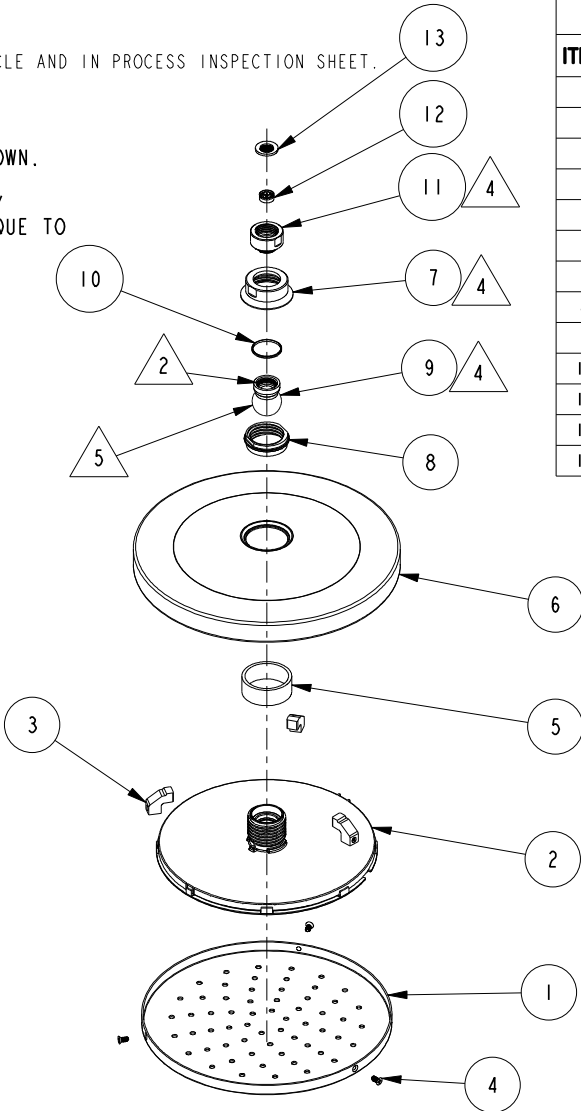
1. TO INSPECT ASSEMBLY, FOLLOW FIRST ARTICLE AND IN PROCESS INSPECTION SHEET.

2. APPLY LOCTITE 680.

3. AFFIX LABEL 98136 APPROX. WHERE SHOWN.

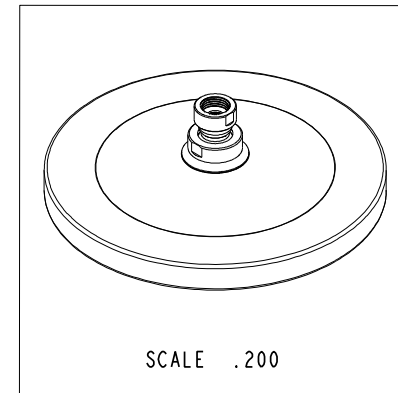
4. TIGHTEN THE NUT 12290 IN SUCH A WAY THAT IT SHALL TAKE 20-25 LB-IN TORQUE TO MOVE THE PIVOT BALL.

5. APPLY THIN FILM OF DOW CORNING 111.



BILL OF MATERIAL (CURRENT LEVEL)

ITEM	PT/ASSY	DESCRIPTION	TYPE	QTY.
1	11391	FACE PLATE	PART	1
2	1-317	7.5 SHOWER ENGINE	ASSEMBLY	1
3	12322	FACEPLATE TAB	PART	3
4	92283	SCRW, 6-32 X 5/16 FLT HD SS	PART	3
5	12289	RAIN SHOWER SHELL SUPPORT	PART	1
6	11495	SHOWER HEAD SHELL	PART	1
7	12290	CONTEMPORARY SHOWER SHELL NUT	PART	1
8	12288	RETAINING NUT	PART	1
9	80150	PIVOT BALL	PART	1
10	91157	WSHR, .920 ID X 1.0 OD X .066 THK, FLT, NYLON	PART	1
11	11395	SHOWER SPOUT NUT	PART	1
12	12833	FLOW REGULATOR, 1.8 GPM MAX	PART	1
13	91606	GASKET W/ FILTER SCREEN	PART	1



-	M	EN-4300w	03/16/21	R.S.
-	L	EN-3999	10/17/19	C.G.
-	K	EN-3410	12/30/17	C.G.
-	J	EN-2835	06/25/15	-
-	H	EN-2671	01/13/14	-
-	G	EN-2629	EN-2629	-
-	F	EN-2431	02/06/13	-
-	E	EN-2297	10/04/12	-
-	D	EN-2052	01/26/12	-
-	C	EN-1668	04/05/11	-
-	B	EN-1256	06/03/09	-
-	A	EN-1212	04/21/09	-
-	-	EN-1129	10/23/08	-
ZONE	REV	DESCRIPTION	DATE	APPROVED

COPYRIGHT 2005 BRASSTECH, INC. THESE DRAWINGS AND THE DESIGNS DEPICTED HEREIN ARE THE PROPRIETARY PROPERTY OF BRASSTECH. ANY USE OR REPRODUCTION IS SUBJECT TO THE EXPRESS APPROVAL OF BRASSTECH. UNAUTHORIZED USE IS STRICTLY PROHIBITED. ALL RIGHTS RESERVED.

TESTING	-	-	-
ASSEMBLY	-	-	-
PLATING	-	-	-
POLISHING	-	NEXT ASSY	USED ON
MACHINING	-	APPLICATION	
TOOLING FIXTURE #	REMOVE ALL BURRS AND SHARP EDGES		

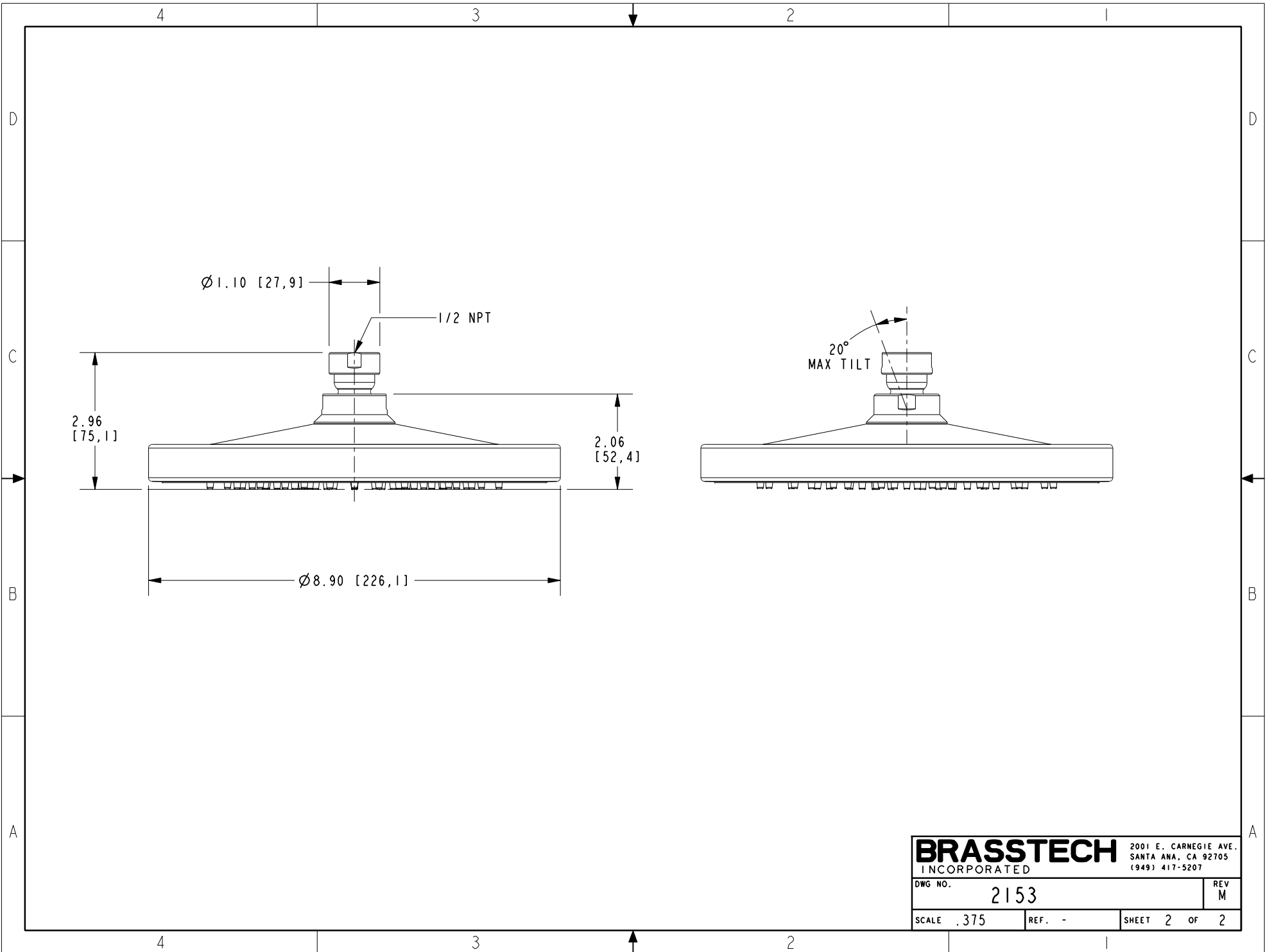
UNITS ARE: INCHES [MM]	
TOLERANCES ARE:	
FRACTIONS	DECIMALS ANGLES
±1/16"	±.1 ±°
.X ±.1	[2.5]
.XX ±.06	[1.5]
(X.XXX) DENOTES CRITICAL DIMS.	
ALL THREADS ARE CRITICAL	
DRAWN	MANJUNATH 10/17/19
CHECKED	C.G. 10/17/19
APPROVED	C.G. 10/17/19

BRASSTECH 2001 CARNEGIE AVE.
INCORPORATED SANTA ANA, CA 92705
(949) 417-5207

CONTEMPORARY RAIN SHOWER HEAD

DWG NO. **2153** REV **M**

SCALE .187 REF. - SHEET 1 OF 2



BRASSTECH		2001 E. CARNEGIE AVE. SANTA ANA, CA 92705 (949) 417-5207	
DWG NO.	2153	REV	M
SCALE	.375	REF.	-
SHEET 2		OF 2	