

NOTES:

1. TO INSPECT ASSEMBLY, FOLLOW FIRST ARTICLE AND IN PROCESS INSPECTION SHEET.

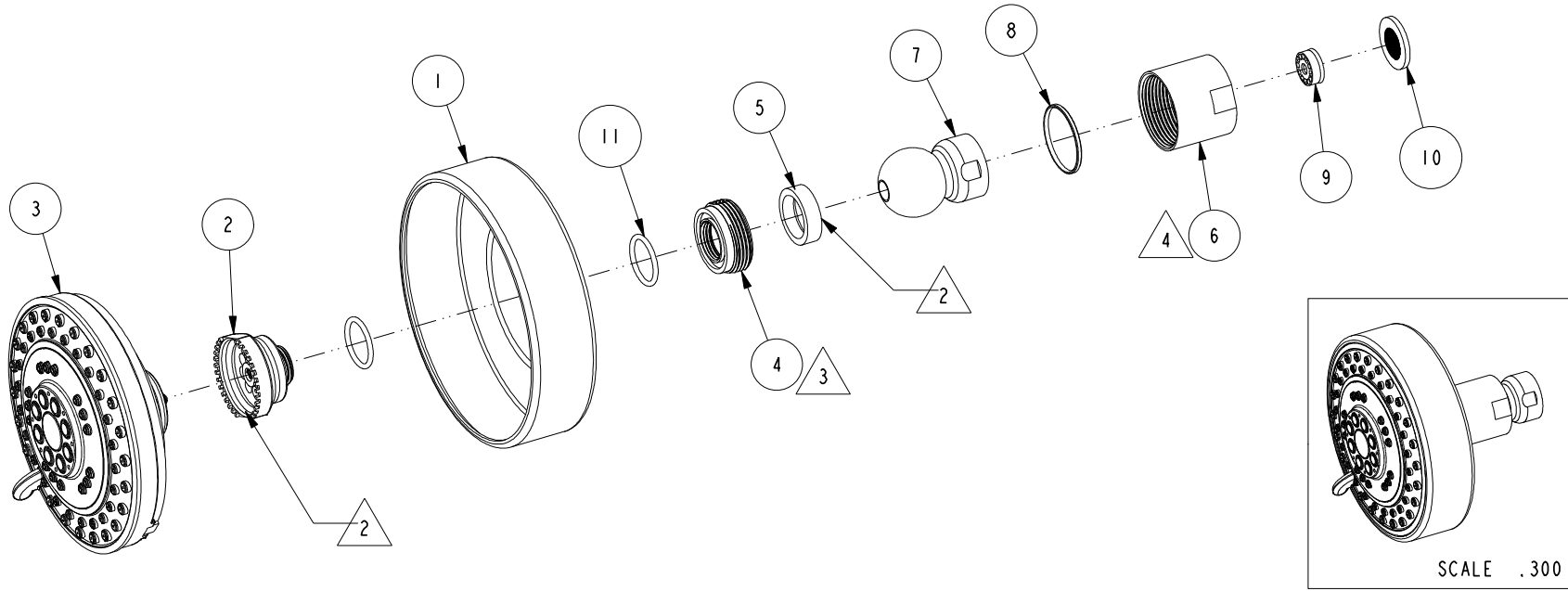
2. APPLY THIN FILM OF DOW CORNING III.

3. APPLY 35-40 LB-IN OF TORQUE.

4. APPLY 25-28 LB-IN OF TORQUE.

BILL OF MATERIAL (CURRENT LEVEL)

ITEM	PT/ASSY	DESCRIPTION	TYPE	QTY.
1	11375	SHOWER HEAD SHELL	PART	1
2	13446	SHOWER HEAD ADAPTER	PART	1
3	8-083	SHOWER ENGINE	PART	1
4	13445	SHOWER HEAD COLLAR ADAPTER	PART	1
5	91389	WSHR, .630 ID X .823 OD X .228 THK, CONCAVE, RUBBER	PART	1
6	12113	SHOWER HEAD COLLAR NUT	PART	1
7	80018	PIVOT BALL	PART	1
8	91157	WSHR, .920 ID X 1.0 OD X .066 THK, FLT, NYLON	PART	1
9	12833	FLOW REGULATOR, 1.8 GPM MAX	PART	1
10	91606	GASKET W/ FILTER SCREEN	PART	1
11	91020	O-RING, #2-016, EPDM, 65-75 DURO, NSF 61	PART	2



-	F	EN-4300w	03/16/21	R. S.
-	E	EN-	-	-
-	D	EN-4172B	08/17/20	C. G.
-	C	EN-3999	10/17/19	C. G.
-	B	EN-3410	12/30/17	C. G.
-	A	EN-2473	03/06/13	-
-	-	EN-2332	12/10/12	-
ZONE	REV	DESCRIPTION	DATE	APPROVED

COPYRIGHT 2005 BRASSTECH, INC. THESE DRAWINGS AND THE DESIGNS DEPICTED HEREIN ARE THE PROPRIETARY PROPERTY OF BRASSTECH. ANY USE OR REPRODUCTION IS SUBJECT TO THE EXPRESS APPROVAL OF BRASSTECH. UNAUTHORIZED USE IS STRICTLY PROHIBITED. ALL RIGHTS RESERVED.

TESTING	-	-	-
ASSEMBLY	-	-	-
PLATING	-	-	-
POLISHING	-	NEXT ASSY	USED ON
MACHINING	-	APPLICATION	
TOOLING FIXTURE #	REMOVE ALL BURRS AND SHARP EDGES		

UNITS ARE: INCHES [MM]  
TOLERANCES ARE:  
FRACTIONS DECIMALS ANGLES  
±1/16" .X ±.1 [2.5] ±1°  
.XX ±.06 [1.5]

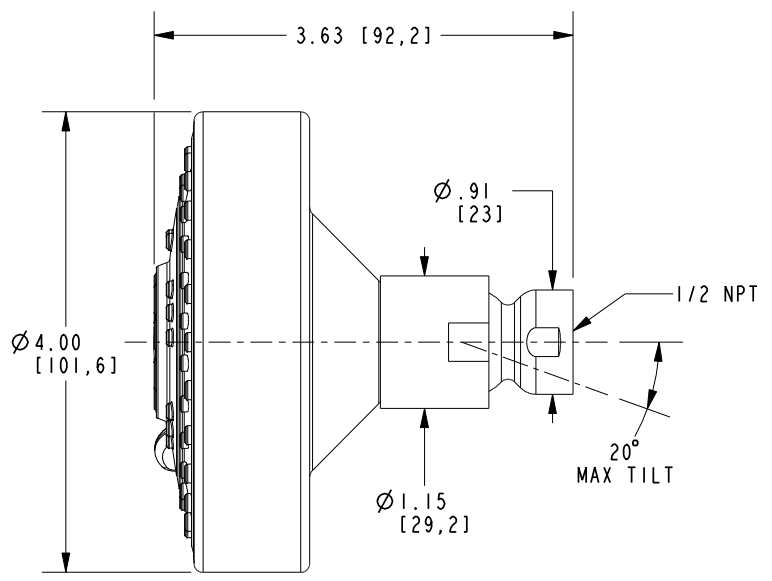
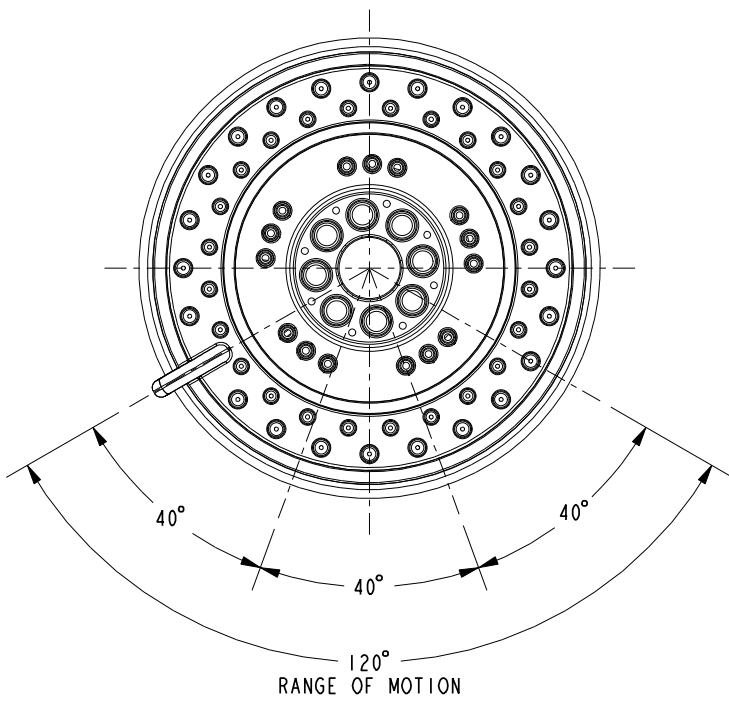
(X.XXX) DENOTES CRITICAL DIMS.  
ALL THREADS ARE CRITICAL

DRAWN	MANJUNATH	10/17/19
CHECKED	C. G.	10/17/19
APPROVED	C. G.	10/17/19

**BRASSTECH** 2001 CARNEGIE AVE.  
INCORPORATED SANTA ANA, CA 92705  
(949) 417-5207

SHOWER HEAD, CONTEMP

DWG NO.	2155	REV	F
SCALE	.400	REF.	-
SHEET	1	OF	2



<b>BRASSTECH</b>		2001 E. CARNEGIE AVE. SANTA ANA, CA 92705 (949) 417-5207	
DWG NO.	2155	REV	F
SCALE	.600	REF.	-
		SHEET	2 OF 2