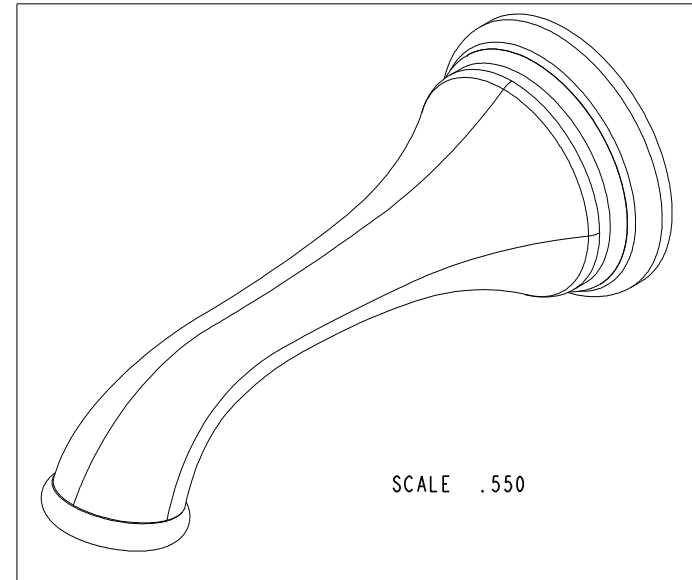
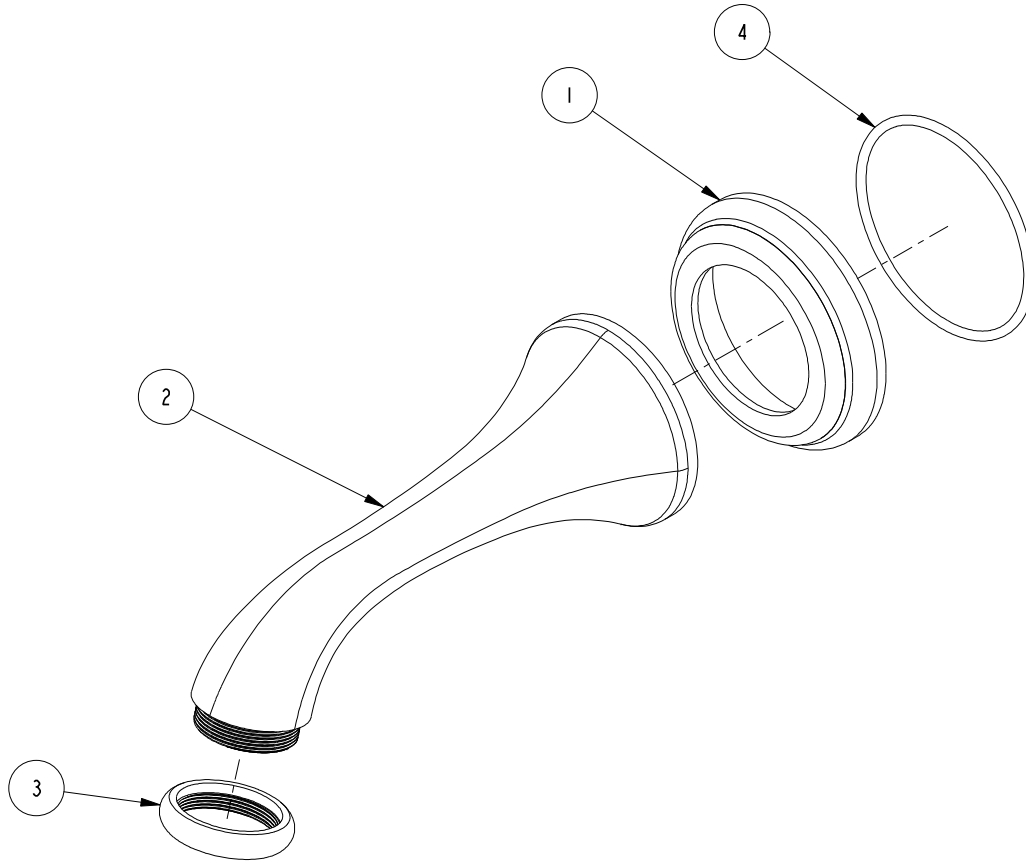


NOTES:

1. TO INSPECT ASSEMBLY, FOLLOW FIRST ARTICLE AND IN PROCESS INSPECTION SHEET.

**BILL OF MATERIAL (CURRENT LEVEL)**

ITEM	PT/ASSY	DESCRIPTION	TYPE	QTY.
1	10313	SMOOTH BASE RING	PART	1
2	10086	TUB SPOUT	PART	1
3	10297	RING TIP W/S SPOUT - SMO	PART	1
4	91755	O-RING, #2-142, EPDM, 50 DURO - GREY	PART	1



ZONE	REV	DESCRIPTION	DATE	APPROVED
-	D	EN-4300ii	01/22/21	R.S.
-	C	EN-3722	02/08/19	C.G.
-	B	EN-1018a	06/04/13	-
-	A	RELEASED	2009	-

COPYRIGHT 2005 BRASSTECH, INC. THESE DRAWINGS AND THE DESIGNS DEPICTED HEREIN ARE THE PROPRIETARY PROPERTY OF BRASSTECH. ANY USE OR REPRODUCTION IS SUBJECT TO THE EXPRESS APPROVAL OF BRASSTECH. UNAUTHORIZED USE IS STRICTLY PROHIBITED. ALL RIGHTS RESERVED.

TESTING	-	-	-
ASSEMBLY	-	-	-
PLATING	-	1105	1105
POLISHING	-	NEXT ASSY	USED ON
MACHINING	-	APPLICATION	
TOOLING FIXTURE #	REMOVE ALL BURRS AND SHARP EDGES		

UNITS ARE: INCHES [MM]		
TOLERANCES ARE:		
FRACTIONS	DECIMALS	ANGLES
±1/16"	.X ±.1 [2.5]	±1°
	.XX ±.06 [1.5]	
(X.XXX) DENOTES CRITICAL DIMS. ALL THREADS ARE CRITICAL		
DRAWN	MANJUNATH	02/08/19
CHECKED	C.G.	02/08/19
APPROVED	C.G.	02/08/19

<b>BRASSTECH</b>		2001 CARNEGIE AVE. SANTA ANA, CA 92705 (949) 417-5207	
INCORPORATED			
COLONIAL TUB SPOUT			
DWG NO.		REV	
2201		D	
SCALE	REF.	SHEET	OF
.500	-	1	2

4

3

2

1

D

D

C

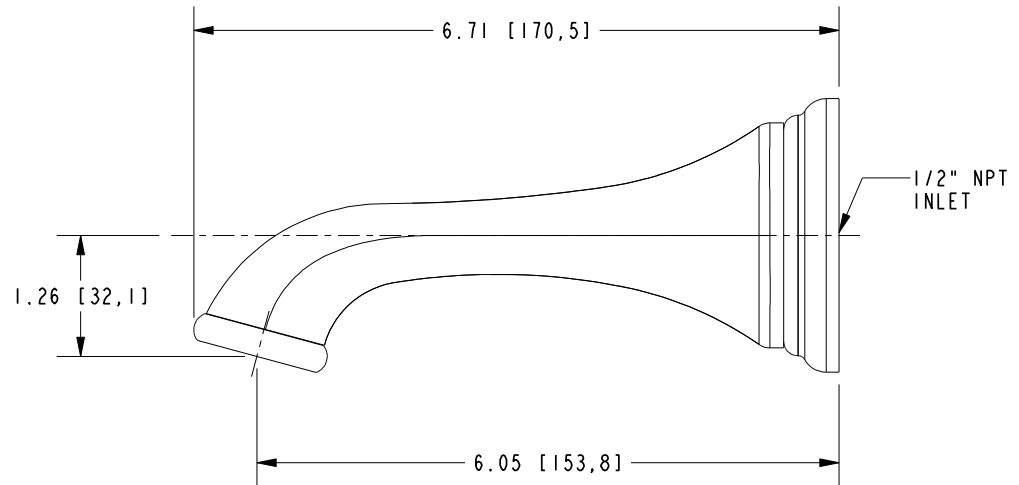
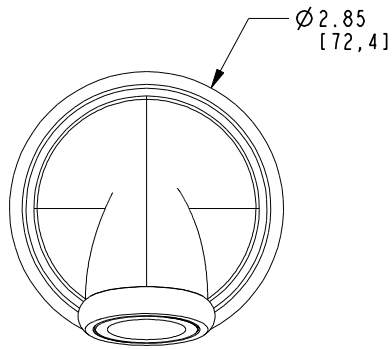
C

B

B

A

A



**BRASSTECH**

2001 CARNEGIE AVE.  
SANTA ANA, CA 92705  
(949) 417-5207

INCORPORATED

DWG NO.

2201

REV

D

SCALE .500

REF. -

SHEET 2 OF 2