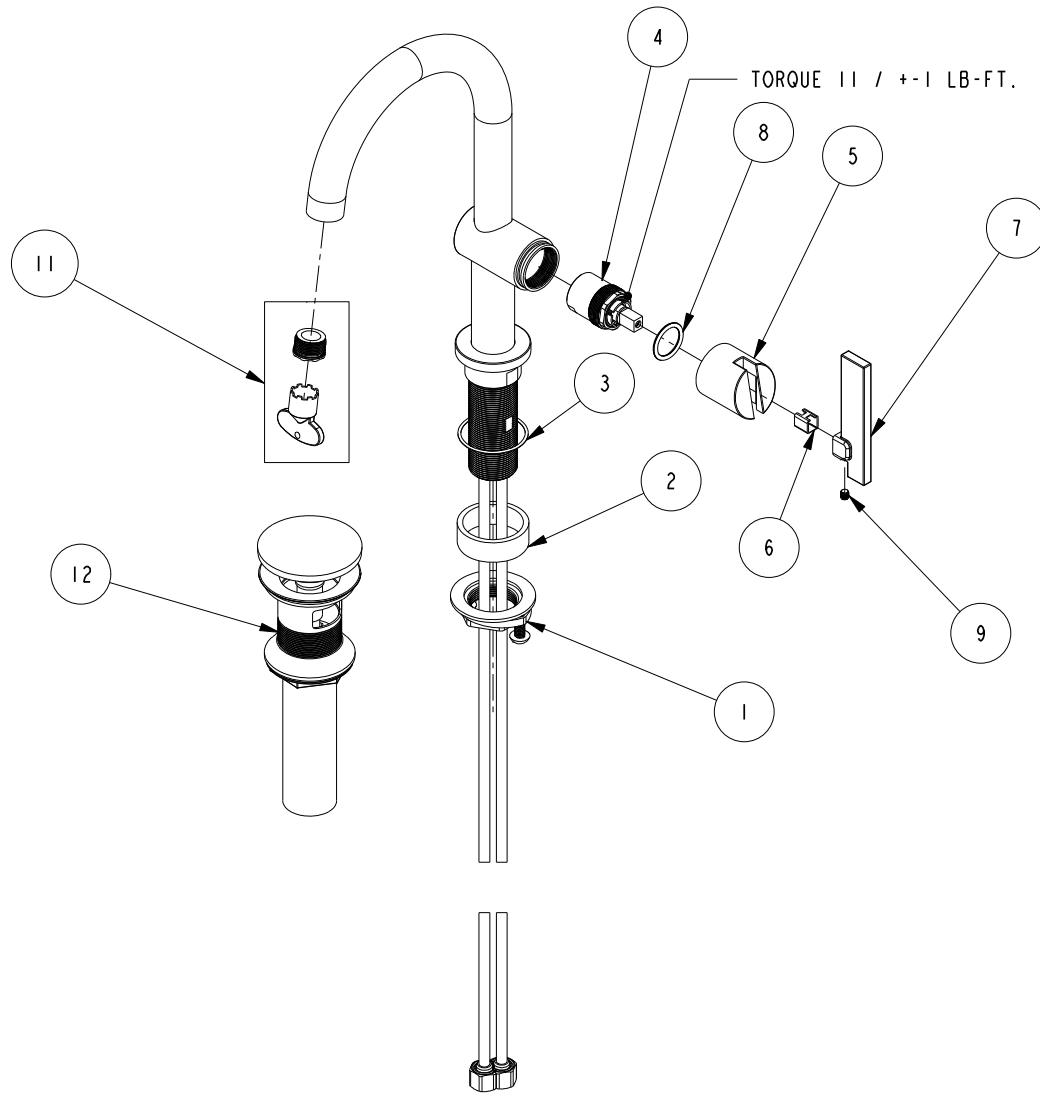


# REPLACEMENT PARTS

ITEM	PT/ASSY	SPECIFY FINISH	DESCRIPTION
1	1-393		1-1/8 18 UNEF MOUNTING KIT
2	10382		QUICK CONNECT SPACER
3	91159		O-RING, #2-029, EPDM, 65-75 DURO, NSF 61
4	1-371		CARTRIDGE
5	13848	YES	HANDLE HUB
6	91534		CARTRIDGE STEM INSERT
7	13849	YES	HANDLE LEVER
8	91114		O-RING, #2- 116, EPDM, 65-75 DURO, NSF 61
9	92004		SCRW, 10-32 X 3/16 SKT HD FLT PT SS
11	1-492		AERATOR 1.2 GPM WITH KEY
12	330	YES	DRAIN, PUSH DOWN, W/ OVERFLOW



**SINGLE HOLE DECK LAVATORY  
2403**

REV N EN-4735 01/15/24 APPROVED K.N.

**NEWPORT BRASS.**

t: 949.417.5207 | www.newportbrass.com