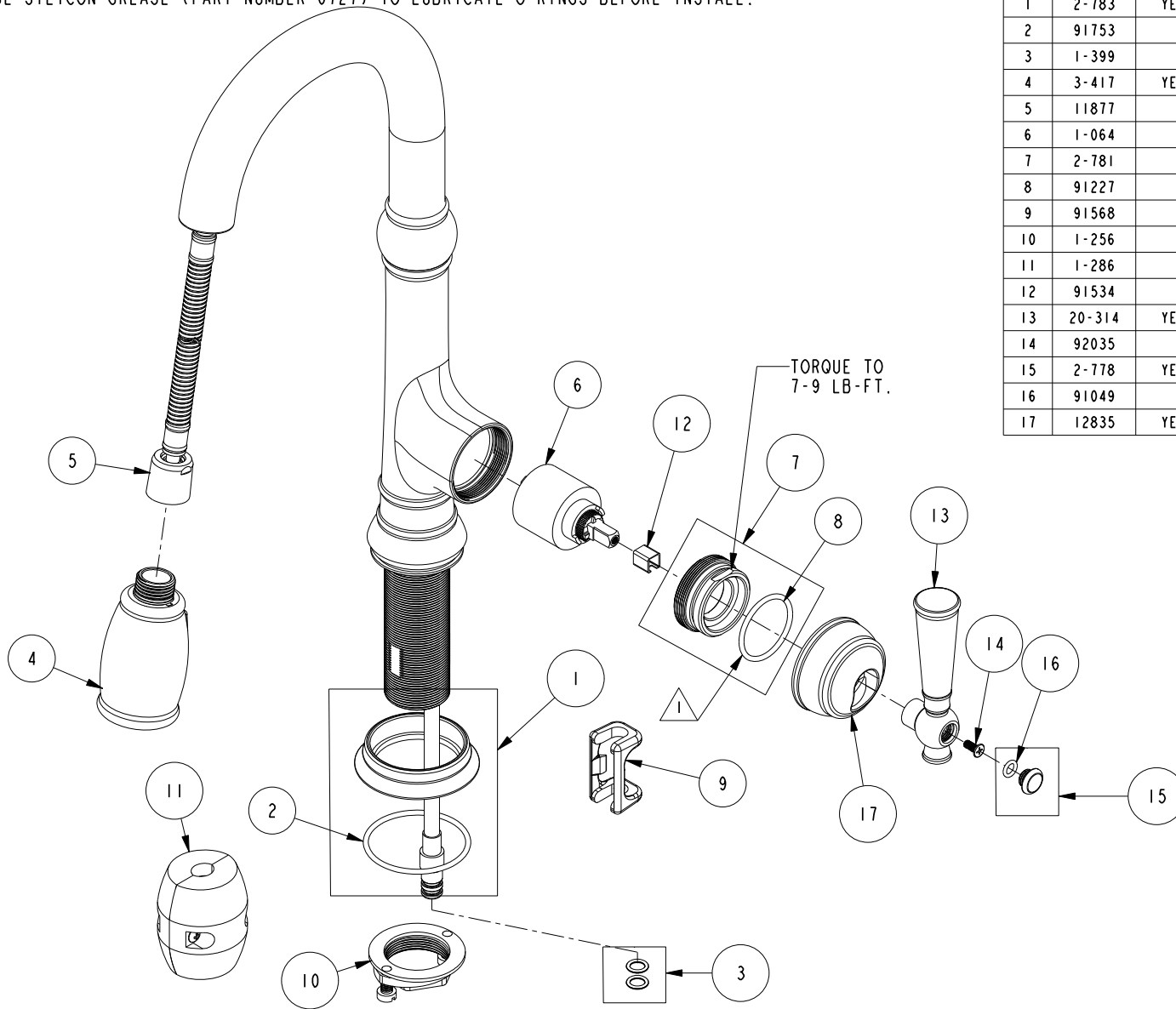


REPLACEMENT PARTS

NOTE:

1 USE SILICON GREASE (PART NUMBER 6727) TO LUBRICATE O-RINGS BEFORE INSTALL.



ITEM	PT/ASSY	SPECIFY FINISH	DESCRIPTION
1	2-783	YES	BASE RING ASM
2	91753		O-RING, # 2-136, EP, 50 DURO - GREY
3	1-399		O-RING KIT FOR SPOUT PEX CONECTION
4	3-417	YES	SPRAY HEAD, JACOBAN
5	11877		HOSE, PULLDOWN SWIVEL
6	1-064		SINGLE LEVER CARTRIDGE
7	2-781		CART. RETAINER ASM
8	91227		O-RING, #2-125 EPDM
9	91568		RETAINER CLIP
10	1-256		MOUNTING KIT
11	1-286		WEIGHT ASM
12	91534		CARTRIDGE STEM INSERT
13	20-314	YES	HANDLE LEVER ASM
14	92035		SCRW, M4 X .7 X 10 PHL FLT HD SS
15	2-778	YES	CAP ASM
16	91049		O-RING, #2-010, EPDM, 65-75 DURO, NSF 61
17	12835	YES	HANDLE HUB

JACOBAN PULL DOWN - KITCHEN FAUCET
2470-5223

REV V EN-4766 01/17/24 APPROVED RS

NEWPORT BRASS.

t: 949.417.5207 | www.newportbrass.com