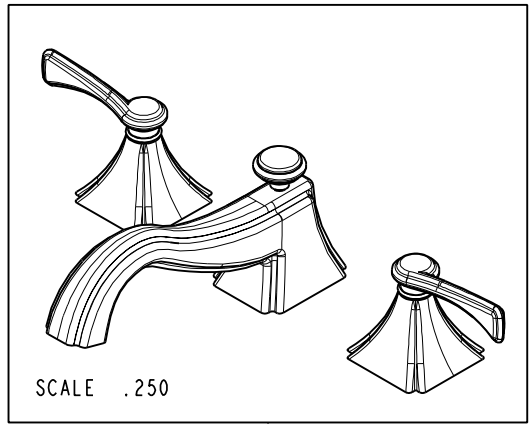


NOTES:

(N1) 1. FIT / FORM / FUNCTION SHALL FOLLOW PS-E.008.

**BILL OF MATERIAL (CURRENT LEVEL)**

ITEM	PT/ASSY	DESCRIPTION	TYPE	QTY.
1	1-724	W/S VALVE ASM	ASSEMBLY	1
2	3-604	LEVER HANDLE ASM - COLD	ASSEMBLY	1
3	3-605	LEVER HANDLE ASM - HOT	ASSEMBLY	1
4	8-108	CIRCE W/S SPOUT ASM	ASSEMBLY	1
5	325	POP UP ASSEMBLY	ASSEMBLY	1
6	10288	3/16" POP UP ROD	PART	1
7	80005	POP UP KNOB, ROUND	PART	1
8	91100	O-RING, #2-006, EPDM, 65-75 DURO	PART	1
9	91379	AERATOR KEY	PART	1



ZONE	REV	DESCRIPTION	DATE	APPROVED
-	C	EN-3435	01/16/18	J.A.
-	B	EN-3129	08/26/16	V.V.
-	A	EN-2639	11/14/13	-
-	-	EN-1735	06/10/11	-

COPYRIGHT 2005 BRASSTECH, INC. THESE DRAWINGS AND THE DESIGNS DEPICTED HEREIN ARE THE PROPRIETARY PROPERTY OF BRASSTECH. ANY USE OR REPRODUCTION IS SUBJECT TO THE EXPRESS APPROVAL OF BRASSTECH. UNAUTHORIZED USE IS STRICTLY PROHIBITED. ALL RIGHTS RESERVED.

TESTING	ASSEMBLY	PLATING	POLISHING	MACHINING	TOOLING	FIXTURE #	APPLICATION
-	-	-	-	-	-	-	REMOVE ALL BURRS AND SHARP EDGES

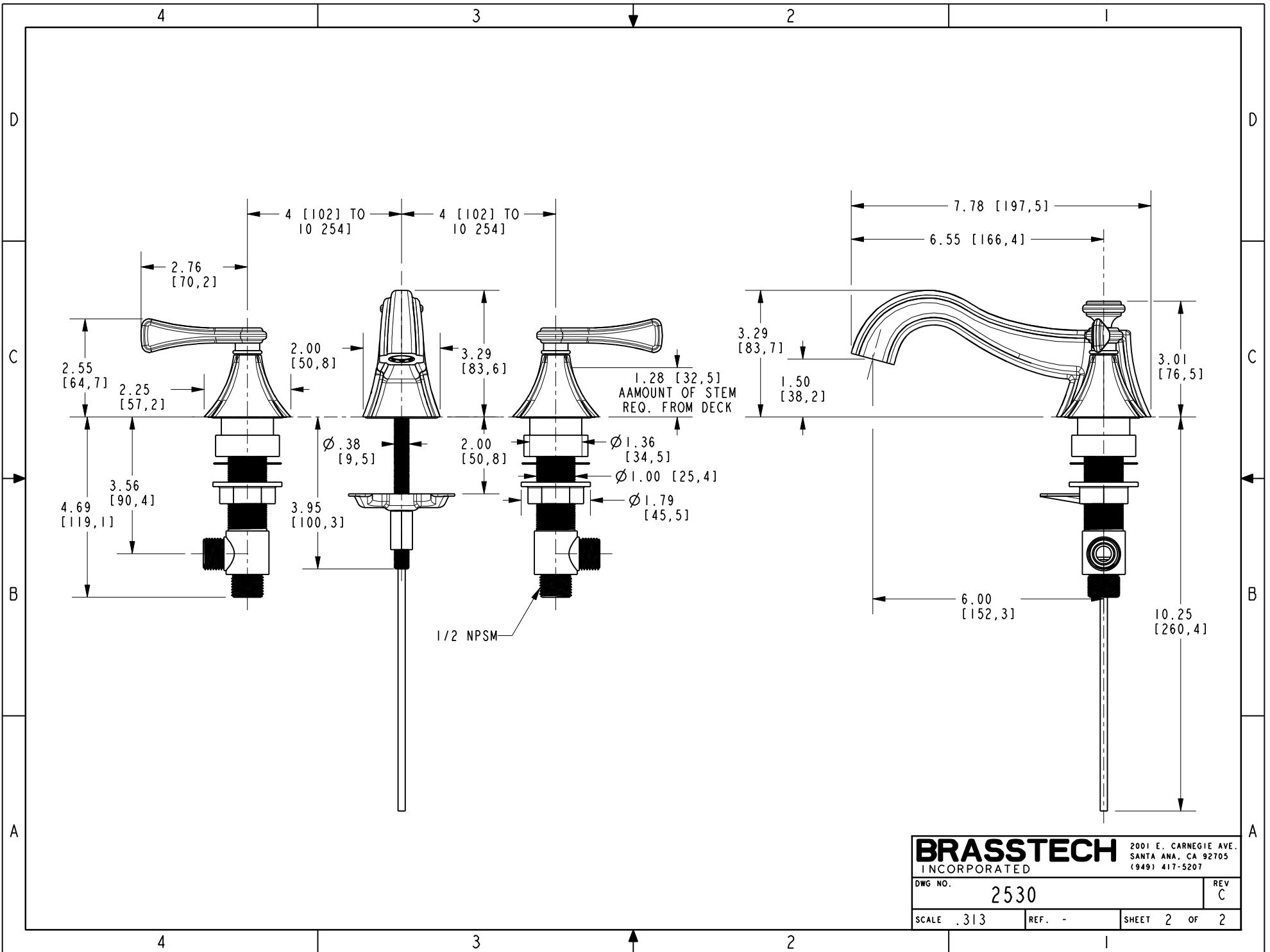
UNITS ARE: INCHES [MM]	
TOLERANCES ARE:	
FRACTIONS DECIMALS	ANGLES
±1/16"	±1°
.X ±.1 [2,5]	
.XX ±.06 [1,5]	
(X.XXX) DENOTES CRITICAL DIMS. ALL THREADS ARE CRITICAL	
DRAWN	JINSON 01/16/18
CHECKED	J.A. 01/16/18
APPROVED	J.A. 01/16/18

**BRASSTECH** 2001 CARNEGIE AVE. SANTA ANA, CA 92705 (949) 417-5207  
INCORPORATED

W/S LAVATORY FAUCET - LEVER HANDLES

DWG NO. **2530** REV **C**

SCALE .200 REF. - SHEET 1 OF 2



**BRASSTECH** 2001 E. CARNEGIE AVE.  
 INCORPORATED SANTA ANA, CA 92705  
 (949) 417-5207

DWG NO.	2530	REV	C
SCALE	.313	REF.	-
SHEET 2		OF 2	