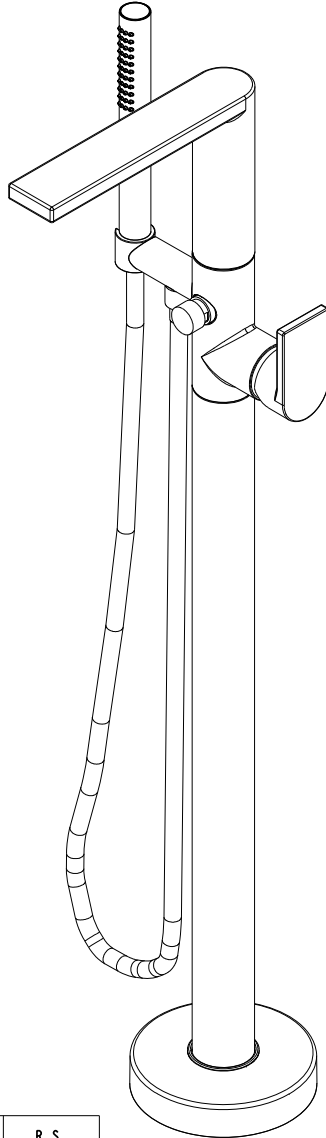


NOTES:

(N2) 1. TO INSPECT ASSEMBLY, FOLLOW FIRST ARTICLE AND IN PROCESS INSPECTION SHEET.



BILL OF MATERIAL (CURRENT LEVEL)

ITEM	PT/ASSY	DESCRIPTION	TYPE	QTY.
1	12187	BODY	PART	1
2	20-233A	SPOUT ASM	ASSEMBLY	1
3	92308	SCRW, M5 X 5 SKT HD CUP PT SS	PART	2
4	10159	HEX KEY, 3/32 ALLOY STEEL	PART	1
5	20-260	DIVERTER ASM	ASSEMBLY	1
6	20-259	DIVERTER ASM	ASSEMBLY	1
7	12191	DIVERTER BUTTON	PART	1
8	12175	HAND SHWR HOLDER	PART	1
9	92821	SCREW	PART	1
10	1-292	CARTRIDGE	ASSEMBLY	1
11	12180	RETAINER CART. NUT	PART	1
12	12181	CAP, CARTRIDGE	PART	1
13	12197	HANDLE	PART	1
14	20-310	BODY ASM	ASSEMBLY	1
15	3-460	BASE COVER ASM	ASSEMBLY	1
16	283-101	ROUND WAND HANDSHOWER	ASSEMBLY	1
17	3-459	HAND SHOWER ASM	ASSEMBLY	1
18	12184	WATER SUPPLY HOSE	ASSEMBLY	2
19	12257	1/2 X 3/4 NPSM THD ADAPTER	PART	2
20	284	SHOWER HOSE	PART	1
21	91017	O-RING, #2- 012, EPDM, 65-75 DURO, NSF 61	PART	1
22	12189	ADAPTER	PART	1
23	92070	SCRW, #14 X 2 SLT FLT HD SS	PART	3
24	91368	WALL ANCHOR PLASTIC, 12-1/4	PART	3
25	98044	LABEL - HOT	PART	1
26	98155	WARNING LABEL	PART	1

ZONE	REV	DESCRIPTION	DATE	APPROVED
-	D	EN-4522	06/16/22	R. S.
-	C	EN-4327	04/06/21	V. V.
-	B	EN-4223-2	01/06/21	V. V.
-	A	EN-3409	6/26/19	J. A.
-	-	EN-3015	9/15/17	J. A.

COPYRIGHT 2005 BRASSTECH, INC. THESE DRAWINGS AND THE DESIGNS DEPICTED HEREIN ARE THE PROPRIETARY PROPERTY OF BRASSTECH. ANY USE OR REPRODUCTION IS SUBJECT TO THE EXPRESS APPROVAL OF BRASSTECH. UNAUTHORIZED USE IS STRICTLY PROHIBITED. ALL RIGHTS RESERVED.

TESTING	-	-	-
ASSEMBLY	-	-	-
PLATING	-	-	-
POLISHING	-	NEXT ASSY	USED ON
MACHINING	-	APPLICATION	
TOOLING FIXTURE #	REMOVE ALL BURRS AND SHARP EDGES		

UNITS ARE: INCHES [MM]		
TOLERANCES ARE:		
FRACTIONS	DECIMALS	ANGLES
±1/16"	.X ±.1 [2.5]	±1°
	.XX ±.06 [1.5]	
(X.XXX) DENOTES CRITICAL DIMS. ALL THREADS ARE CRITICAL		
DRAWN	H. LE	12/01/16
CHECKED	V. VU	12/01/16
APPROVED	V. VU	12/01/16

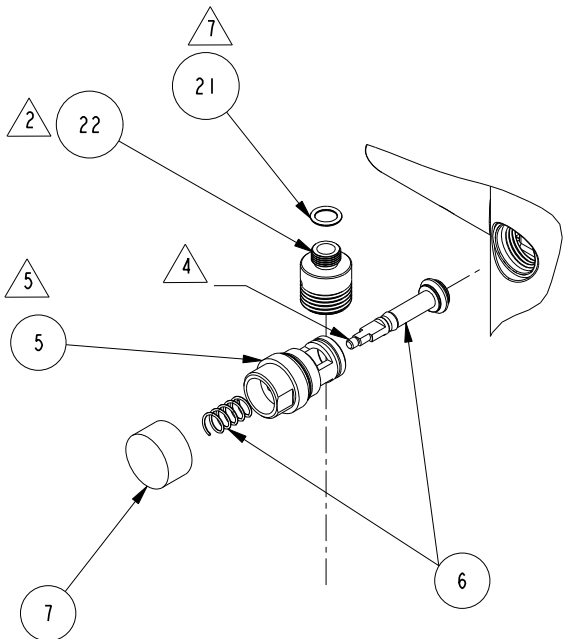
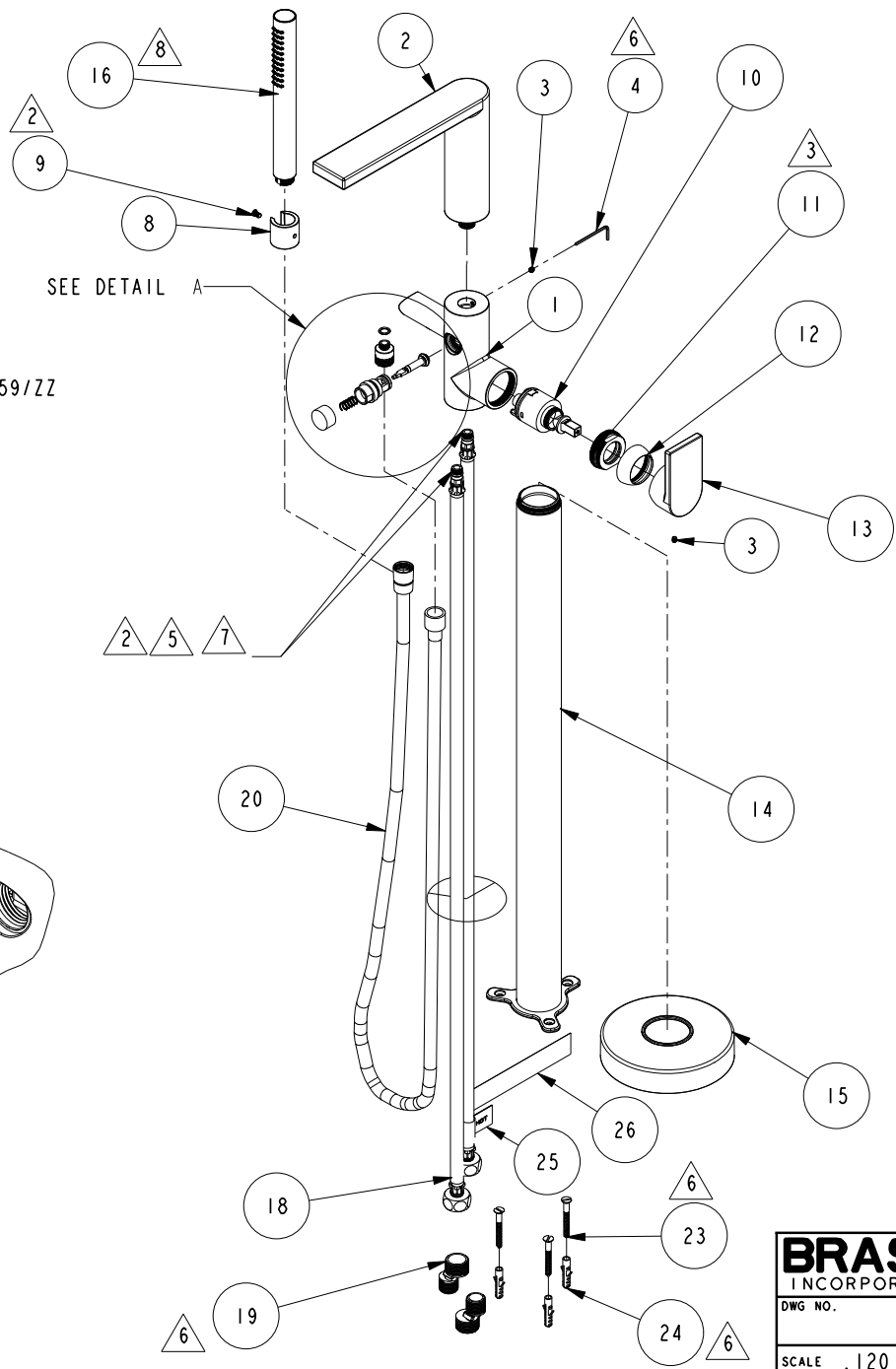
BRASSTECH 2001 CARNEGIE AVE. SANTA ANA, CA 92705 (949) 417-5207
INCORPORATED

TUB FILLER, FREE STANDING

DWG NO.	2560-4261	REV	D
SCALE	0.165	REF.	SHEET OF 8

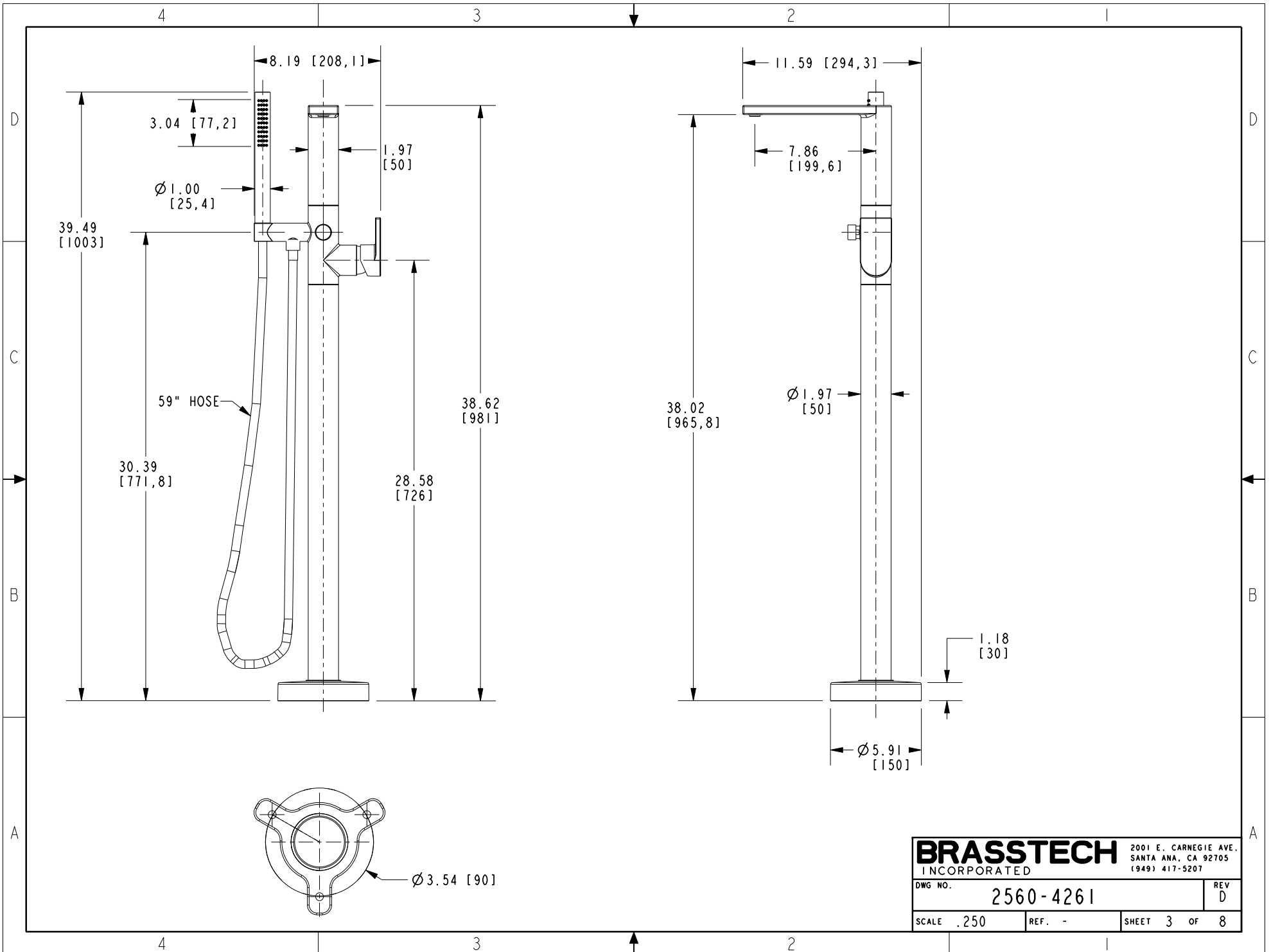
NOTES:

- 2. APPLY LOCTITE 680
- 3. TORQUE TO 7.5-8.5 LB-FT.
- 4. APPLY LOCTITE 242, IF SCREW DOES NOT HAVE BYLON PATCH.
- 5. TORQUE TO 18-20 LB-IN.
- 6. PLACE THESE ITEMS IN SEPARATE PLASTIC BAGS.
- 7. APPLY A THIN COAT OF SILICON GREASE
- 8. FOR PURCHASED FINISHES SEE PART NUMBER 3-459/ZZ



DETAIL A
SCALE 0.325

BRASSTECH		2001 E. CARNEGIE AVE. SANTA ANA, CA 92705 (949) 417-5207	
DWG NO.	2560-4261	REV	D
SCALE	.120	REF.	-
		SHEET	2 OF 8



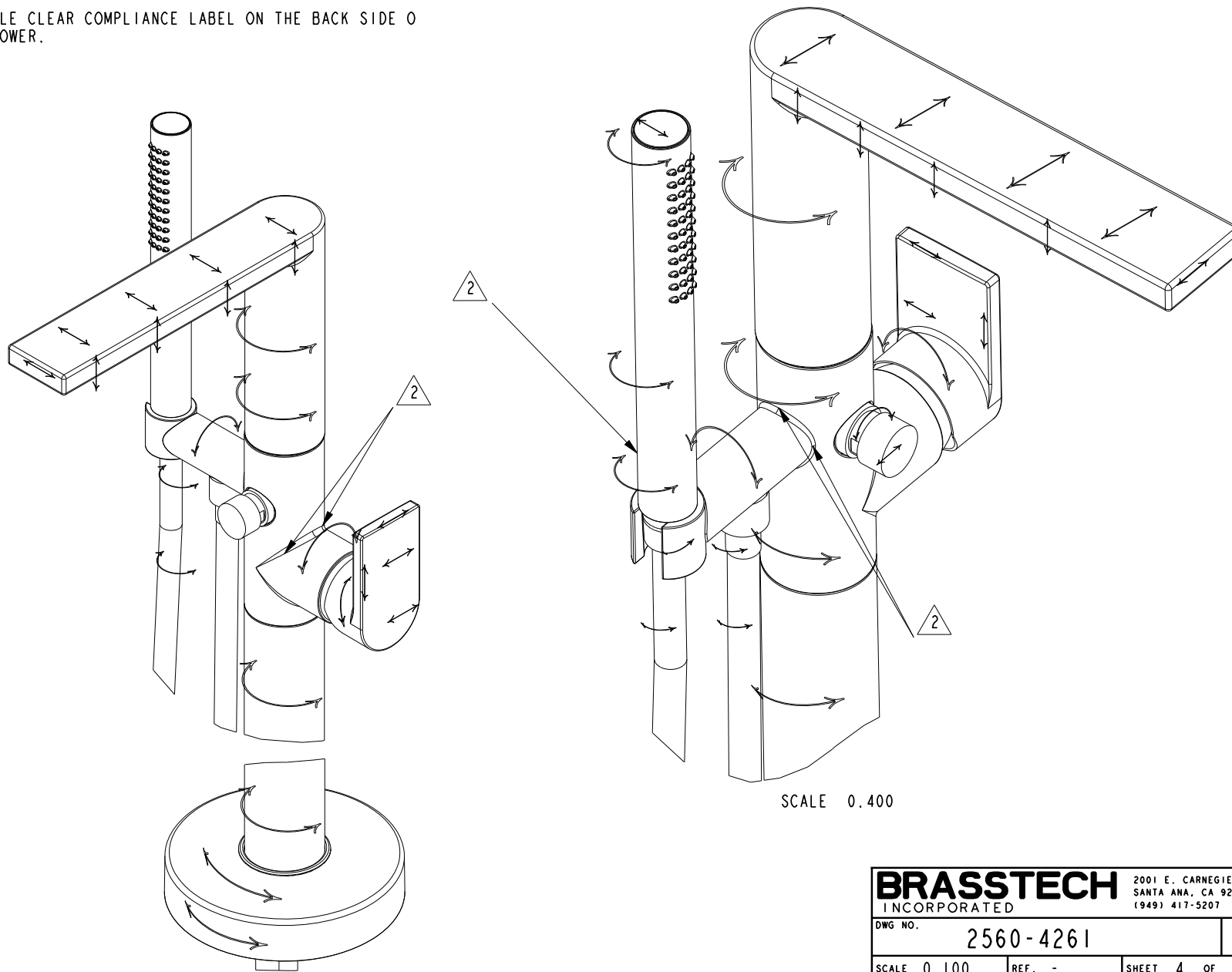
BRASSTECH		2001 E. CARNEGIE AVE. SANTA ANA, CA 92705 (949) 417-5207	
DWG NO.	2560-4261	REV	D
SCALE	.250	REF.	-
		SHEET	3 OF 8

NOTES:

1. \longleftrightarrow INDICATES STROKE DIRECTION FOR SATIN FINISHES ONLY.

2. SAND BLAST THIS SURFACE.

3. APPLY APPLICABLE CLEAR COMPLIANCE LABEL ON THE BACK SIDE OF THE HAND SHOWER.

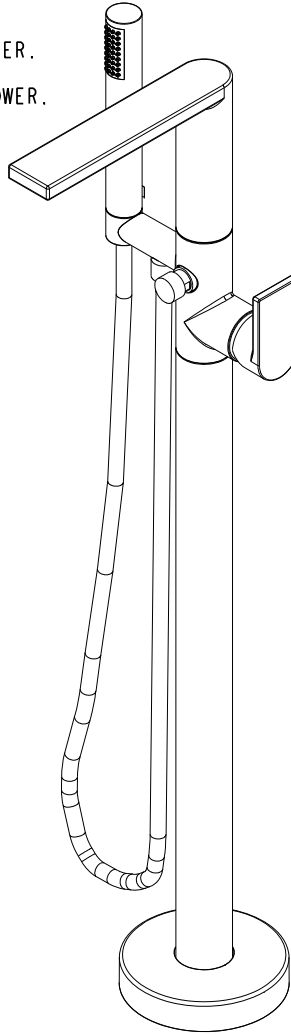


SCALE 0.400

BRASSTECH		2001 E. CARNEGIE AVE. SANTA ANA, CA 92705 (949) 417-5207	
DWG NO.	2560-4261	REV	D
SCALE	0.100	REF.	-
		SHEET	4 OF 8

NOTES:

- (N2) 1. TO INSPECT ASSEMBLY, FOLLOW FIRST ARTICLE AND IN PROCESS INSPECTION SHEET.
- 2. APPLY LOCTITE 680.
- 3. APPLY LABEL 98045 ON THE BACK SIDE OF THE TUB FILLER.
- 4. APPLY LABEL 98136 ON THE BACK SIDE OF THE HAND SHOWER.
- 5. MARKING: "H C" (H ON TOP, C AT BOTTOM).
- 6. THESE HOSE CAN BE REPLACED WITH 284.



BILL OF MATERIAL (CURRENT LEVEL)

ITEM	PT/ASSY	DESCRIPTION	TYPE	QTY.
1	2-933	BODY	ASSEMBLY	1
2	12175	HAND SHWR HOLDER	PART	1
3	92821	SCREW	PART	1
4	2-914	DIVERTER ASM	ASSEMBLY	1
5	12191	DIVERTER BUTTON	PART	1
6	1-292	CARTRIDGE	ASSEMBLY	1
7	12180	RETAINER CART. NUT	PART	1
8	12181	CAP, CARTRIDGE	PART	1
9	12197	HANDLE	PART	1
10	92826	SET SCREW, M5 x 0.8 x 5	PART	1
11	12184	WATER SUPPLY HOSE	ASSEMBLY	2
12	3-454	BODY ASM	ASSEMBLY	1
13	3-459	HAND SHOWER ASM	ASSEMBLY	1
14	12186	SHOWER HOSE	PART	1
15	3-460	BASE COVER ASM	ASSEMBLY	1
16	12257	1/2 X 3/4 NPSM THD ADAPTER	PART	2
17	20-233A	SPOUT ASM	ASSEMBLY	1
18	92308	SCRW, M5 X 5 SKT HD CUP PT SS	PART	1
19	91797	AERATOR KEY	PART	1
20	92830	HEX KEY	PART	1
21	1-293	MOUNTING SCREW SET	ASSEMBLY	1
22	98045	LABEL	PART	1
23	98136	LABEL	PART	1

ZONE	REV	DESCRIPTION	DATE	APPROVED
-	D	EN-4522	06/16/22	R.S.
-	C	EN-4327	04/06/21	V.V.
-	B	EN-4223-2	01/06/21	V.V.
-	A	EN-3409	6/26/19	J.A.
-	-	EN-3015	9/15/17	J.A.

COPYRIGHT 2005 BRASSTECH, INC. THESE DRAWINGS AND THE DESIGNS DEPICTED HEREIN ARE THE PROPRIETARY PROPERTY OF BRASSTECH. ANY USE OR REPRODUCTION IS SUBJECT TO THE EXPRESS APPROVAL OF BRASSTECH. UNAUTHORIZED USE IS STRICTLY PROHIBITED. ALL RIGHTS RESERVED.

TESTING	-	-	-
ASSEMBLY	-	-	-
PLATING	-	-	-
POLISHING	-	NEXT ASSY	USED ON
MACHINING	-	APPLICATION	
TOOLING FIXTURE #	REMOVE ALL BURRS AND SHARP EDGES		

UNITS ARE: INCHES [MM]
TOLERANCES ARE:
FRACTIONS DECIMALS ANGLES
±1/16" .X ±.1 [2.5]
.XX ±.06 [1.5] ±°

(X.XXX) DENOTES CRITICAL DIMS.
ALL THREADS ARE CRITICAL

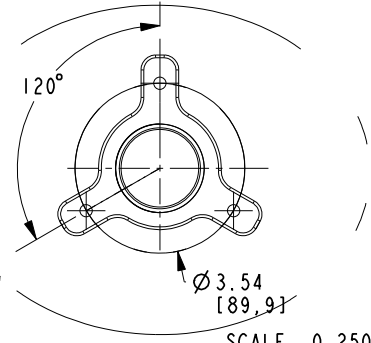
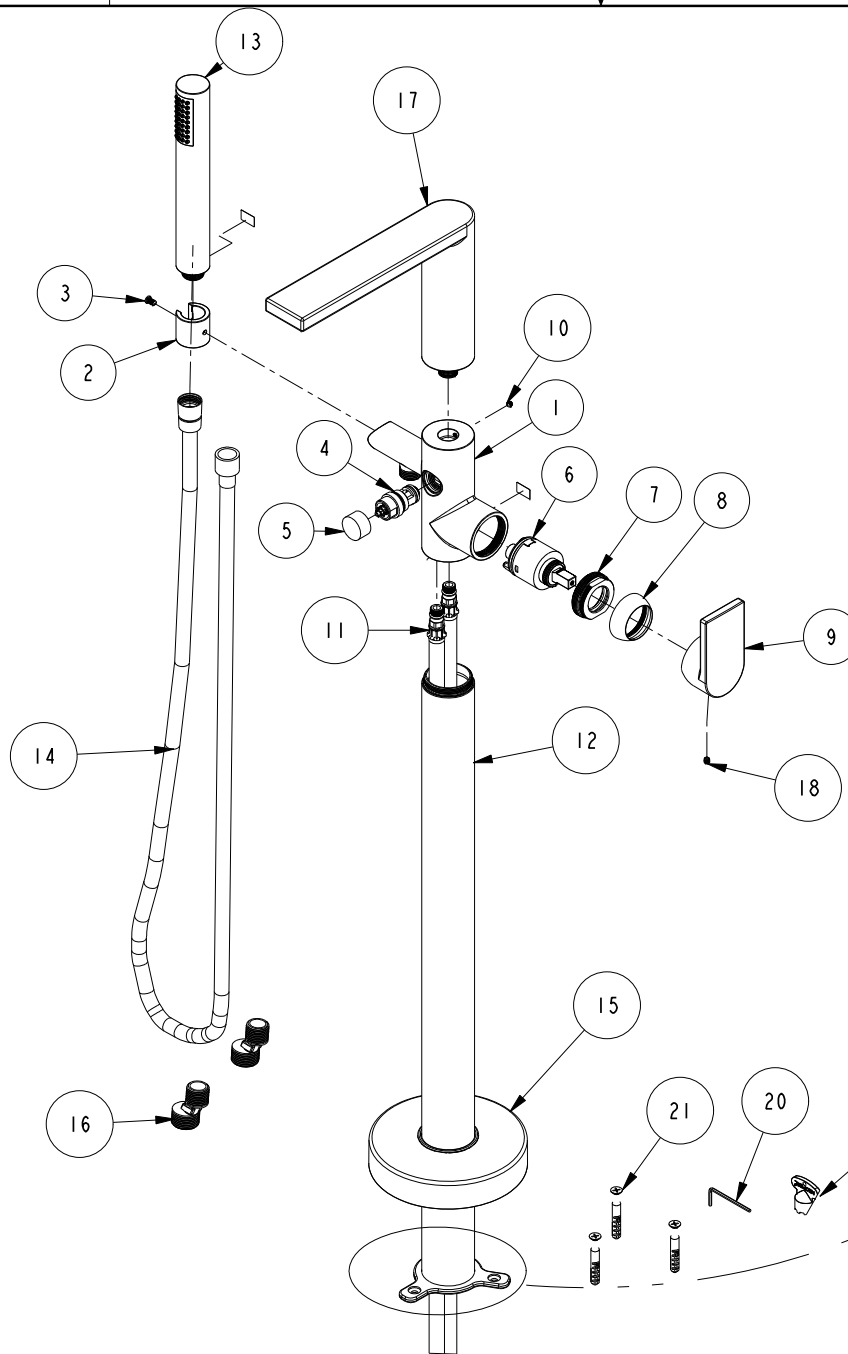
DRAWN	H.-LE	12/01/16
CHECKED	V.-VU	12/01/16
APPROVED	V.-VU	12/01/16

BRASSTECH 2001 CARNEGIE AVE.
INCORPORATED SANTA ANA, CA 92705
(949) 417-5207

TUB FILLER, FREE STANDING

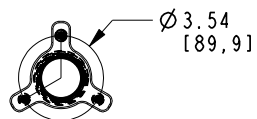
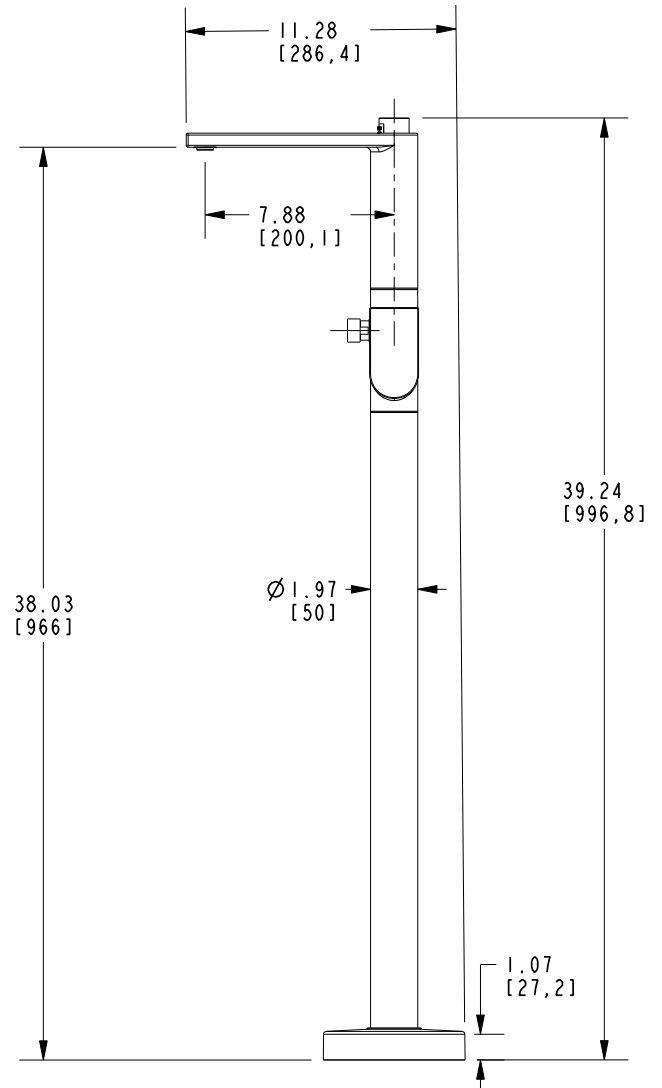
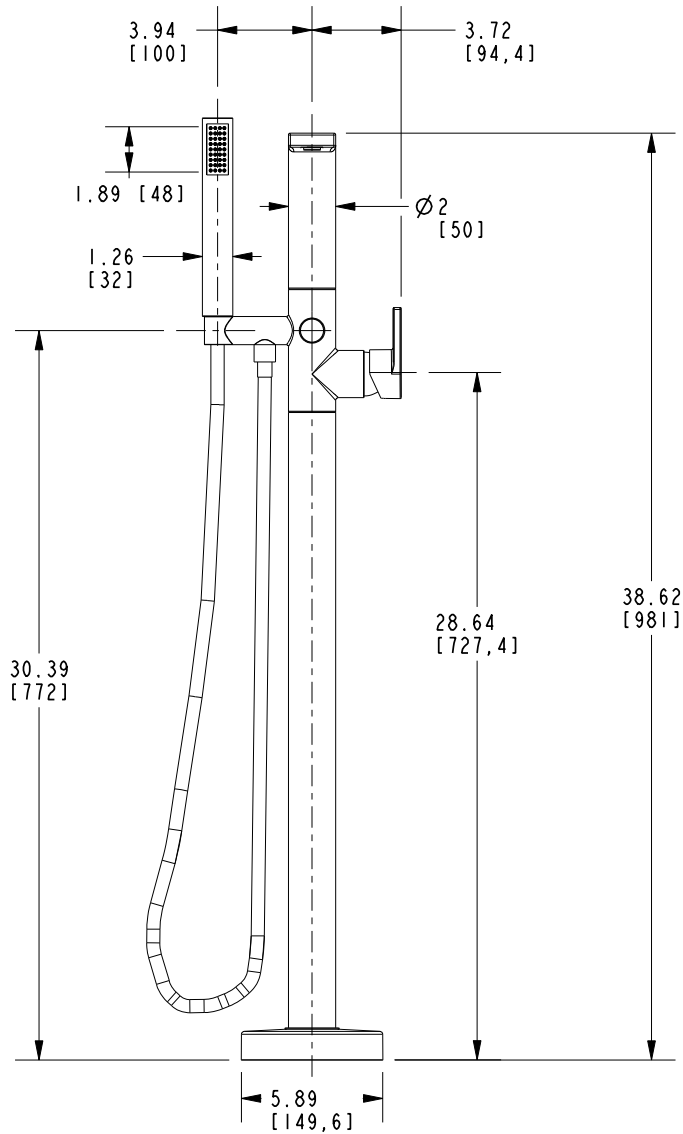
DWG NO. **2560-4261** REV **D**

SCALE 0.100 REF. - SHEET 5 OF 8



SCALE 0.250

BRASSTECH		2001 E. CARNEGIE AVE. SANTA ANA, CA 92705 (949) 417-5207	
DWG NO.	2560-4261	REV	-
SCALE 0.140	REF. -	SHEET 6	OF 8

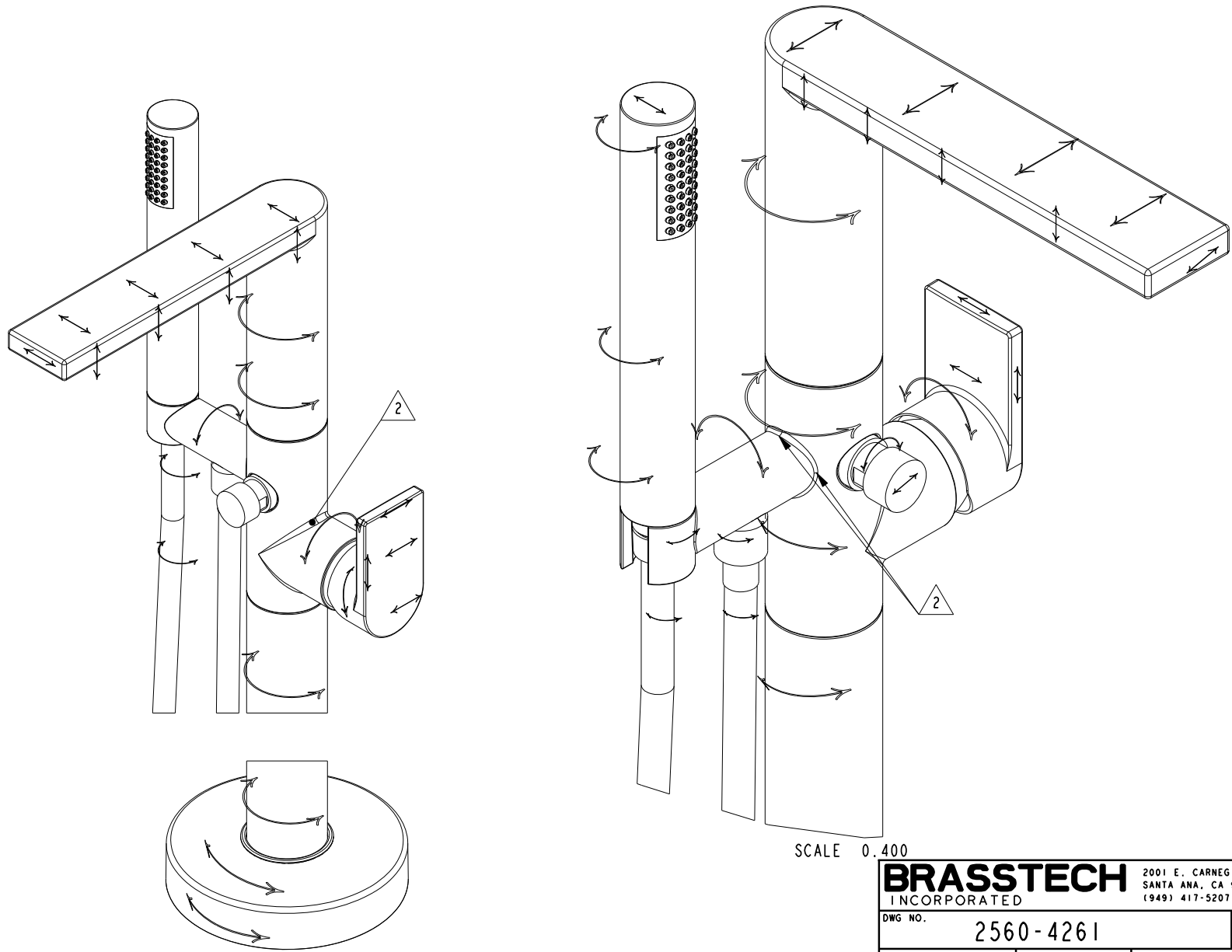


BRASSTECH		2001 E. CARNEGIE AVE. SANTA ANA, CA 92705 (949) 417-5207	
DWG NO.	2560-4261	REV	-
SCALE	0.125	REF.	SHEET 7 OF 8

NOTES:

1. \longleftrightarrow INDICATES STROKE DIRECTION FOR SATIN FINISHES ONLY.

2. \triangle SAND BLAST THIS SURFACE.



SCALE 0.400

BRASSTECH		2001 E. CARNEGIE AVE. SANTA ANA, CA 92705 (949) 417-5207	
DWG NO.	2560-4261	REV	-
SCALE 0.275	REF. -	SHEET 8	OF 8