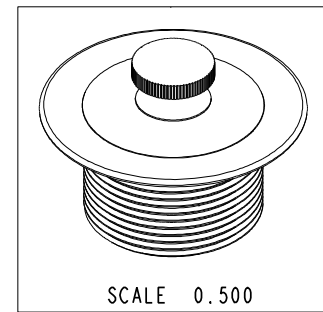
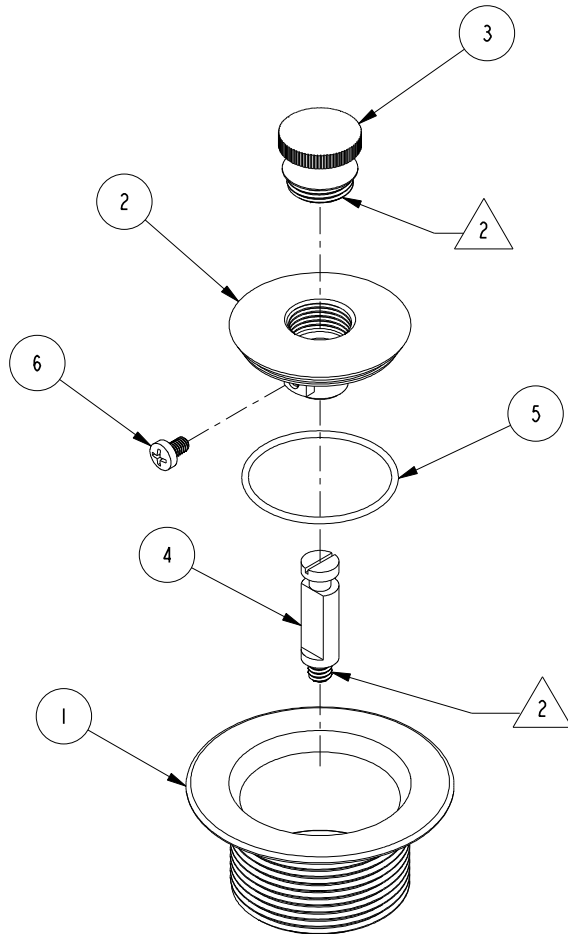


NOTES:

1. TO INSPECT ASSEMBLY, FOLLOW FIRST ARTICLE AND IN PROCESS INSPECTION SHEET.
2. APPLY ADHESIVE LOCTITE 680 OR EQUIVALENT.



| BILL OF MATERIAL (CURRENT LEVEL) |         |  |      |      |  |
|----------------------------------|---------|--|------|------|--|
| ITEM                             | PT/ASSY | DESCRIPTION                              | TYPE | QTY. |  |
| 1                                | 50268   | BODY FOR 270                             | PART | 1    |  |
| 2                                | 50269   | STOPPER LIFT & TURN                      | PART | 1    |  |
| 3                                | 50270   | KNOB                                     | PART | 1    |  |
| 4                                | 50625   | STOPPER POST                             | PART | 1    |  |
| 5                                | 91159   | O-RING, #2-029, EPDM, 65-75 DURO, NSF 61 | PART | 1    |  |
| 6                                | 92130   | SCRW, M4 X .7 X 7 PHIL PAN HD SS         | PART | 1    |  |

| ZONE | REV | DESCRIPTION | DATE     | APPROVED |
|------|-----|-------------|----------|----------|
| -    | F   | EN-430011   | 10/21/21 | R. S.    |
| -    | E   | EN-4134     | 03/12/20 | C. G.    |
| -    | D   | EN-3722     | 02/08/19 | C. G.    |
| -    | C   | EN-2975     | 11/13/15 | V. V.    |
| -    | B   | EN-2347     | 11/20/14 | J. M.    |

COPYRIGHT 2005 BRASSTECH, INC. THESE DRAWINGS AND THE DESIGNS DEPICTED HEREIN ARE THE PROPRIETARY PROPERTY OF BRASSTECH. ANY USE OR REPRODUCTION IS SUBJECT TO THE EXPRESS APPROVAL OF BRASSTECH. UNAUTHORIZED USE IS STRICTLY PROHIBITED. ALL RIGHTS RESERVED.

| TESTING           | -                                | -           | -       |
|-------------------|----------------------------------|-------------|---------|
| ASSEMBLY          | -                                | -           | -       |
| PLATING           | -                                | 250         | 250     |
| POLISHING         | -                                | NEXT ASSY   | USED ON |
| MACHINING         | -                                | APPLICATION |         |
| TOOLING FIXTURE # | REMOVE ALL BURRS AND SHARP EDGES |             |         |

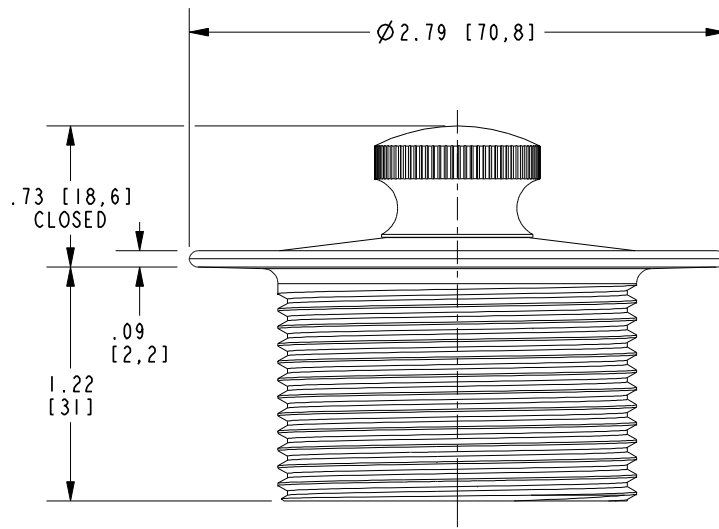
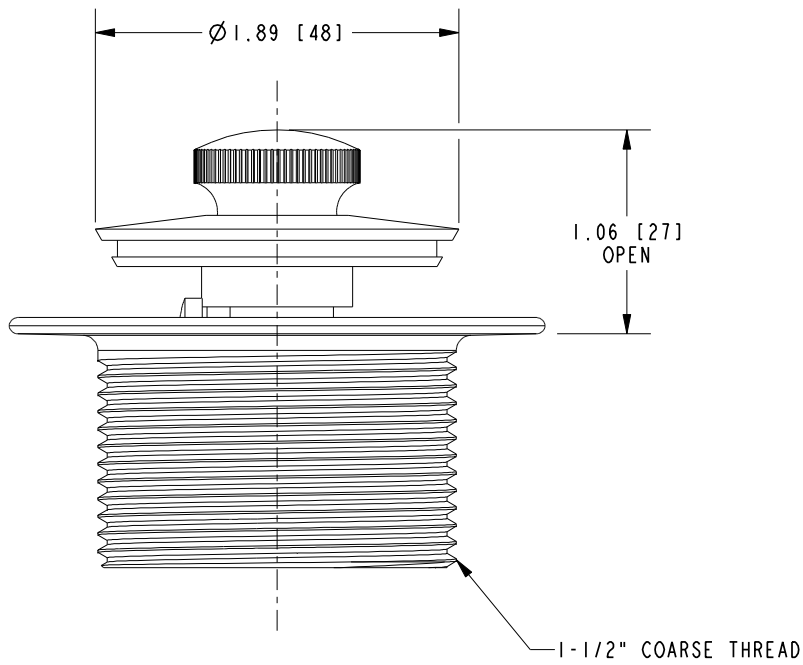
| UNITS ARE: INCHES [MM]                                  |                |          |
|---|----------------|----------|
| TOLERANCES ARE:   |                |          |
| FRACTIONS   | DECIMALS       | ANGLES   |
| ±1/16"  | .X ±.1 [2.5]   | ±1°      |
|   | .XX ±.06 [1.5] |          |
| (X.XXX) DENOTES CRITICAL DIMS. ALL THREADS ARE CRITICAL |                |          |
| DRAWN   | JIMSON         | 02/08/19 |
| CHECKED   | C.G.           | 02/08/19 |
| APPROVED  | C.G.           | 02/08/19 |

**BRASSTECH** 2001 CARNEGIE AVE. SANTA ANA, CA 92705 (949) 417-5207  
INCORPORATED

**LIFT & TURN BATH PLUG**

DWG NO. **270** REV **F**

SCALE 0.500 REF. - SHEET 1 OF 2



|                  |       |  |        |
|------------------|-------|--|--------|
| <b>BRASSTECH</b> |       | 2001 E. CARNEGIE AVE.<br>SANTA ANA, CA 92705<br>(949) 417-5207 |        |
| INCORPORATED     |       |  |        |
| DWG NO.          | 270   | REV  | F      |
| SCALE            | 1.000 | REF.   | -      |
|                  |       | SHEET  | 2 OF 2 |