

4

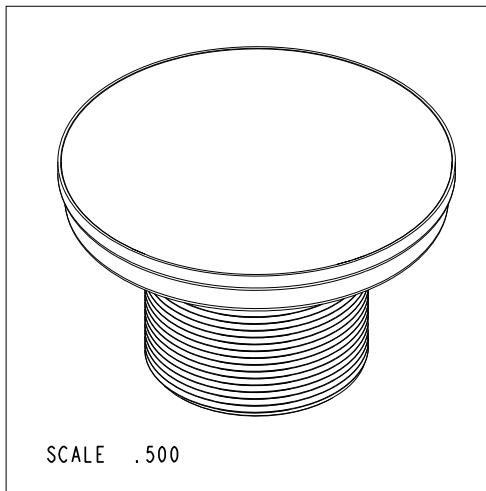
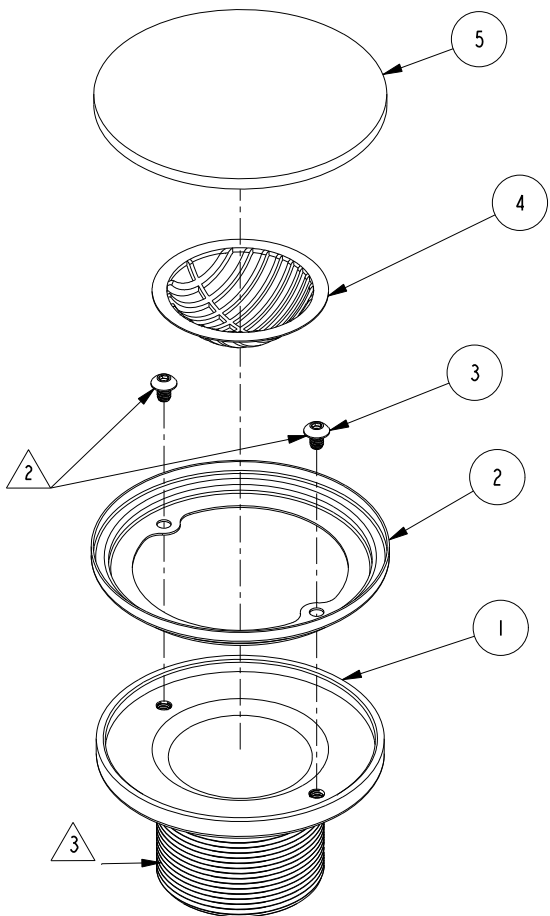
3

2

NOTES:

- (N1) 1. FIT / FORM / FUNCTION SHALL FOLLOW PS-E.008.
- (N2) 2. TORQUE REQUIRED TO TIGHTEN THE SCREW 24-26 LB-IN
- (N3) 3. 2-11 1/2 NPSM
EXT. MAJOR DIA. MAX 2.332 MIN. 2.320
EXT. PITCH DIA. MAX. 2.275 MIN. 2.269

BILL OF MATERIAL (CURRENT LEVEL)				
ITEM	PT/ASSY	DESCRIPTION	TYPE	QTY.
1	51000	4" ROUND DRAIN THROAT	PART	1
2	51001	ROUND FLANGE	PART	1
3	92498	SCRW, 10-24 X 1/4 SKT BUTTON HD SS	PART	2
4	12802	2" DOME STRAINER	PART	1
5	51002	ROUND ABS COVER	PART	1



-	C	EN-3370a	12/21/17	J.M.
-	B	EN-3328	06/07/17	J.M.
-	A	EN-3052	06/06/16	R.S
-	-	EN-2873	08/20/15	J.M.
ZONE	REV	DESCRIPTION	DATE	APPROVED

COPYRIGHT 2005 BRASSTECH, INC. THESE DRAWINGS AND THE DESIGNS DEPICTED HEREIN ARE THE PROPRIETARY PROPERTY OF BRASSTECH. ANY USE OR REPRODUCTION IS SUBJECT TO THE EXPRESS APPROVAL OF BRASSTECH. UNAUTHORIZED USE IS STRICTLY PROHIBITED. ALL RIGHTS RESERVED.

TESTING	-	-	-
ASSEMBLY	-	-	-
PLATING	-	-	-
POLISHING	-	NEXT ASSY	USED ON
MACHINING	-	APPLICATION	
TOOLING	FIXTURE #	REMOVE ALL BURRS AND SHARP EDGES	

UNITS ARE: INCHES [MM]	
TOLERANCES ARE:	
FRACTIONS DECIMALS	ANGLES
±1/16"	±1°
.X ±.1 [2.5]	
.XX ±.06 [1.5]	
(X.XXX) DENOTES CRITICAL DIMS. ALL THREADS ARE CRITICAL	
DRAWN	AMARISH 06/06/16
CHECKED	RAVINDRA 06/06/16
APPROVED	R.S 06/06/16

BRASSTECH 2001 CARNEGIE AVE. SANTA ANA, CA 92705 (949) 417-5207
INCORPORATED

4" THROAT WITH 2" OUTLET

DWG NO. 277-03

SCALE .375 REF. - SHEET | OF |

4

3

2