

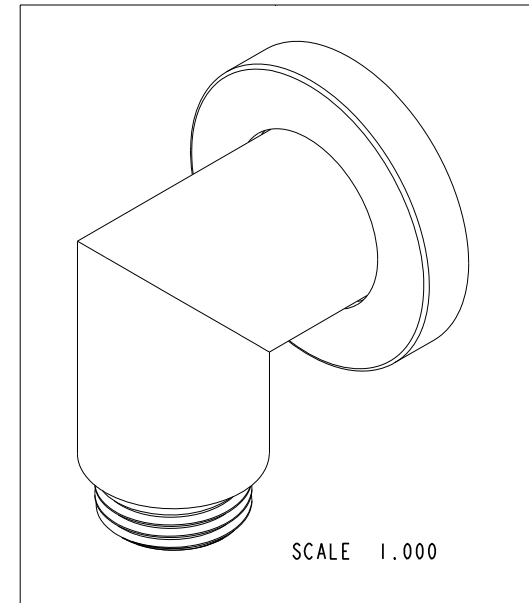
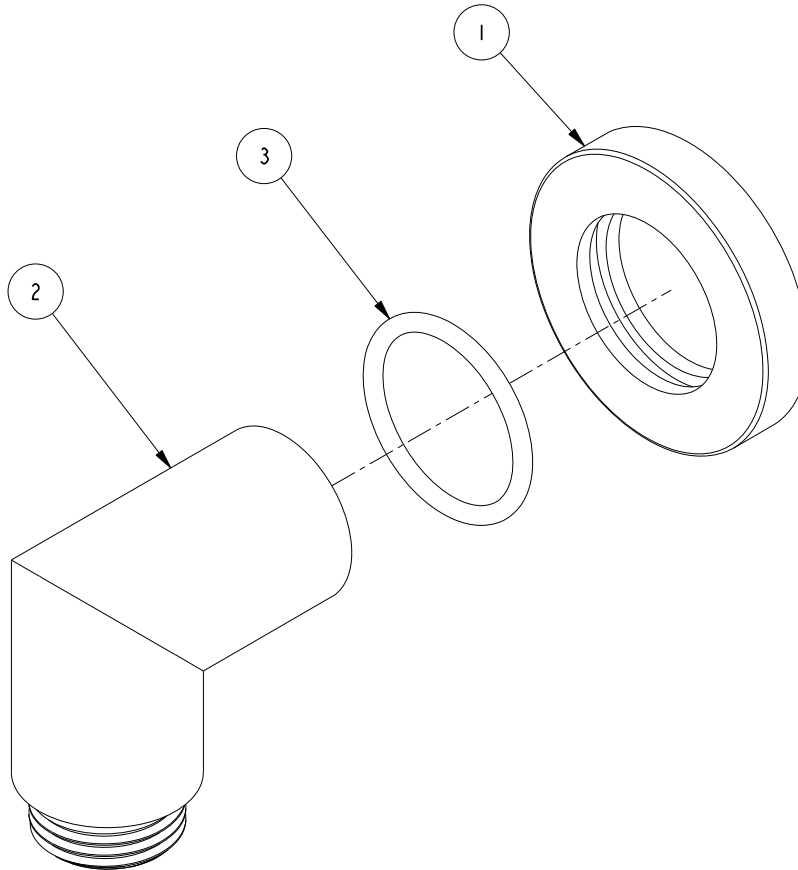
NOTES:

1. FIT / FORM / FUNCTION SHALL FOLLOW PS-E.008.

APPLY THIN COAT OF SILICON GREASE ONTO ALL 'O' RINGS BEFORE INSTALLATION

**BILL OF MATERIAL (CURRENT LEVEL)**

ITEM	PT/ASSY	DESCRIPTION	TYPE	QTY.
1	13152	ESCUTCHEON-SHOWER SET	PART	1
2	80048	SUPPLY ELBOW	PART	1
3	91073	O-RING, #2-120, EPDM, 65-75 DURO	PART	1



TESTING	-	-	-
ASSEMBLY	-	-	-
PLATING	-	-	-
POLISHING	-	NEXT ASSY	USED ON
MACHINING	-	APPLICATION	
TOOLING FIXTURE #	REMOVE ALL BURRS AND SHARP EDGES		

UNITS ARE: INCHES [MM]  
 TOLERANCES ARE:  
 FRACTIONS DECIMALS ANGLES  
 $\pm 1/16"$  .X  $\pm .1$  [2.5]  $\pm 1^\circ$   
 .XX  $\pm .06$  [1.5]  
 (X.XXX) DENOTES CRITICAL DIMS.  
 ALL THREADS ARE CRITICAL

**BRASSTECH** 2001 CARNEGIE AVE.  
 INCORPORATED SANTA ANA, CA 92705  
 (949) 417-5207

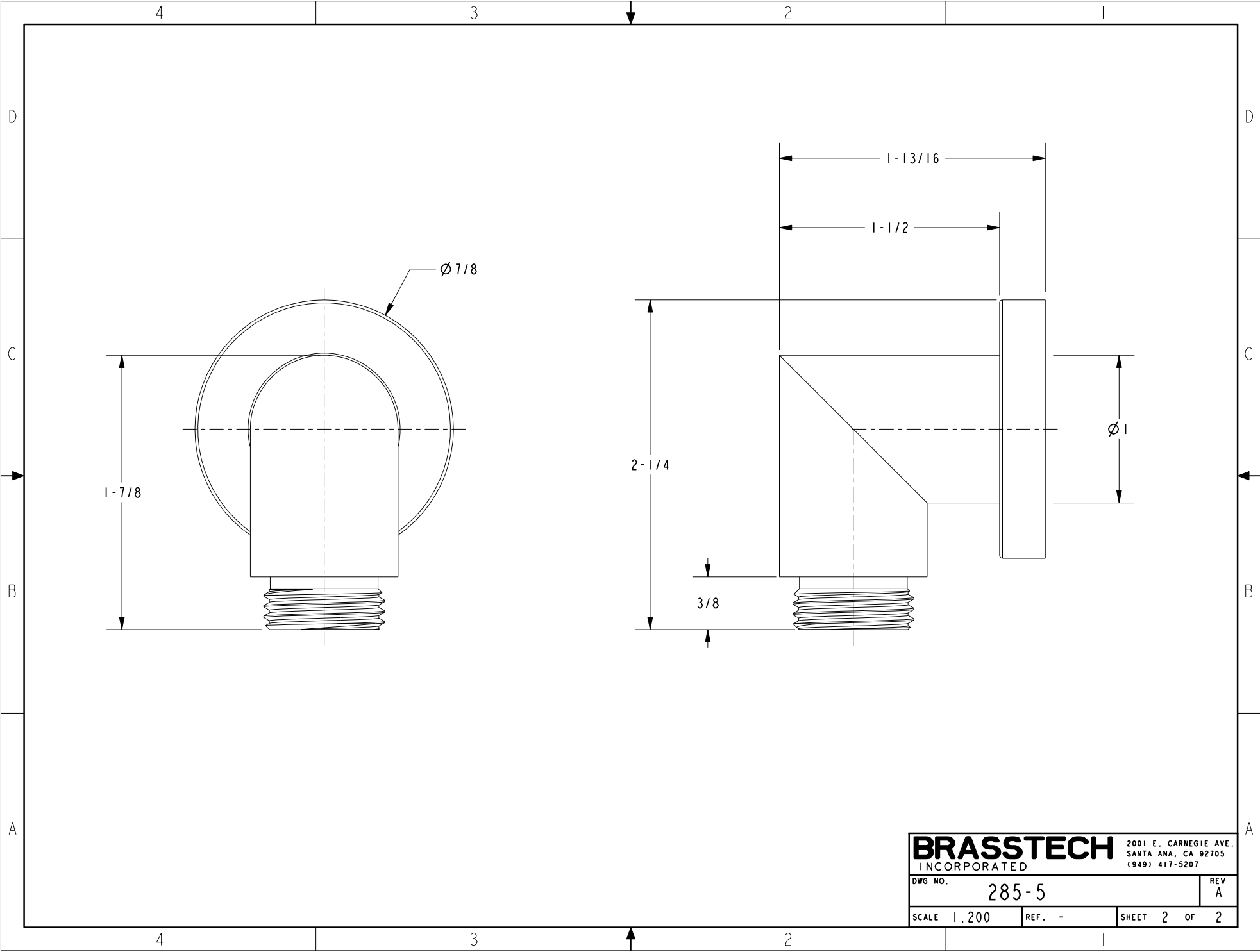
**SUPPLY ELBOW ASSEMBLY**

DWG NO. **285-5** REV A

SCALE 1.000 REF. - SHEET 1 OF 2

COPYRIGHT 2005 BRASSTECH, INC.  
 THESE DRAWINGS AND THE DESIGNS  
 DEPICTED HEREIN ARE THE PROPRIETARY  
 PROPERTY OF BRASSTECH. ANY USE  
 OR REPRODUCTION IS SUBJECT TO  
 THE EXPRESS APPROVAL OF BRASSTECH.  
 UNAUTHORIZED USE IS STRICTLY  
 PROHIBITED. ALL RIGHTS RESERVED.

-	A	EN-3772	12/21/18	J.M.
-	-	EN-1763	05/17/11	-
ZONE	REV	DESCRIPTION	DATE	APPROVED



<b>BRASSTECH</b>		2001 E. CARNEGIE AVE.	
INCORPORATED		SANTA ANA, CA 92705	
		(949) 417-5207	
DWG NO.	285-5	REV	A
SCALE	1.200	REF.	-
		SHEET	2 OF 2