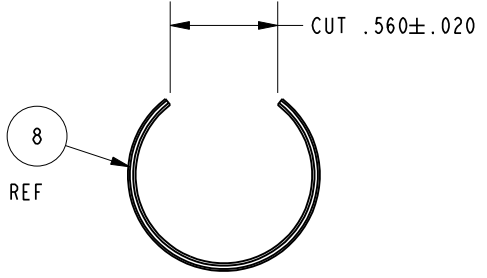


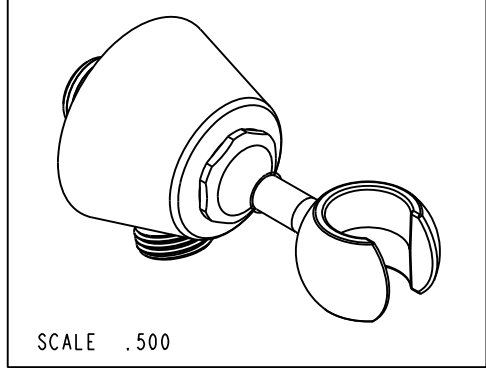
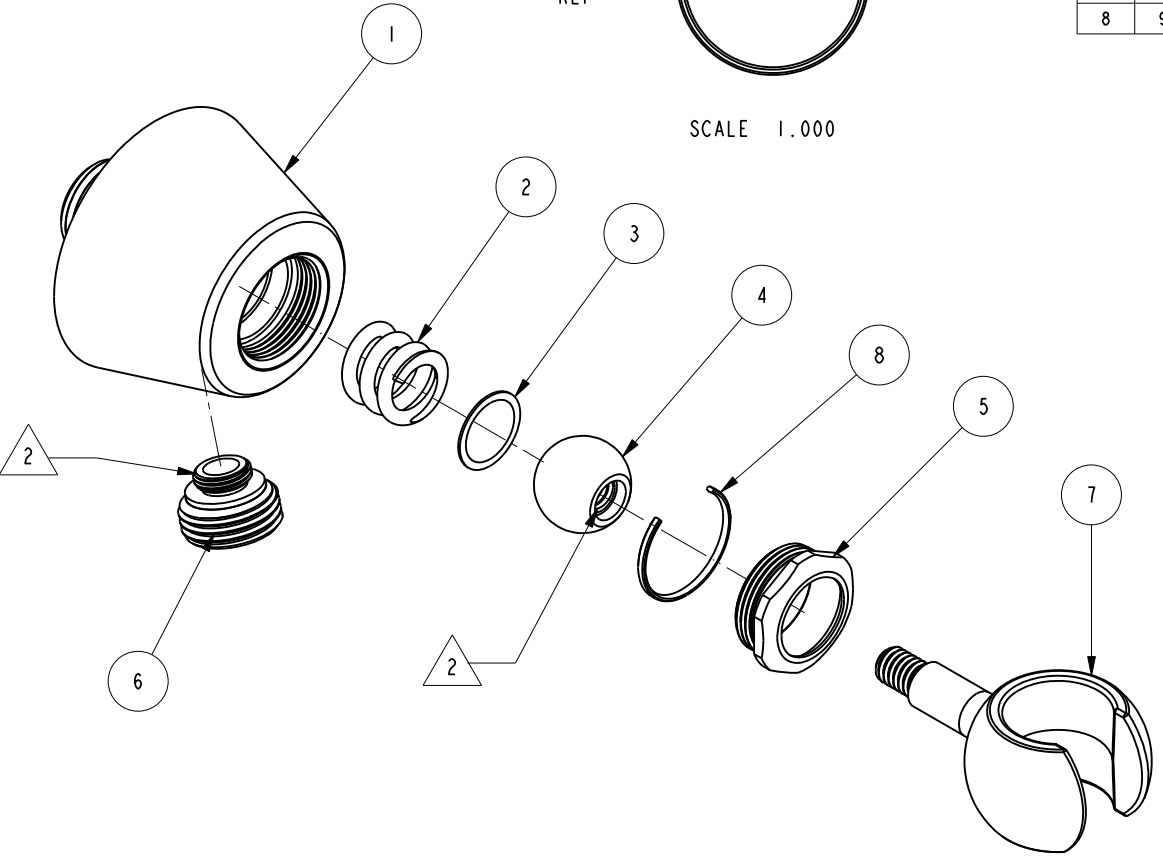
NOTES:

1. FIT / FORM / FUNCTION SHALL FOLLOW PS-E.008.

2 APPLY LOCTITE 680.



SCALE 1.000



SCALE .500

BILL OF MATERIAL (CURRENT LEVEL)				
ITEM	PT/ASSY	DESCRIPTION	TYPE	QTY.
1	50302	BODY	PART	1
2	50300	SPRING - 5/8"	PART	1
3	50301	WSHR, .683 OD X .019 THK, FLARED, STEEL	PART	1
4	50298	PIVOT BALL	PART	1
5	50299	COLLAR NUT	PART	1
6	50290	MALE ADAPTER	PART	1
7	13365	HOLDER - HANDSHOWER	PART	1
8	91157	WSHR, .920 ID X 1.0 OD X .066 THK, FLT, NYLON	PART	1

ZONE	REV	DESCRIPTION	DATE	APPROVED
-	D	EN-4031	12/02/19	J.M.
-	C	EN-3817	02/27/19	NS
-	B	EN-2462b	02/07/14	AN
-	A	EN-2142	04/23/12	JM
-	-	RELEASED	01/21/11	V. VU

COPYRIGHT 2005 BRASSTECH, INC. THESE DRAWINGS AND THE DESIGNS DEPICTED HEREIN ARE THE PROPRIETARY PROPERTY OF BRASSTECH. ANY USE OR REPRODUCTION IS SUBJECT TO THE EXPRESS APPROVAL OF BRASSTECH. UNAUTHORIZED USE IS STRICTLY PROHIBITED. ALL RIGHTS RESERVED.

TESTING	ASSEMBLY	PLATING	POLISHING	MACHINING	TOOLING FIXTURE #
-	-	-	-	-	REMOVE ALL BURRS AND SHARP EDGES

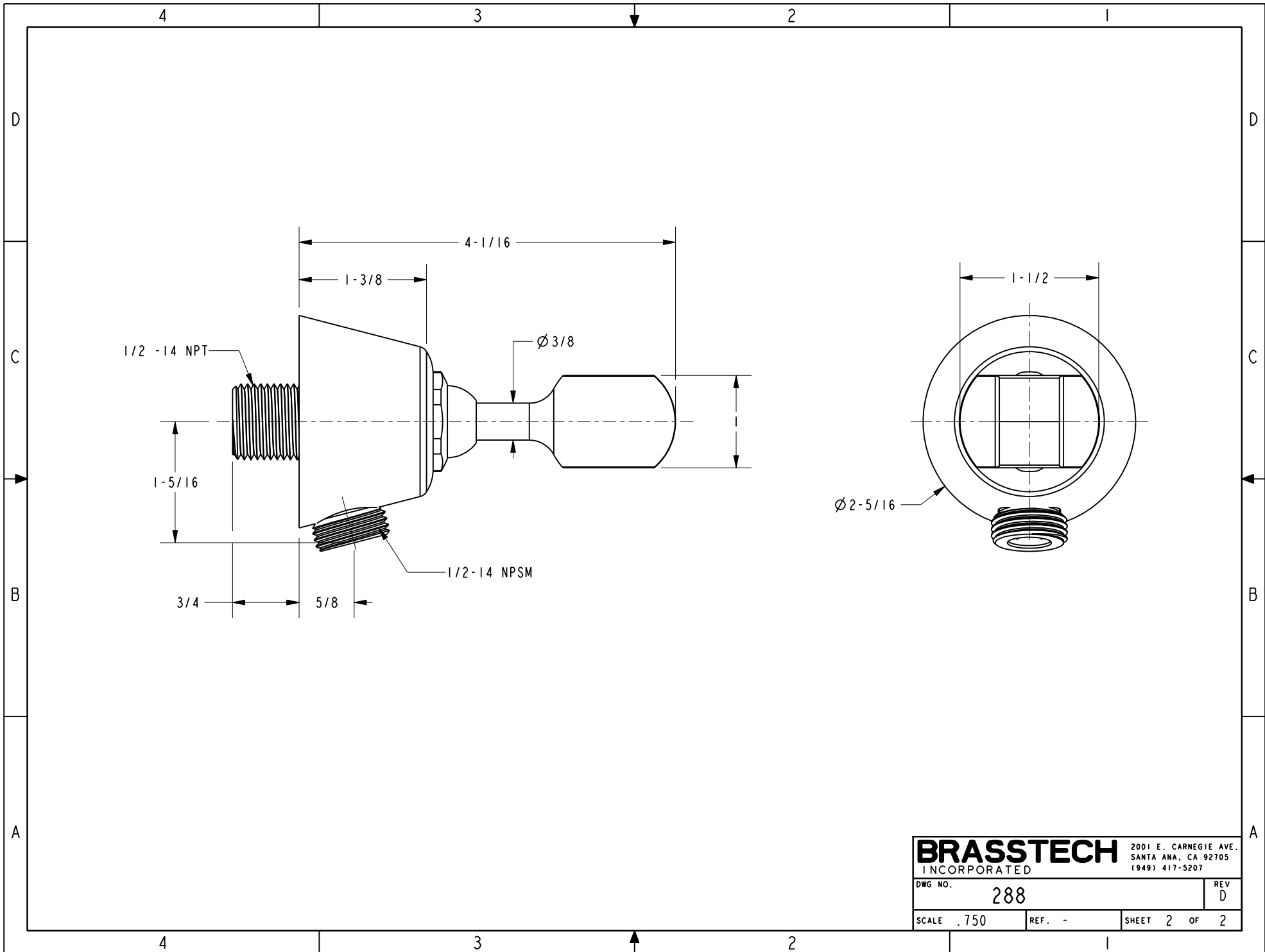
UNITS ARE: INCHES [MM]		
TOLERANCES ARE:		
FRACTIONS	DECIMALS	ANGLES
±1/16"	.X ±.1 [2.5]	±1°
	.XX ±.06 [1.5]	
(X.XXX) DENOTES CRITICAL DIMS. ALL THREADS ARE CRITICAL		
DRAWN	H. LE	01/20/11
CHECKED	V. VU	01/21/11
APPROVED	V. VU	01/21/11

BRASSTECH 2001 CARNEGIE AVE. SANTA ANA, CA 92705 (949) 417-5207
INCORPORATED

SUPPLY OUTLET WITH HOLDER

DWG NO. **288** REV D

SCALE .650 REF. - SHEET 1 OF 2



BRASSTECH		2001 E. CARNEGIE AVE. SANTA ANA, CA 92705 (949) 417-5207	
DWG NO.	288	REV	D
SCALE	.750	REF.	-
SHEET 2		OF 2	