

**BILL OF MATERIAL (CURRENT LEVEL)**

ITEM	PT/ASSY	DESCRIPTION	TYPE	QTY.
1	11378	ESCUTCHEON	PART	2
2	80186	BRACKET	PART	2
3	11379	POST	PART	2
4	92255	SCRW, 1/4-20 X 1/2 SKT HD CONE PT SS	PART	2
5	92051	SCRW, #8 X 1-3/4 SLT OVL HD BRASS	PART	6
6	91165	WALL ANCHOR PLASTIC	PART	6
7	80190	SLIDE BAR TUBE	PART	1
8	3-376	SLIDE BAR HOLDER ASM - CONTEMP	ASSEMBLY	1
9	91249	O-RING, #2- 028, EPDM, 65-75 DURO, NSF	6IPART	2
10	92259	SCRW, 8-32 X 3/8 SKT HD CUP PT SS	PART	6

SCALE .100

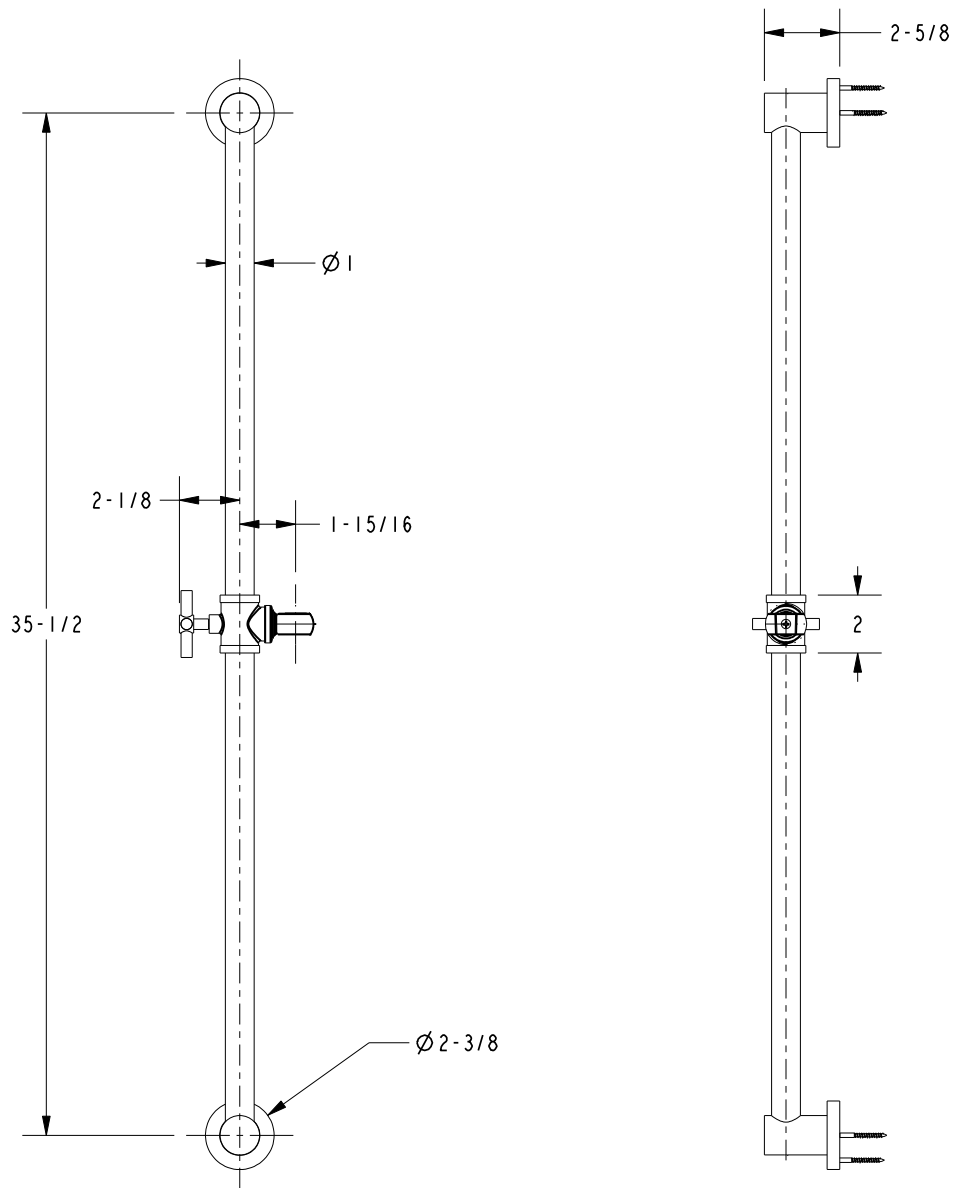
COPYRIGHT 2005 BRASSTECH, INC. THESE DRAWINGS AND THE DESIGNS DEPICTED HEREIN ARE THE PROPRIETARY PROPERTY OF BRASSTECH. ANY USE OR REPRODUCTION IS SUBJECT TO THE EXPRESS APPROVAL OF BRASSTECH. UNAUTHORIZED USE IS STRICTLY PROHIBITED. ALL RIGHTS RESERVED.

**BRASSTECH**  
INCORPORATED  
2001 E. CARNEGIE AVE.  
SANTA ANA, CA 92705  
(949) 417-5207

**HAND SHOWER SLIDE BAR**

ASSY. NO.	295		
SCALE	.125	REF.	-
SHEET	1	OF	2
REV		REV DESC	
A	EN-1426	04/15/10	
-	EN-0940	02/11/08	
DATE			

**SPECIFICATION DWG**



DIMENSIONS ARE IN INCHES AND AN APPROXIMATION OF A TYPICAL INSTALLATION

COPYRIGHT 2005 BRASSTECH, INC. THESE DRAWINGS AND THE DESIGNS DEPICTED HEREIN ARE THE PROPRIETARY PROPERTY OF BRASSTECH. ANY USE OR REPRODUCTION IS SUBJECT TO THE EXPRESS APPROVAL OF BRASSTECH. UNAUTHORIZED USE IS STRICTLY PROHIBITED. ALL RIGHTS RESERVED.

<b>BRASSTECH</b>		2001 CARNEGIE AVE. SANTA ANA, CA 92705 (949) 417-5207	
INCORPORATED			
DWG NO.	<b>295</b>	REV	<b>B</b>
SCALE .150	REF. -	SHEET 2	OF 2