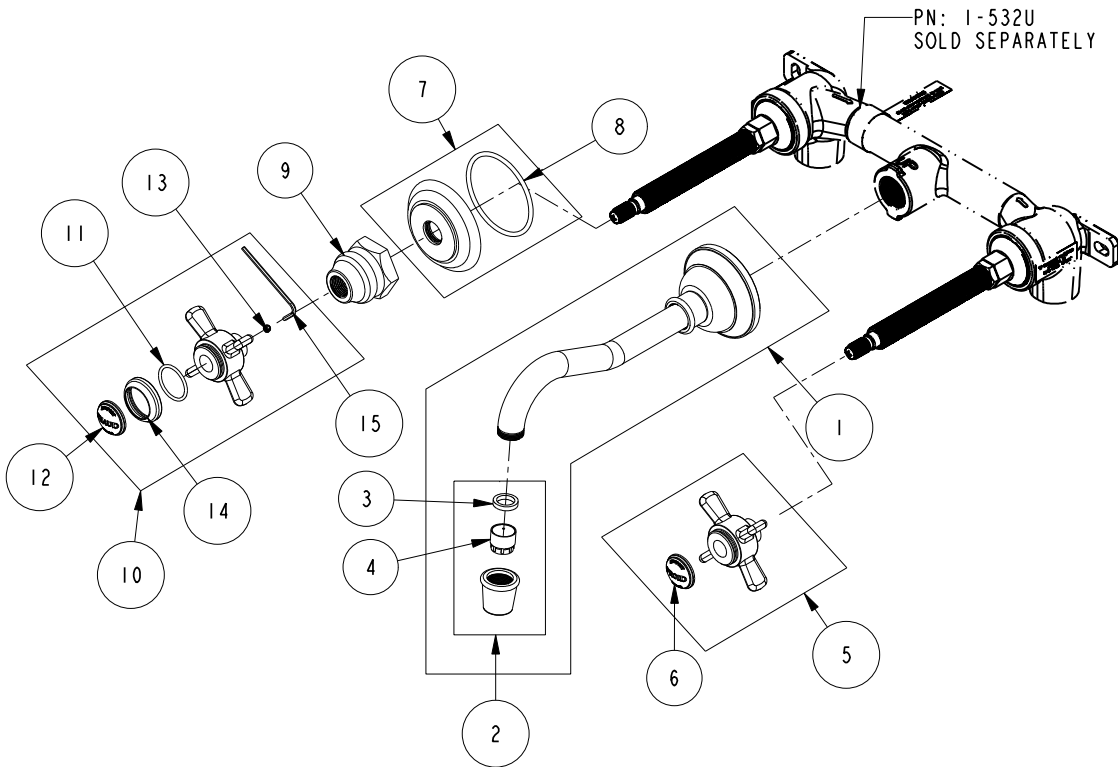


REPLACEMENT PARTS

ITEM	PT/ASSY	SPECIFY FINISH	DESCRIPTION
1	2-218	YES	SPOUT ASM - LAV IN WALL
2	2-633	YES	AERATOR ASM
3	91265		WSHR, 11 ID X 15 OD X 2.8 MM THK, FLT, RUBBER NSF 61 APPR
4	12402		AERATOR INSERT, TT SIZE, 1.2 GPM
5	2-115	YES	THIN BLADE X - HANDLE COLD
6	10815		PORC BUTTON - FROID (COLD)
7	20-742	YES	ESCUTCHEON ASM
8	91753		O-RING, # 2-136, EP, 50 DURO - GREY
9	10523	YES	HEX ESCUTCHEON BONNET
10	2-114	YES	THIN BLADE X - HANDLE HOT
11	91023		O-RING, #2- 019, EPDM, 65-75 DURO, NSF 61
12	10816		PORC BUTTON - CHAUD (HOT)
13	92000		SCREW 8 - 32 X 1/8 SS
14	10814	YES	BEZEL
15	10192		HEX KEY TOOL, #8 5/64



TRIM KIT 3-1003
3-1003

REV C EN-4640-1 04/07/23 APPROVED RS

NEWPORT BRASS.

t: 949.417.5207 | www.newportbrass.com