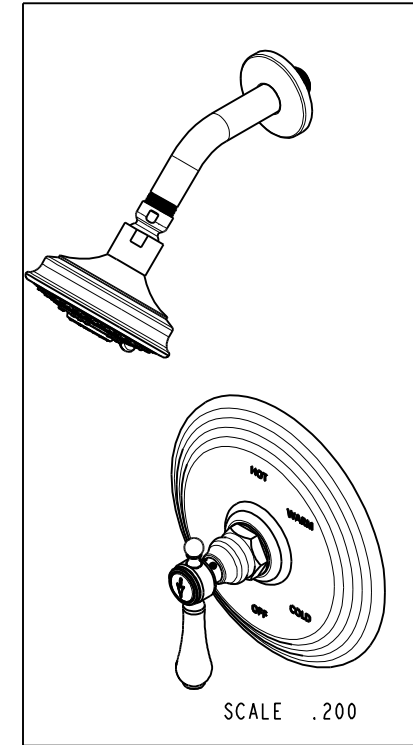
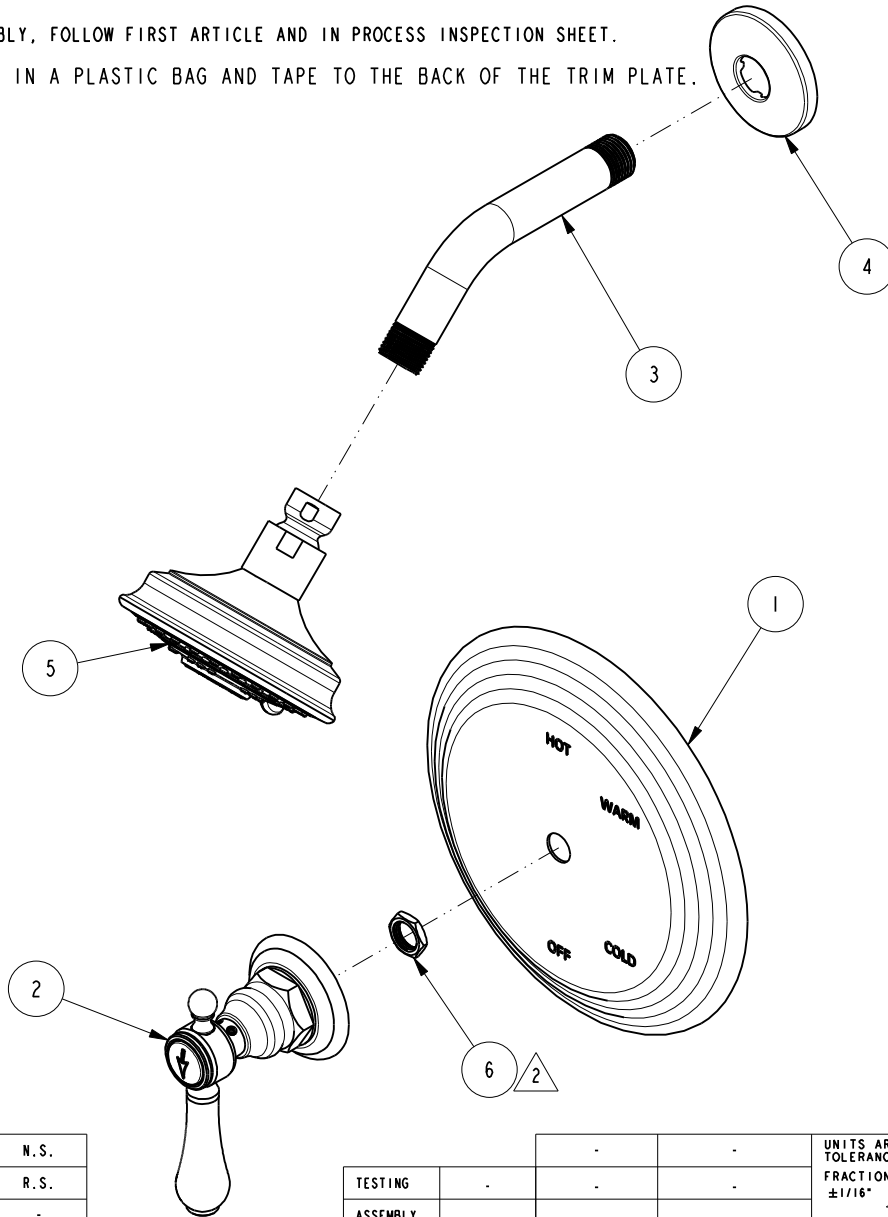


NOTES:

1. TO INSPECT ASSEMBLY, FOLLOW FIRST ARTICLE AND IN PROCESS INSPECTION SHEET.
2. SEAL NUT 10259 IN A PLASTIC BAG AND TAPE TO THE BACK OF THE TRIM PLATE.

BILL OF MATERIAL (CURRENT LEVEL)

ITEM	PT/ASSY	DESCRIPTION	TYPE	QTY.
1	2-225	BP COVER PLATE FOR SHOWER	ASSEMBLY	1
2	3-241	TRIM KIT - HANDLE ESCUTCHEON	ASSEMBLY	1
3	200	SHOWER ARM 6" BRASS	PART	1
4	206	SHOWER ARM FLANGE	PART	1
5	2156	SHOWER HEAD, TRAD	ASSEMBLY	1
6	10259	HEX NUT 9/16 X 20 MADE	PART	1



-	E	EN-4441	04/18/22	N.S.
-	D	EN-4300e	04/28/21	R.S.
-	C	EN-2802	09/08/14	-
-	B	EN-1745	08/22/11	-
-	A	EN-1183	03/23/09	-
-	-	RELEASED	06/03/03	-
ZONE	REV	DESCRIPTION	DATE	APPROVED

COPYRIGHT 2005 BRASSTECH, INC. THESE DRAWINGS AND THE DESIGNS DEPICTED HEREIN ARE THE PROPRIETARY PROPERTY OF BRASSTECH. ANY USE OR REPRODUCTION IS SUBJECT TO THE EXPRESS APPROVAL OF BRASSTECH. UNAUTHORIZED USE IS STRICTLY PROHIBITED. ALL RIGHTS RESERVED.

TESTING	-	-	-
ASSEMBLY	-	-	-
PLATING	-	-	-
POLISHING	-	NEXT ASSY	USED ON
MACHINING	-	APPLICATION	
TOOLING FIXTURE #	REMOVE ALL BURRS AND SHARP EDGES		

UNITS ARE: INCHES [MM]	
TOLERANCES ARE:	
FRACTIONS DECIMALS	ANGLES
±1/16"	±°
.X ±.1 [2,5]	
.XX ±.06 [1,5]	
(X.XXX) DENOTES CRITICAL DIMS.	
ALL THREADS ARE CRITICAL	
DRAWN	J.T. 04/18/22
CHECKED	N.S. 04/18/22
APPROVED	N.S. 04/18/22

BRASSTECH 2001 CARNEGIE AVE.
INCORPORATED SANTA ANA, CA 92705
(949) 417-5207

TRIM KIT-BP SHOWER SET

DWG NO.	3-1034BP	REV	E
SCALE	.300	REF.	-
SHEET	1	OF	2

1/2 NPT

9.00 [228,6]

Ø 2.38 [60,5]

2.67 [67,8]

.42 [10,6]

5.15 [130,9]

Ø 4.30 [109,2]

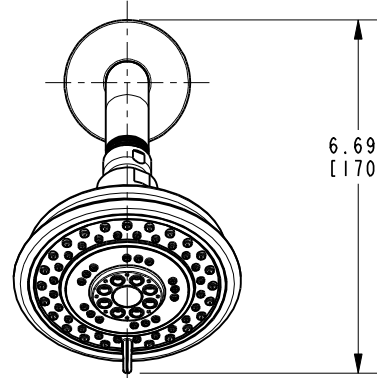
7.04 [178,8]

3.66 [92,9]

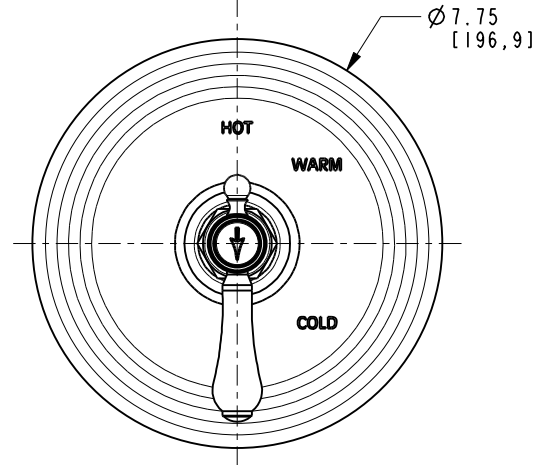
2.88 [73]
AMOUNT OF STEM REQ.
FROM FINISHED WALL

3.373 [85,66]

.754 [19,15]



6.69 [170]



Ø 7.75 [196,9]

HOT

WARM

COLD

BRASSTECH
INCORPORATED

2001 E. CARNEGIE AVE.
SANTA ANA, CA 92705
(949) 417-5207

DWG NO.	3-1034BP	REV	E
SCALE	.275	REF.	-
SHEET 2		OF 2	