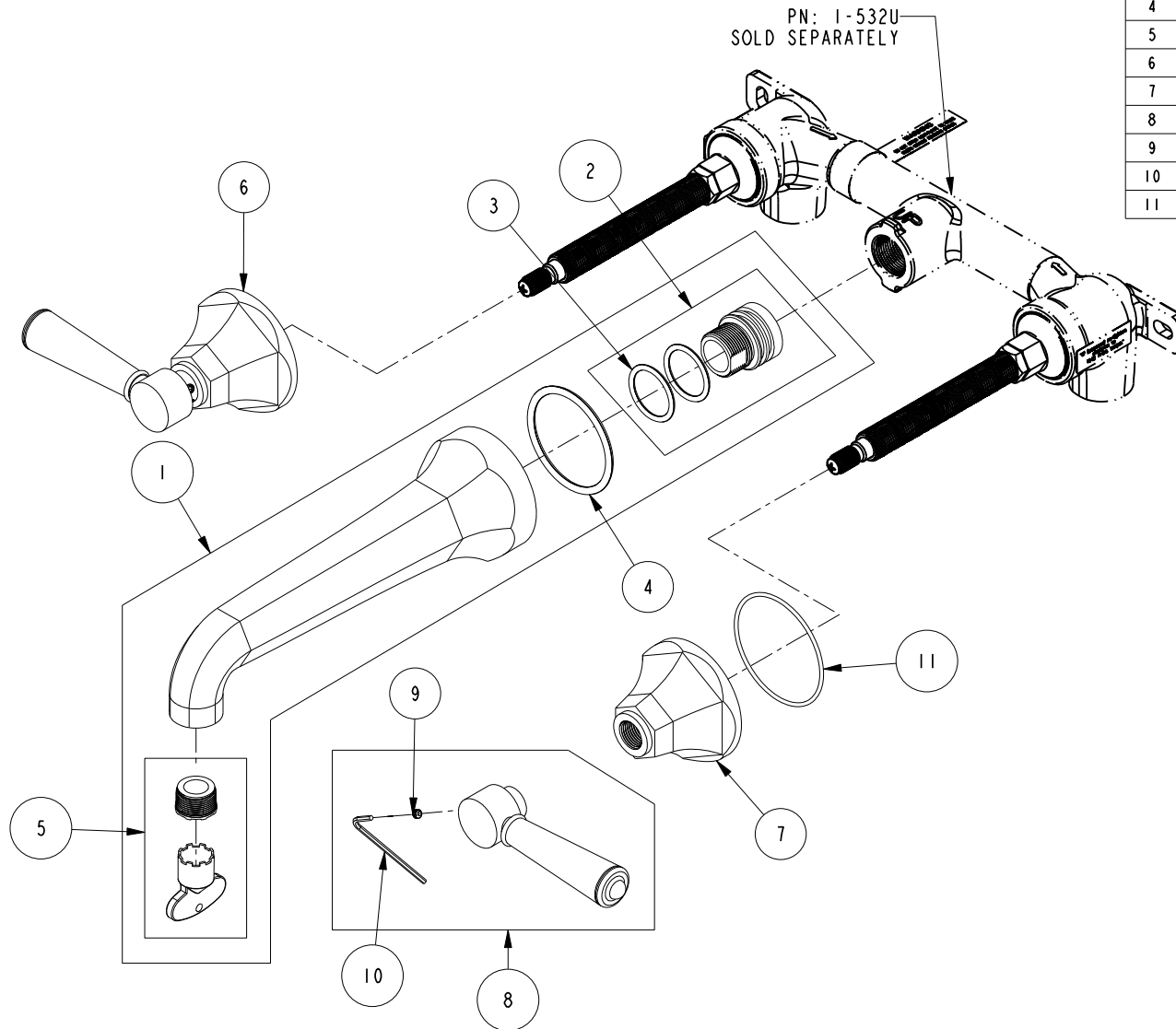


REPLACEMENT PARTS

ITEM	PT/ASSY	SPECIFY FINISH	DESCRIPTION
1	3-626	YES	WALL LAVATORY SPOUT ASM
2	1-368		WALL MOUNT SPOUT ADAPTOR ASM
3	91288		O-RING, #2-119, EPDM, 65-75 DURO
4	91749		O-RING, #2-225, EPDM, 50 DURO - GREY
5	1-492		AERATOR 1.2 GPM WITH KEY
6	3-245	YES	HANDLE/ESCUTCHEON ASM - 1200
7	10960	YES	HEX ESCUTCHEON
8	2-279	YES	TAPERED LEVER HNDL ASM
9	92000		SCREW 8 - 32 X 1/8 SS
10	10192		HEX KEY TOOL, #8 5/64
11	91754		O-RING, #2-034, EPDM, 50 DURO - GREY



WALL MOUNT LAV FAUCET
3-1201

REV B EN-4640-2 04/12/23 APPROVED RS

NEWPORT BRASS.

t: 949.417.5207 | www.newportbrass.com