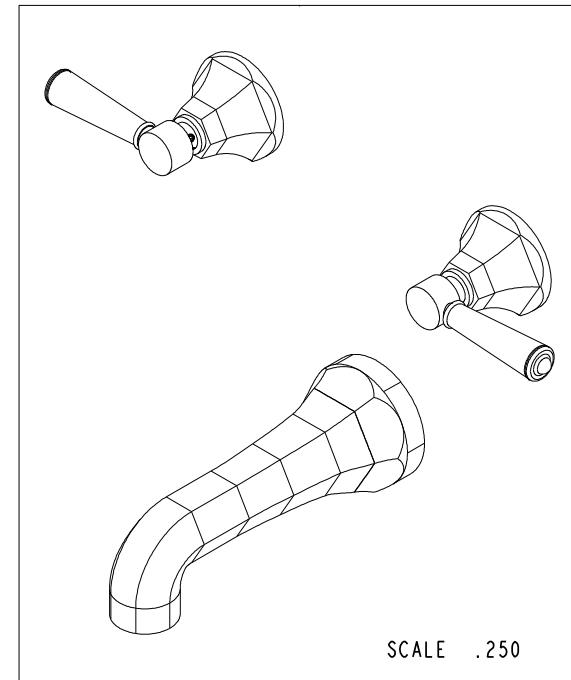
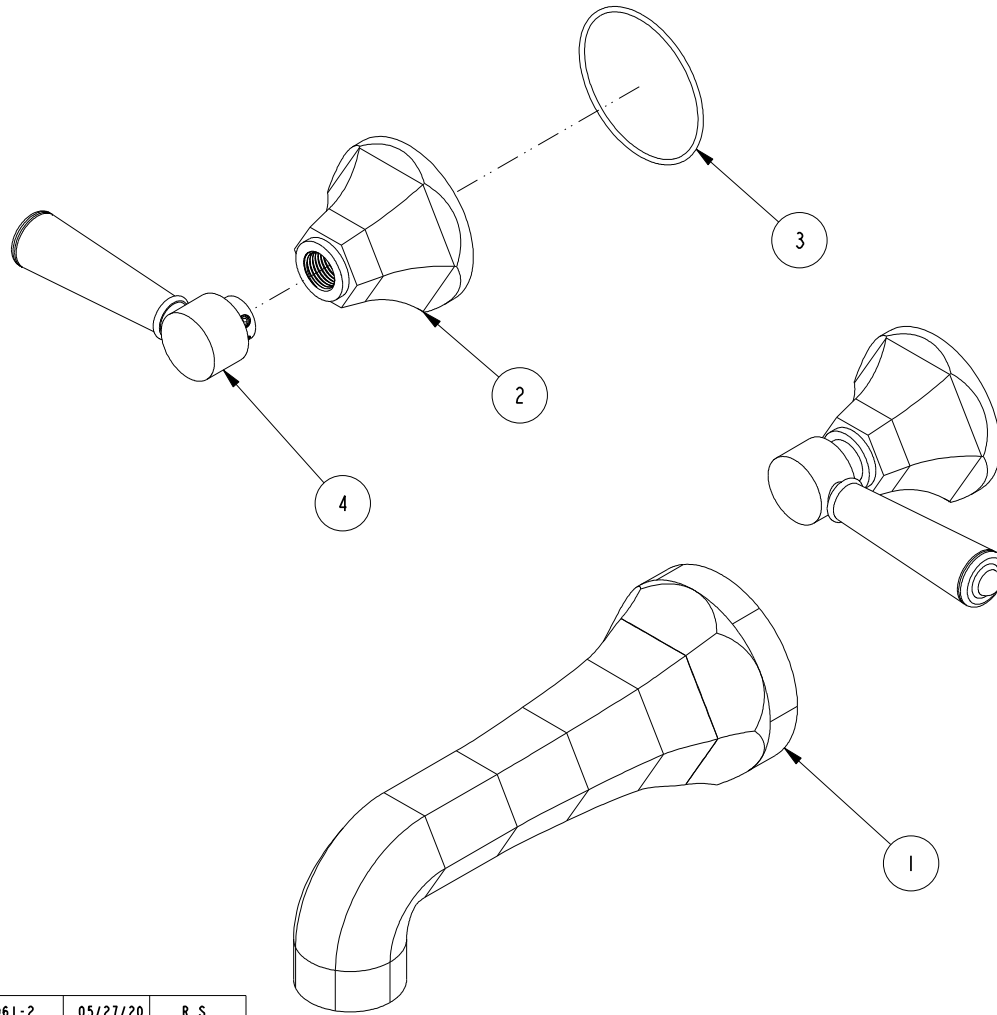


NOTES:

1. TO INSPECT ASSEMBLY, FOLLOW FIRST ARTICLE AND IN PROCESS INSPECTION SHEET.

BILL OF MATERIAL (CURRENT LEVEL)

ITEM	PT/ASSY	DESCRIPTION	TYPE	QTY.
1	2-144	WALL TUB SPOUT - HEX	ASSEMBLY	1
2	10960	HEX ESCUTCHEON	PART	2
3	91754	O-RING, #2-034, EPDM, 50 DURO - GREY	PART	2
4	2-279	TAPERED LEVER HNDL ASM	ASSEMBLY	2



-	G	EN-3961-2	05/27/20	R.S.
-	F	EN-3722	02/08/19	C.G.
-	E	EN-2677	02/03/14	-
-	D	EN-2182b	06/10/13	-
-	C	EN-2266	04/08/13	-
-	B	EN-1176	10/23/09	-
-	A	EN-1167	12/19/08	-
-	-	EN-2169	06/15/12	-
ZONE	REV	DESCRIPTION	DATE	APPROVED

COPYRIGHT 2005 BRASSTECH, INC. THESE DRAWINGS AND THE DESIGNS DEPICTED HEREIN ARE THE PROPRIETARY PROPERTY OF BRASSTECH. ANY USE OR REPRODUCTION IS SUBJECT TO THE EXPRESS APPROVAL OF BRASSTECH. UNAUTHORIZED USE IS STRICTLY PROHIBITED. ALL RIGHTS RESERVED.

TESTING	-	-	-
ASSEMBLY	-	-	-
PLATING	-	-	-
POLISHING	-	NEXT ASSY	USED ON
MACHINING	-	APPLICATION	
TOOLING FIXTURE #	REMOVE ALL BURRS AND SHARP EDGES		

UNITS ARE: INCHES [MM]
TOLERANCES ARE:
FRACTIONS DECIMALS ANGLES
±1/16" .X ±.1 [2.5] ±1°
.XX ±.06 [1.5]

(X.XXX) DENOTES CRITICAL DIMS.
ALL THREADS ARE CRITICAL

DRAWN	JIMSON	05/27/20
CHECKED	R.S.	05/27/20
APPROVED	R.S.	05/27/20

BRASSTECH
INCORPORATED

2001 CARNEGIE AVE.
SANTA ANA, CA 92705
(949) 417-5207

TRIM KIT - TUB SET 1205

DWG NO.	3-1205	REV	G
SCALE	.400	REF.	-
SHEET	1	OF	3

