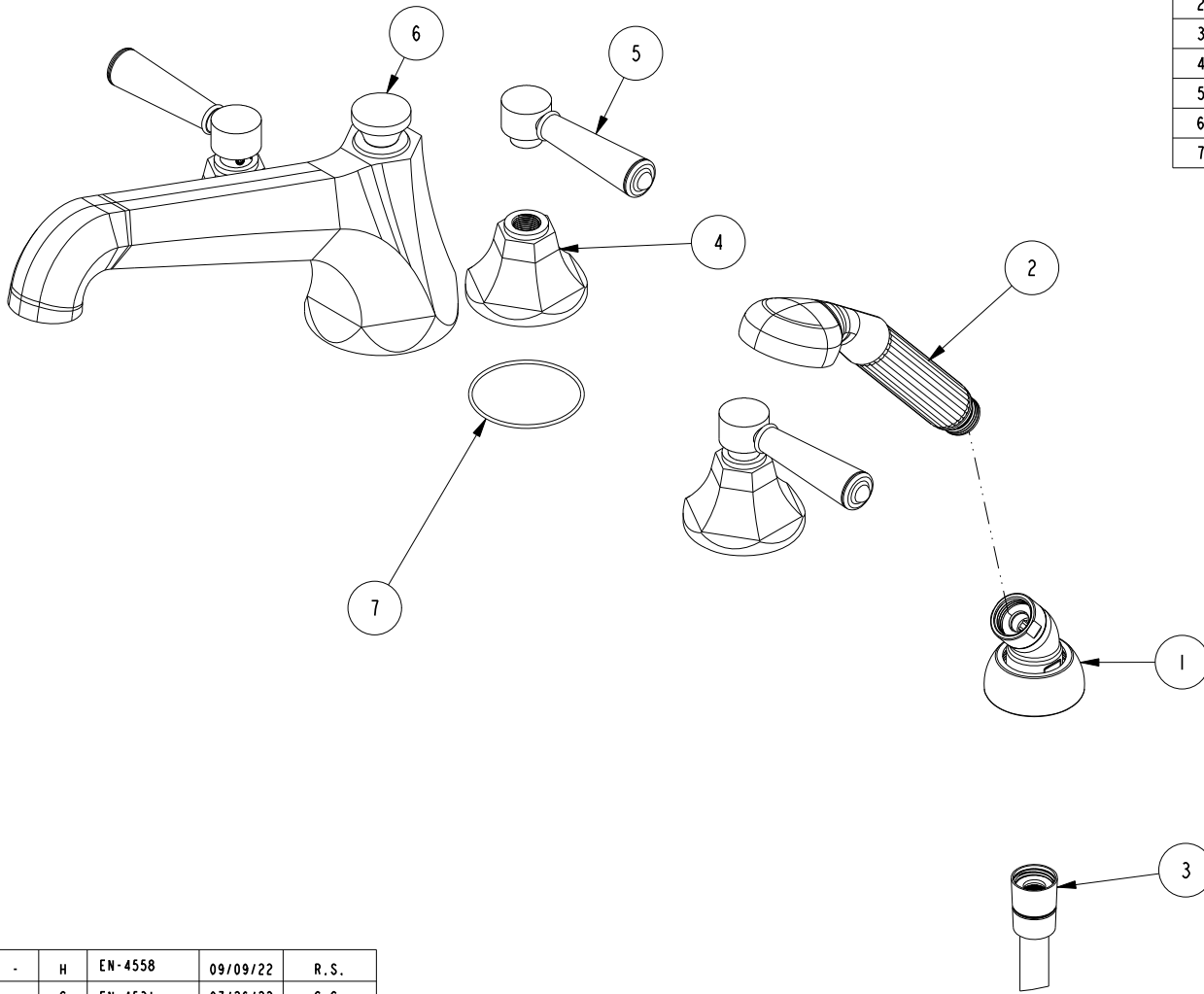


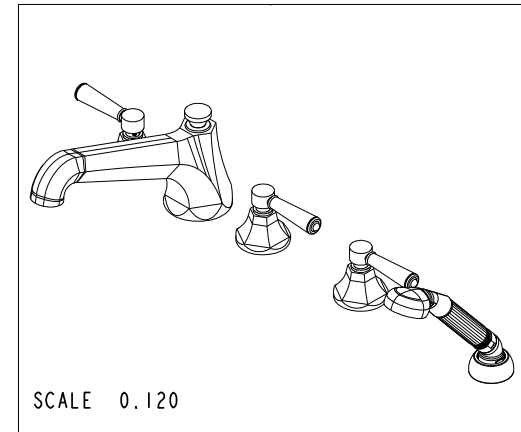
NOTES:

1. TO INSPECT ASSEMBLY, FOLLOW FIRST ARTICLE AND IN PROCESS INSPECTION SHEET.



BILL OF MATERIAL (CURRENT LEVEL)

ITEM	PT/ASSY	DESCRIPTION	TYPE	QTY.
1	6-289	DECK FLANGE TRIM	ASSEMBLY	1
2	280	HAND SHOWER WITH GROOVE	ASSEMBLY	1
3	284	59 IN. SPIRAL SHOWER HOSE	ASSEMBLY	1
4	10960	HEX ESCUTCHEON	PART	3
5	2-279	TAPERED LEVER HNDL ASM	ASSEMBLY	3
6	2-162	R/T SPOUT ASM	ASSEMBLY	1
7	91754	O-RING, #2-034, EPDM, 50 DURO - GREY	PART	3



-	H	EN-4558	09/09/22	R.S.
-	G	EN-4531	07/26/22	C.G.
-	F	EN-4300u	02/02/21	R.S.
-	E	EN-3722	02/08/19	C.G.
-	D	EN-3222	12/05/17	J.A.
-	C	EN-2266	04/09/13	-
-	B	EN-1167	12/19/08	-
-	A	EO-0903	10/29/07	-
ZONE	REV	DESCRIPTION	DATE	APPROVED

COPYRIGHT 2005 BRASSTECH, INC. THESE DRAWINGS AND THE DESIGNS DEPICTED HEREIN ARE THE PROPRIETARY PROPERTY OF BRASSTECH. ANY USE OR REPRODUCTION IS SUBJECT TO THE EXPRESS APPROVAL OF BRASSTECH. UNAUTHORIZED USE IS STRICTLY PROHIBITED. ALL RIGHTS RESERVED.

TESTING	-	-	-
ASSEMBLY	-	-	-
PLATING	-	-	-
POLISHING	-	NEXT ASSY	USED ON
MACHINING	-	APPLICATION	
TOOLING FIXTURE #	REMOVE ALL BURRS AND SHARP EDGES		

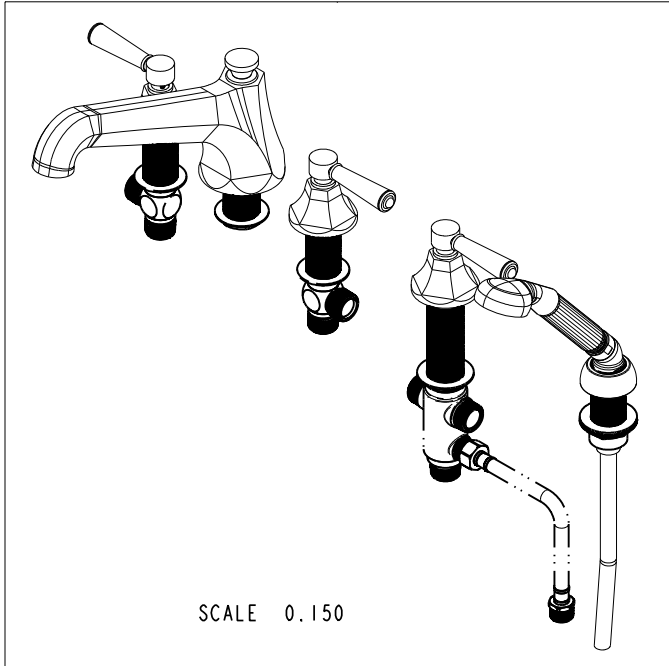
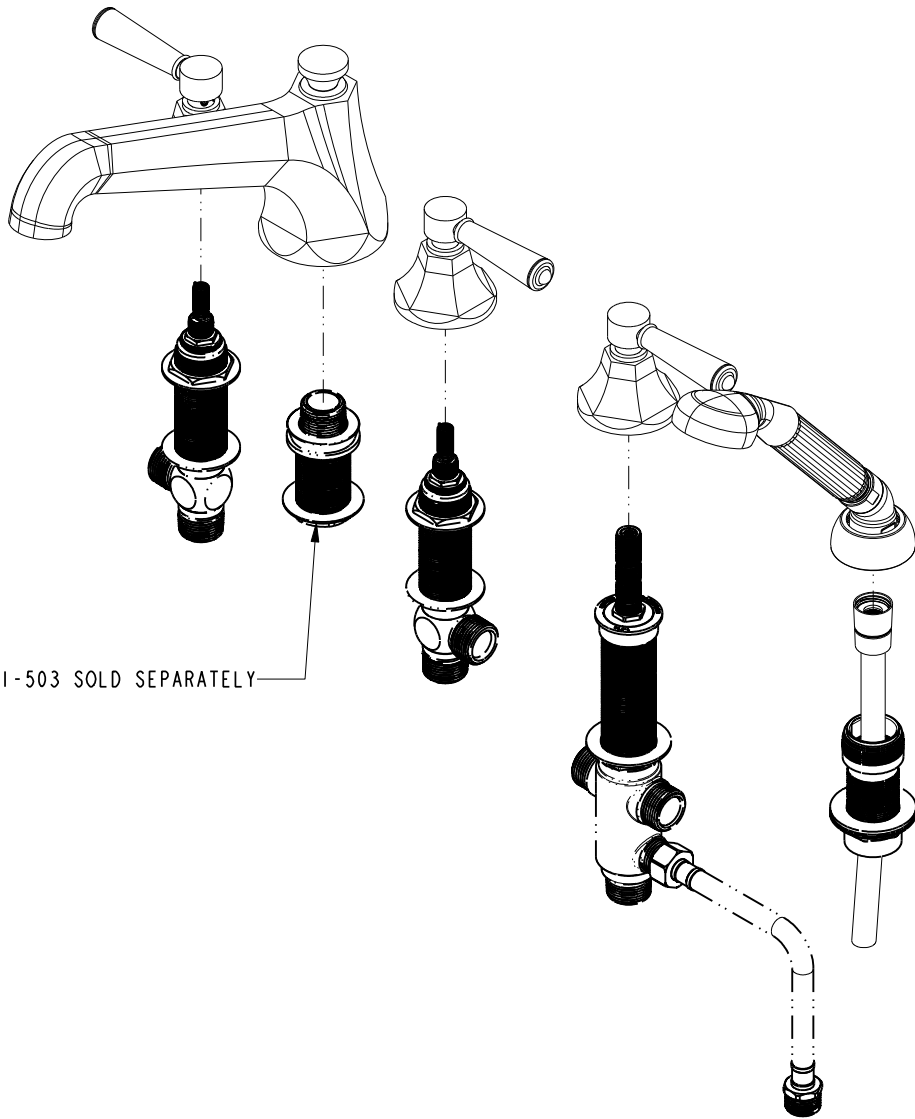
UNITS ARE: INCHES [MM]
 TOLERANCES ARE:
 FRACTIONS DECIMALS ANGLES
 $\pm 1/16"$.X $\pm .1$ [2.5] $\pm 1^\circ$
 .XX $\pm .06$ [1.5]
 (X.XXX) DENOTES CRITICAL DIMS.
 ALL THREADS ARE CRITICAL
 DRAWN J.T. 07/26/22
 CHECKED C.G. 07/26/22
 APPROVED C.G. 07/26/22

BRASSTECH 2001 CARNEGIE AVE.
 INCORPORATED SANTA ANA, CA 92705
 (949) 417-5207

TRIM KIT - ROMAN TUB 1207

DWG NO. **3-1207** REV H

SCALE 0.275 REF. - SHEET 1 OF 3



BRASSTECH		2001 E. CARNEGIE AVE. SANTA ANA, CA 92705 (949) 417-5207	
DWG NO.	3-1207	REV	H
SCALE	0.225	REF.	-
SHEET 2		OF 3	

