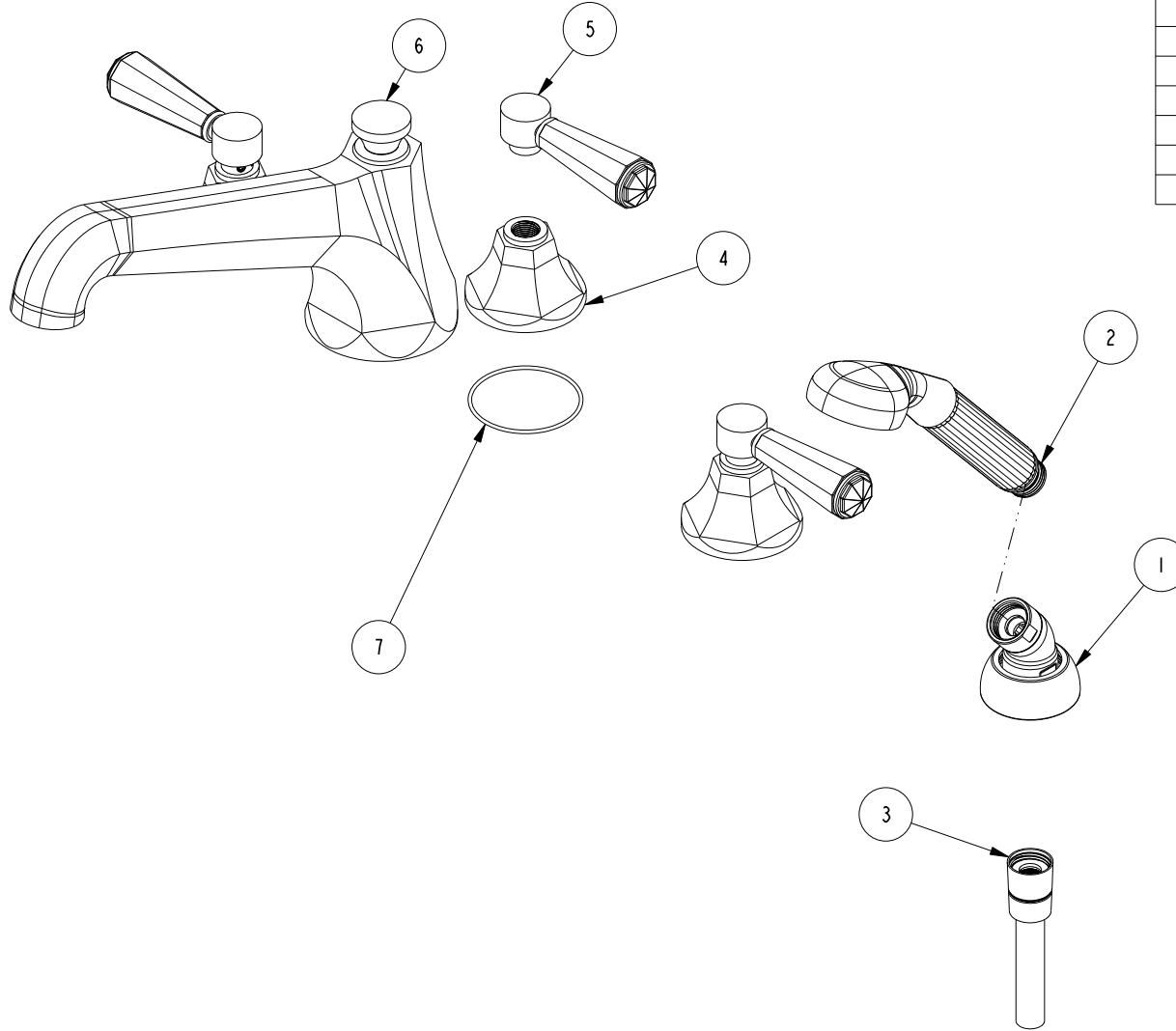


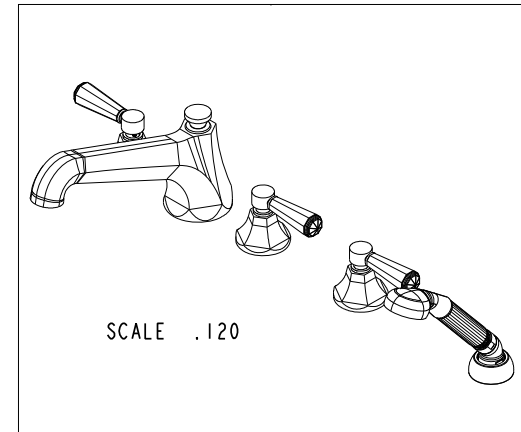
NOTES:

1. TO INSPECT ASSEMBLY, FOLLOW FIRST ARTICLE AND IN PROCESS INSPECTION SHEET.



BILL OF MATERIAL (CURRENT LEVEL)

ITEM	PT/ASSY	DESCRIPTION	TYPE	QTY.
1	6-289	DECK FLANGE TRIM	ASSEMBLY	1
2	280	HAND SHOWER WITH GROOVE	ASSEMBLY	1
3	284	59 IN. SPIRAL SHOWER HOSE	ASSEMBLY	1
4	10960	HEX ESCUTCHEON	PART	3
5	2-876	CRYSTAL HANDLE LEVER ASM	ASSEMBLY	3
6	2-162	R/T SPOUT ASM	ASSEMBLY	1
7	91754	O-RING, #2-034, EPDM, 50 DURO - GREY	PART	3



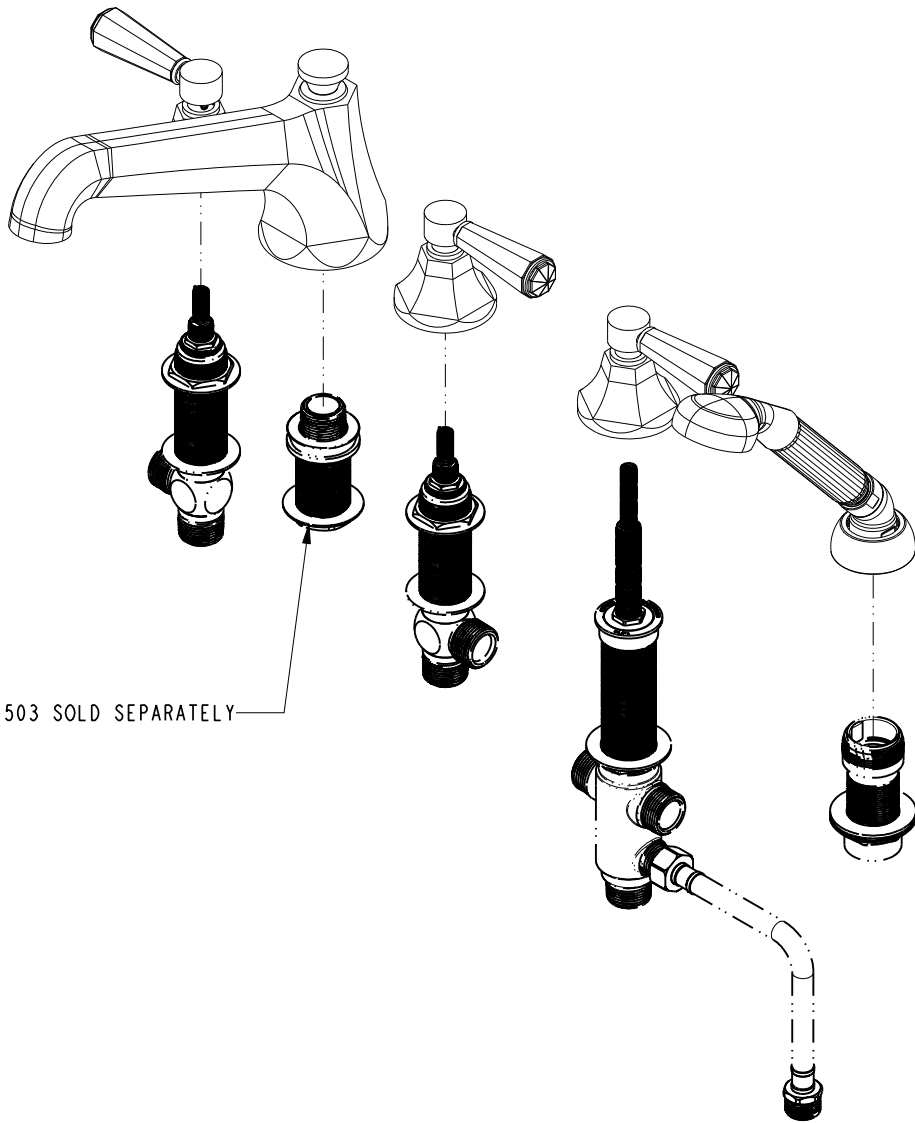
-	E	EN-4558	09/09/22	R.S.
-	D	EN-4531	07/26/22	C.G.
-	C	EN-4300u	02/02/21	R.S.
-	B	EN-3722	02/08/19	C.G.
-	A	EN-3222	12/05/17	J.M.
-	-	EN-2415	06/11/13	-
ZONE	REV	DESCRIPTION	DATE	APPROVED

COPYRIGHT 2005 BRASSTECH, INC. THESE DRAWINGS AND THE DESIGNS DEPICTED HEREIN ARE THE PROPRIETARY PROPERTY OF BRASSTECH. ANY USE OR REPRODUCTION IS SUBJECT TO THE EXPRESS APPROVAL OF BRASSTECH. UNAUTHORIZED USE IS STRICTLY PROHIBITED. ALL RIGHTS RESERVED.

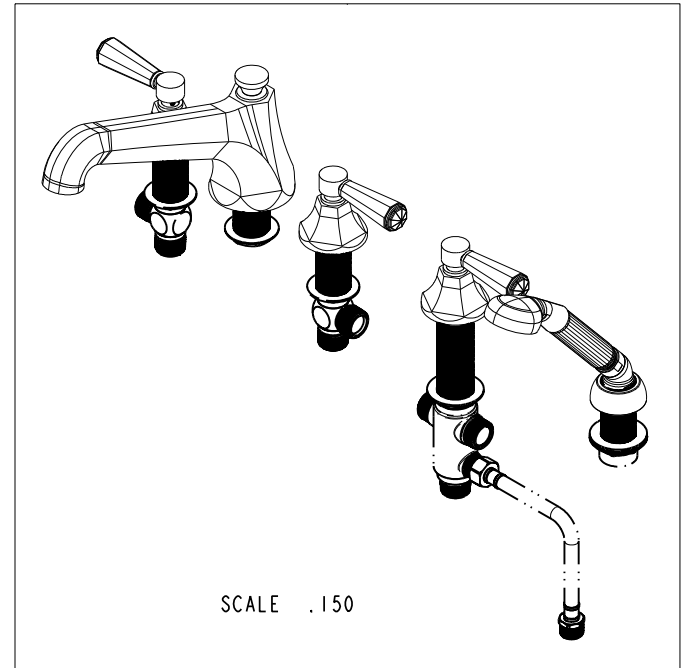
TESTING	-	-	-
ASSEMBLY	-	-	-
PLATING	-	-	-
POLISHING	-	NEXT ASSY	USED ON
MACHINING	-	APPLICATION	
TOOLING FIXTURE #	REMOVE ALL BURRS AND SHARP EDGES		

UNITS ARE: INCHES [MM]	
TOLERANCES ARE:	
FRACTIONS	DECIMALS ANGLES
±1/16"	±.001" ±.1°
.X ±.1	[2.5]
.XX ±.06	[1.5]
(X.XXX) DENOTES CRITICAL DIMS.	
ALL THREADS ARE CRITICAL	
DRAWN	J.T. 07/26/22
CHECKED	C.G. 07/26/22
APPROVED	C.G. 07/26/22

BRASSTECH		2001 CARNEGIE AVE. SANTA ANA, CA 92705 (949) 417-5207	
INCORPORATED			
ROMAN TUB FAUCET W/ HANDSHOWER			
DWG NO.		REV	
3-1237		E	
SCALE	REF.	SHEET	OF
.275	-	1	3

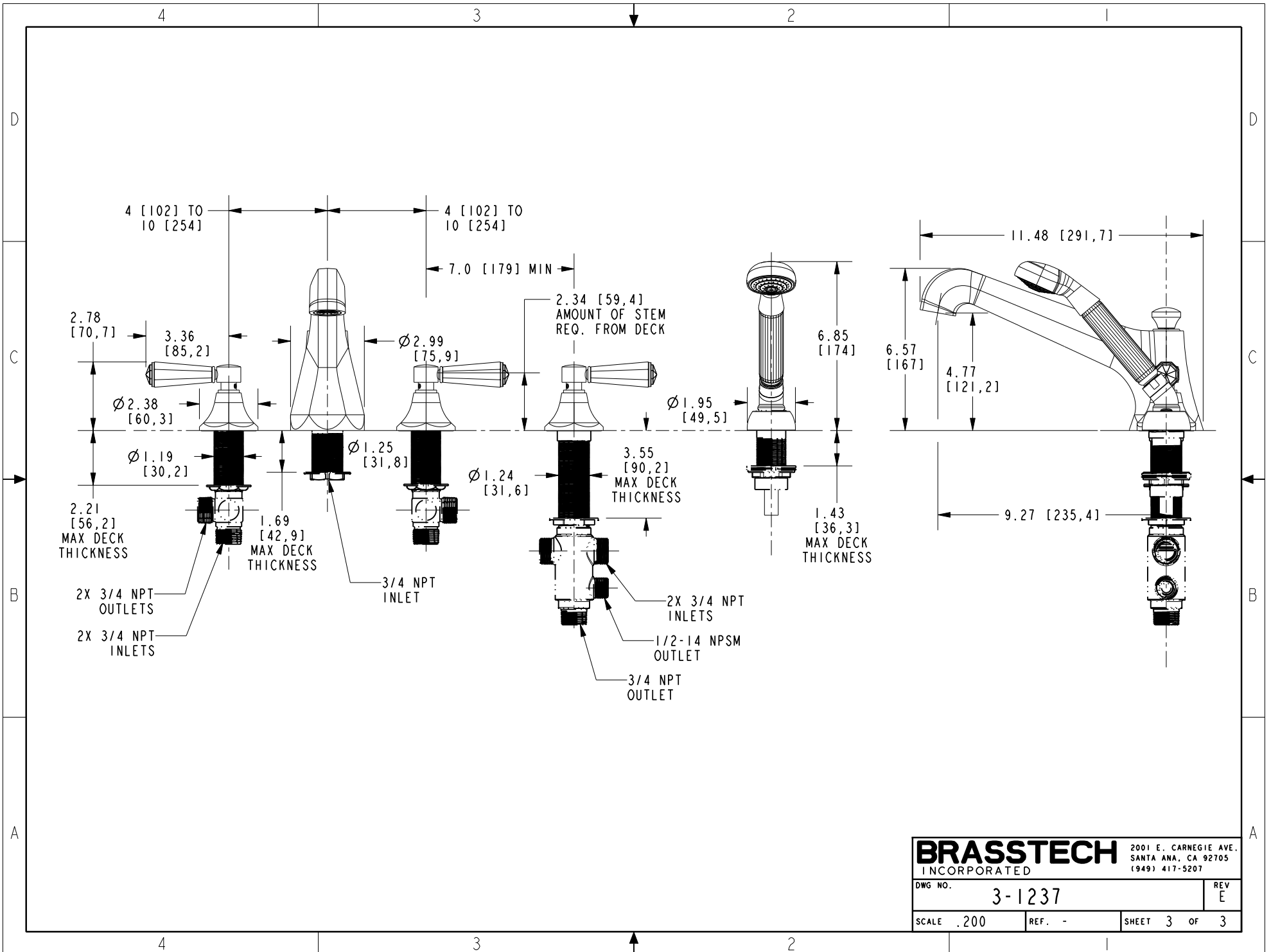


PN: 1-503 SOLD SEPARATELY



SCALE .150

BRASSTECH		2001 E. CARNEGIE AVE. SANTA ANA, CA 92705 (949) 417-5207	
DWG NO.	3-1237	REV	E
SCALE .225	REF. -	SHEET 2	OF 3



BRASSTECH		2001 E. CARNEGIE AVE. SANTA ANA, CA 92705 (949) 417-5207
DWG NO.	3-1237	REV E
SCALE .200	REF. -	SHEET 3 OF 3