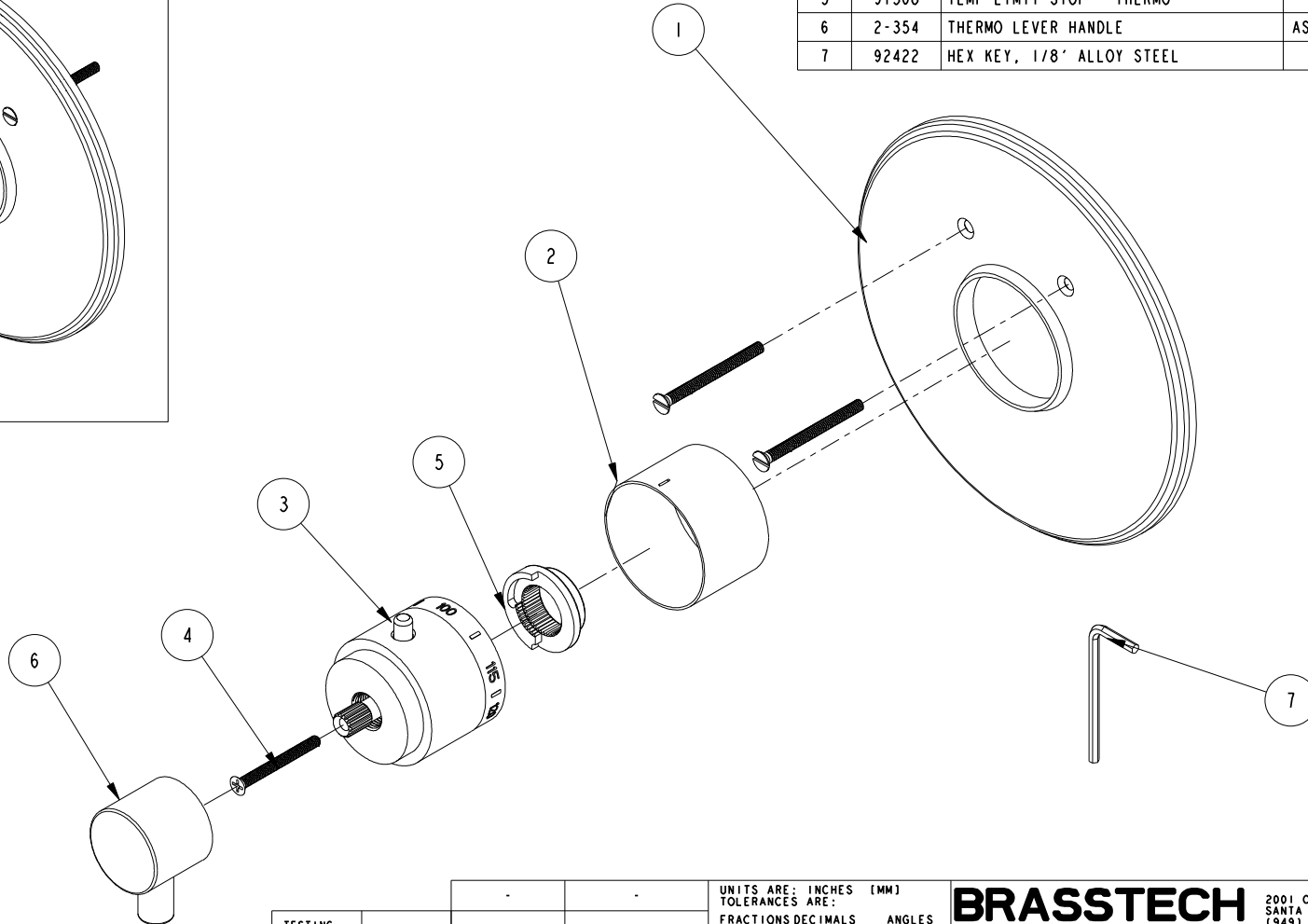
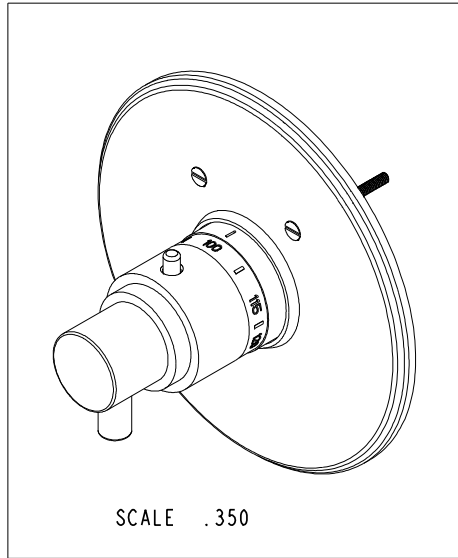


NOTES:

1. TO INSPECT ASSEMBLY, FOLLOW FIRST ARTICLE AND IN PROCESS INSPECTION SHEET.

BILL OF MATERIAL (CURRENT LEVEL)

ITEM	PT/ASSY	DESCRIPTION	TYPE	QTY.
1	2-440	THERMO SHOWERPLATE ROUND	ASSEMBLY	1
2	11029	SLEEVE - THERMO	PART	1
3	2-339	THERMO BONNET ASM - CONT	ASSEMBLY	1
4	92113	SCRW, M4 X .7 X 40 PHL FLT HD SS	PART	1
5	91308	TEMP LIMIT STOP - THERMO	PART	1
6	2-354	THERMO LEVER HANDLE	ASSEMBLY	1
7	92422	HEX KEY, 1/8" ALLOY STEEL	PART	1



ZONE	REV	DESCRIPTION	DATE	APPROVED
-	C	EN-3961-2	06/24/20	J.M.
-	B	EN-2440	01/23/13	H.L.
-	A	EN-1544	04/28/10	-
-	-	RELEASED	01/17/03	-

COPYRIGHT 2005 BRASSTECH, INC. THESE DRAWINGS AND THE DESIGNS DEPICTED HEREIN ARE THE PROPRIETARY PROPERTY OF BRASSTECH. ANY USE OR REPRODUCTION IS SUBJECT TO THE EXPRESS APPROVAL OF BRASSTECH. UNAUTHORIZED USE IS STRICTLY PROHIBITED. ALL RIGHTS RESERVED.

TESTING	-	-	-
ASSEMBLY	-	-	-
PLATING	-	-	-
POLISHING	-	NEXT ASSY	USED ON
MACHINING	-	APPLICATION	
TOOLING FIXTURE #	REMOVE ALL BURRS AND SHARP EDGES		

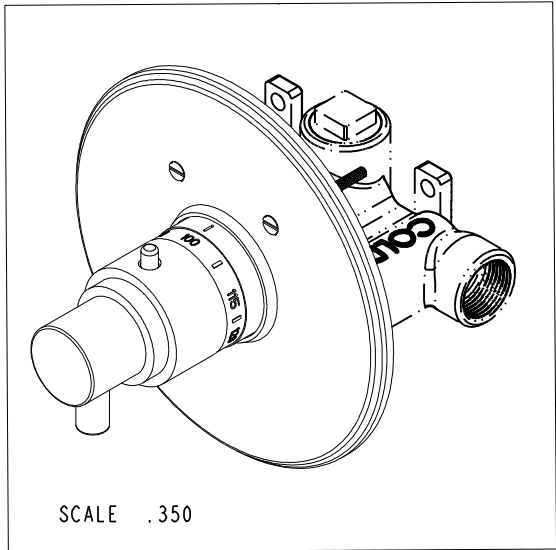
UNITS ARE: INCHES [MM]	
FRACTIONS	DECIMALS
±1/16"	.X ±.1 [2.5]
	.XX ±.06 [1.5]
(X.XXX) DENOTES CRITICAL DIMS. ALL THREADS ARE CRITICAL	
DRAWN	01/17/03
CHECKED	01/17/03
APPROVED	01/17/03

BRASSTECH 2001 CARNEGIE AVE. SANTA ANA, CA 92705 (949) 417-5207
INCORPORATED

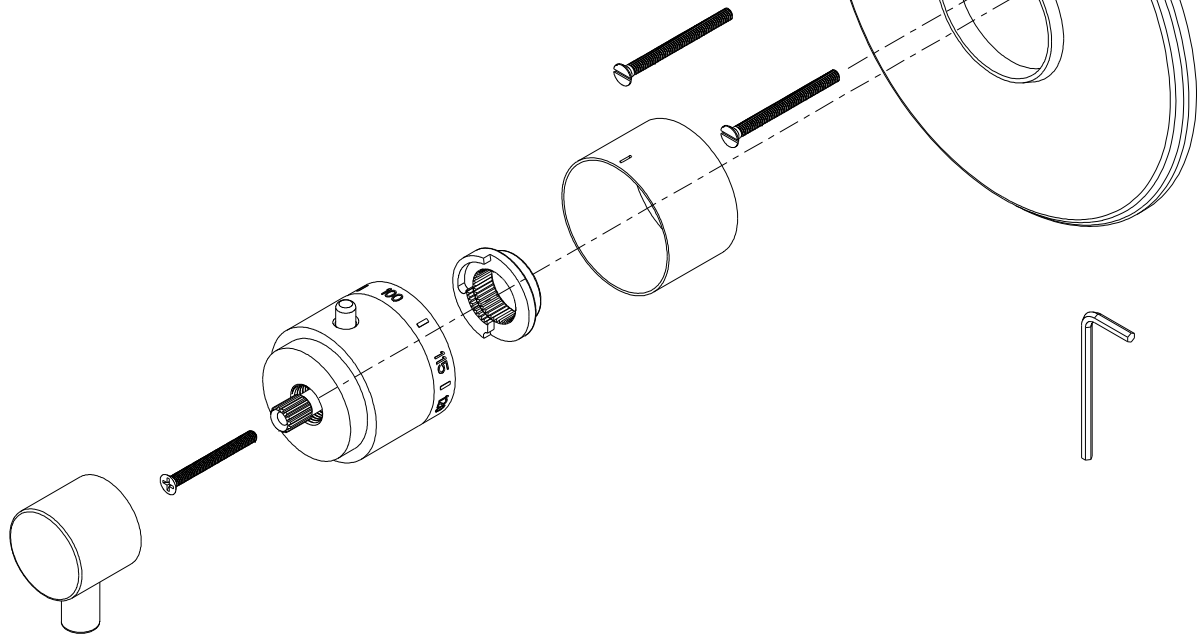
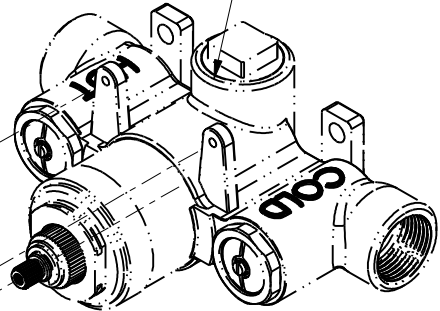
TRIM KIT-SHOWER SET THERMO RD.

DWG NO. **3-1504TR** REV **C**

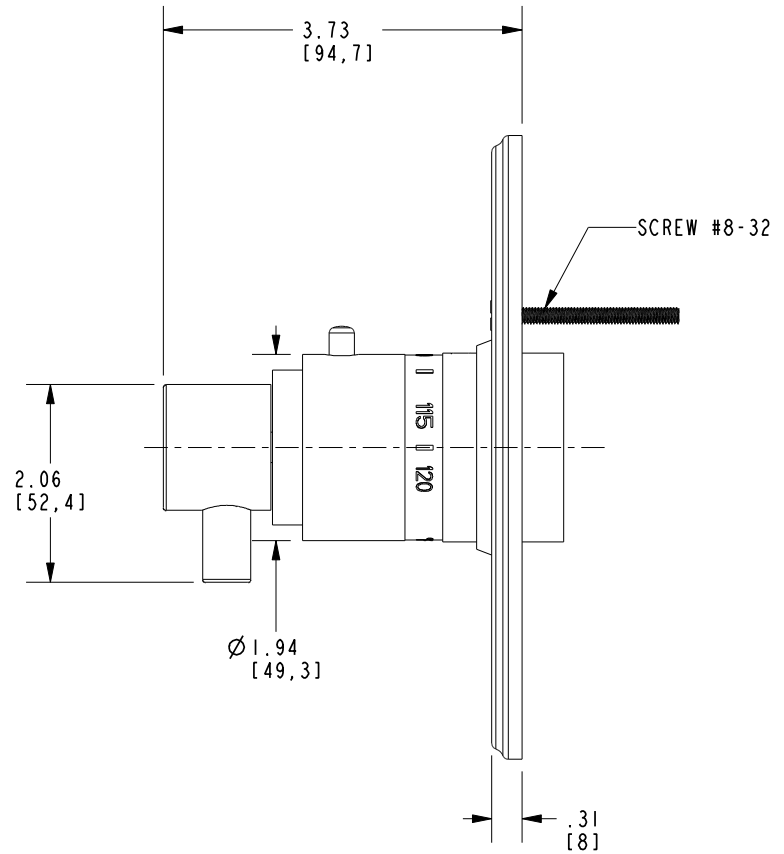
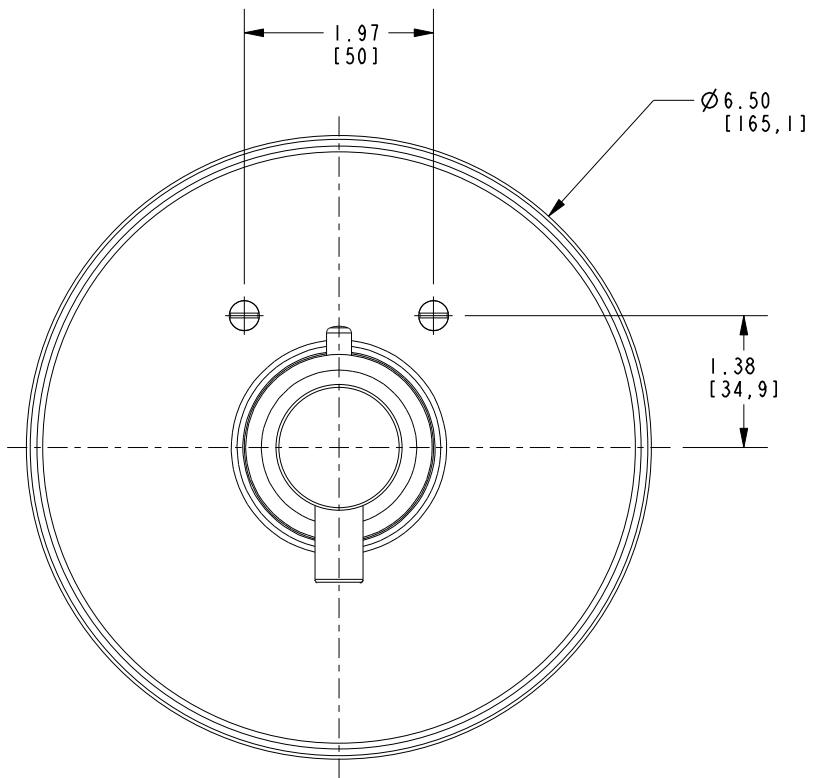
SCALE .400 REF. - SHEET 1 OF 3



PN: 1-540
SOLD SEPARATELY



BRASSTECH		2001 CARNEGIE AVE. SANTA ANA, CA 92705 (949) 417-5207	
INCORPORATED			
DWG NO.	3-1504TR	REV	C
SCALE .400	REF. -	SHEET 2	OF 3



BRASSTECH		2001 CARNEGIE AVE. SANTA ANA, CA 92705 (949) 417-5207	
INCORPORATED			
DWG NO.	3-1504TR	REV	C
SCALE	.400	REF.	-
		SHEET	3 OF 3