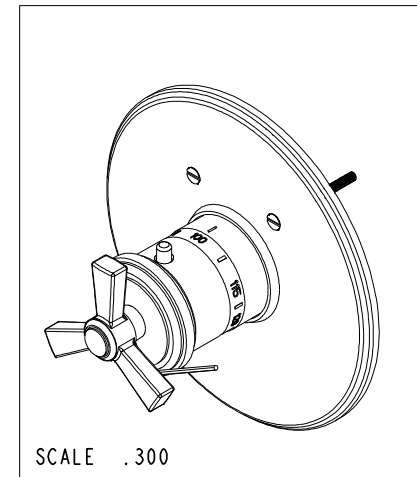
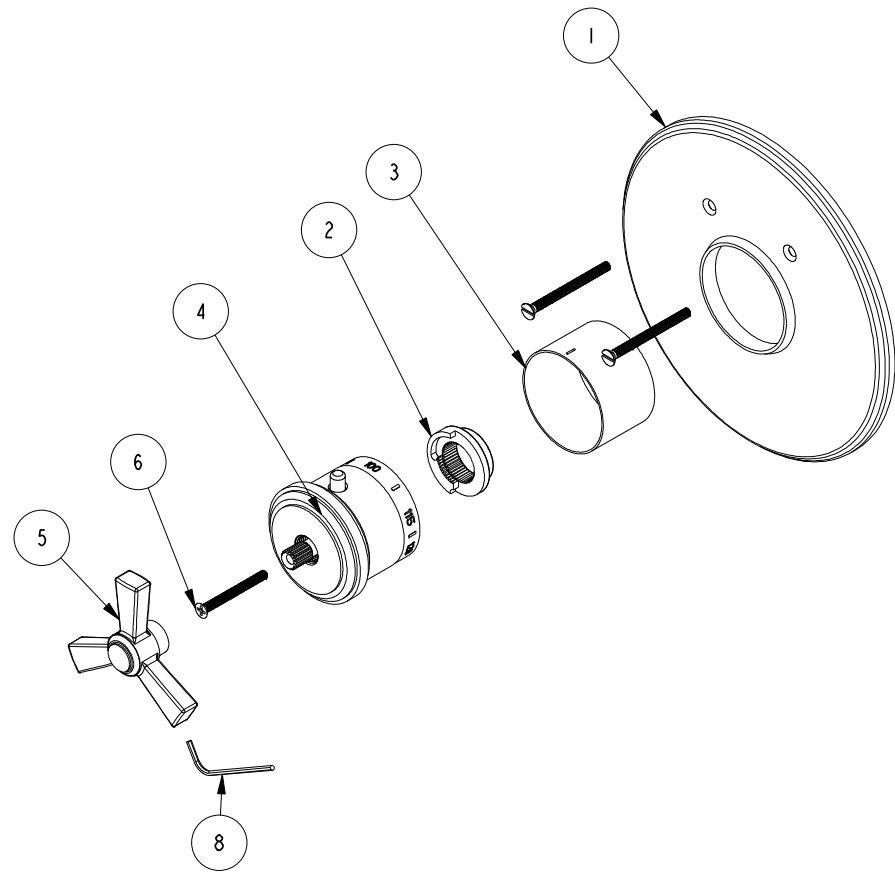


NOTES:

1. TO INSPECT ASSEMBLY, FOLLOW FIRST ARTICLE AND IN PROCESS INSPECTION SHEET.

BILL OF MATERIAL (CURRENT LEVEL)

ITEM	PT/ASSY	DESCRIPTION	TYPE	QTY.
1	2-440	THERMO SHOWERPLATE ROUND	ASSEMBLY	1
2	91308	TEMP LIMIT STOP - THERMO	PART	1
3	11029	SLEEVE - THERMO	PART	1
4	2-441	THERMO BONNET ASM	ASSEMBLY	1
5	2-435	CROSS HANDLE ASM	ASSEMBLY	1
6	92113	SCRW, M4 X .7 X 40 PHL FLT HD SS	PART	1
7	1-540	THERMOSTATIC VALVE ASSEMBLY	ASSEMBLY	1
8	10192	HEX KEY TOOL, #8 5/64	PART	1



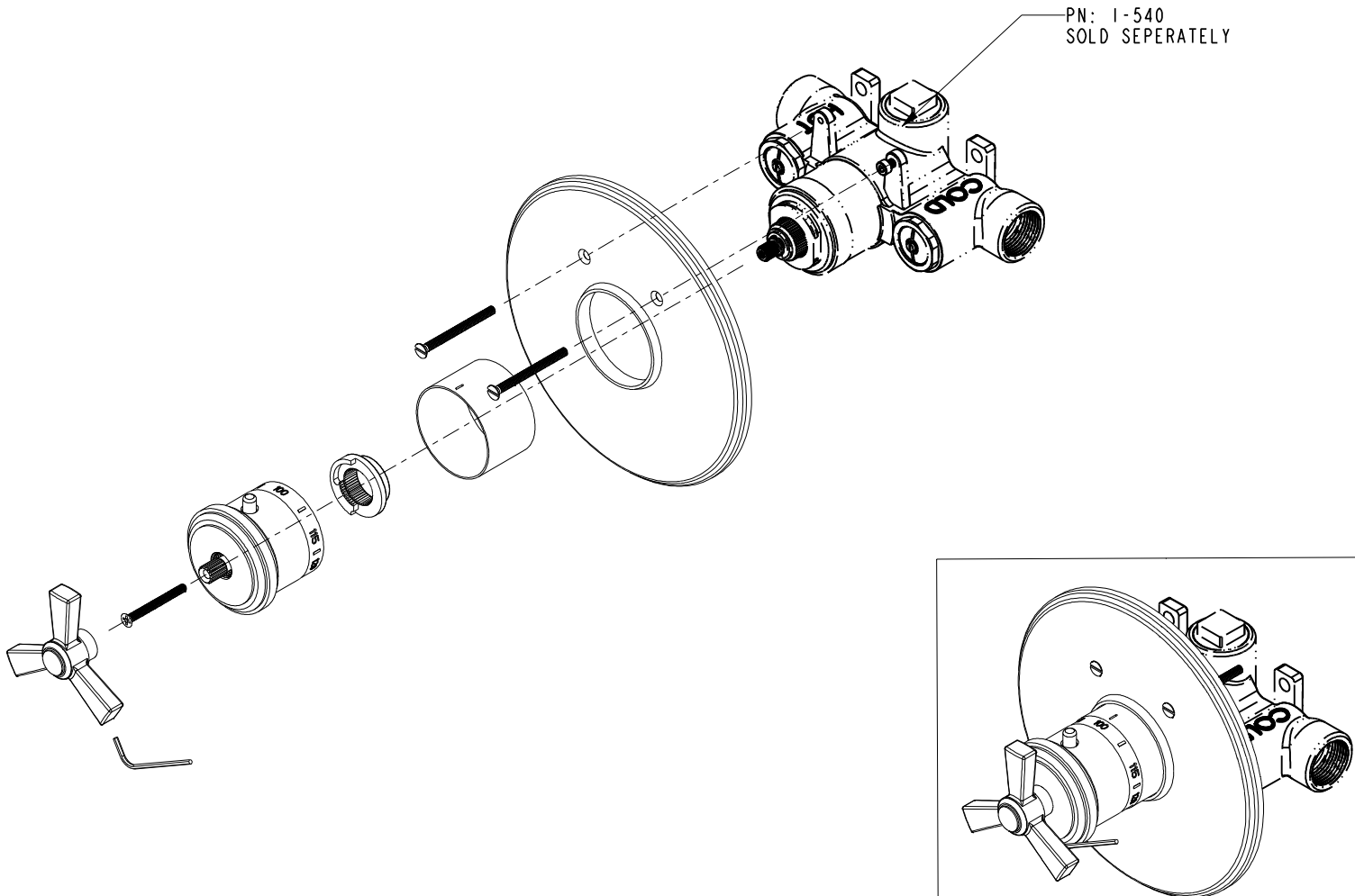
ZONE	REV	DESCRIPTION	DATE	APPROVED
-	A	EN-3961-2	07/06/20	J.M.
-	-	EO-0255	01/27/04	-

COPYRIGHT 2005 BRASSTECH, INC.
 THESE DRAWINGS AND THE DESIGNS
 DEPICTED HEREIN ARE THE PROPRIETARY
 PROPERTY OF BRASSTECH. ANY USE
 OR REPRODUCTION IS SUBJECT TO
 THE EXPRESS APPROVAL OF BRASSTECH.
 UNAUTHORIZED USE IS STRICTLY
 PROHIBITED. ALL RIGHTS RESERVED.

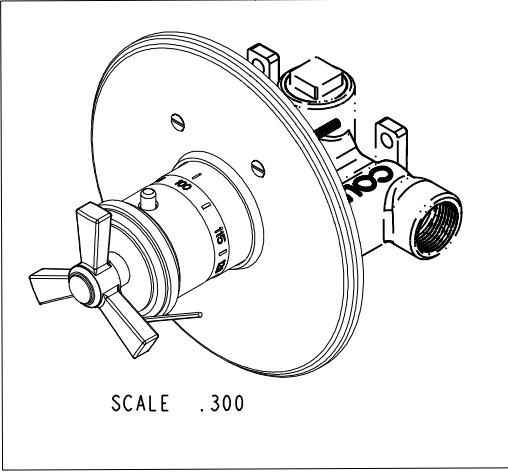
TESTING	ASSEMBLY	PLATING	POLISHING	MACHINING	TOOLING FIXTURE #	APPLICATION
-	-	-	-	-	-	REMOVE ALL BURRS AND SHARP EDGES

UNITS ARE: INCHES [MM]		
TOLERANCES ARE:		
FRACTIONS	DECIMALS	ANGLES
±1/16"	.X ±.1 [2.5]	±1°
	.XX ±.06 [1.5]	
(X.XXX) DENOTES CRITICAL DIMS.		
ALL THREADS ARE CRITICAL		
DRAWN	-	01/27/04
CHECKED	-	01/27/04
APPROVED	-	01/27/04

BRASSTECH		2001 CARNEGIE AVE. SANTA ANA, CA 92705 (949) 417-5207	
INCORPORATED			
THERMO TRIM KIT - SHWR SET			
DWG NO.		REV	
3-1604TR		A	
SCALE	REF.	SHEET	OF
.300	-	1	3

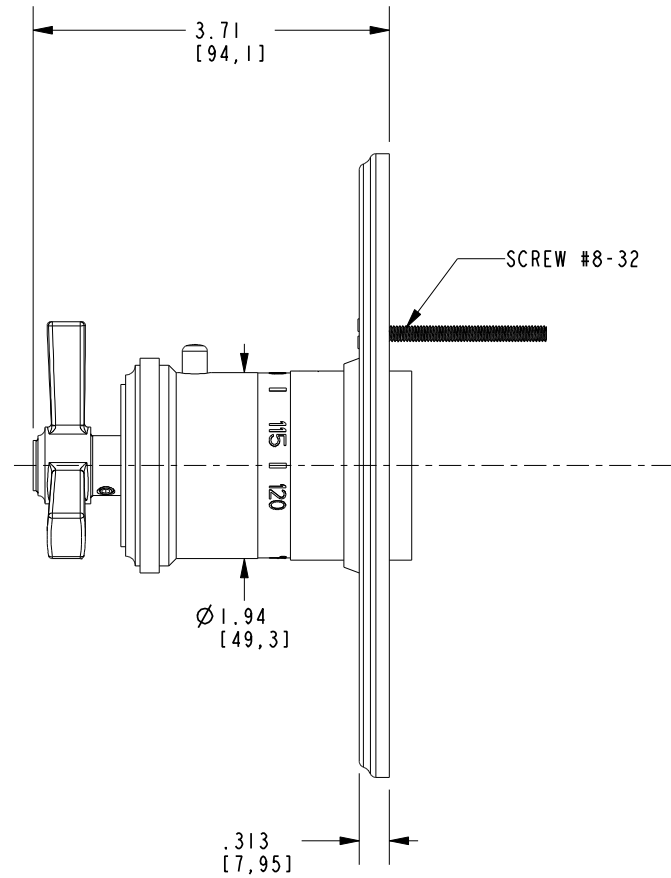
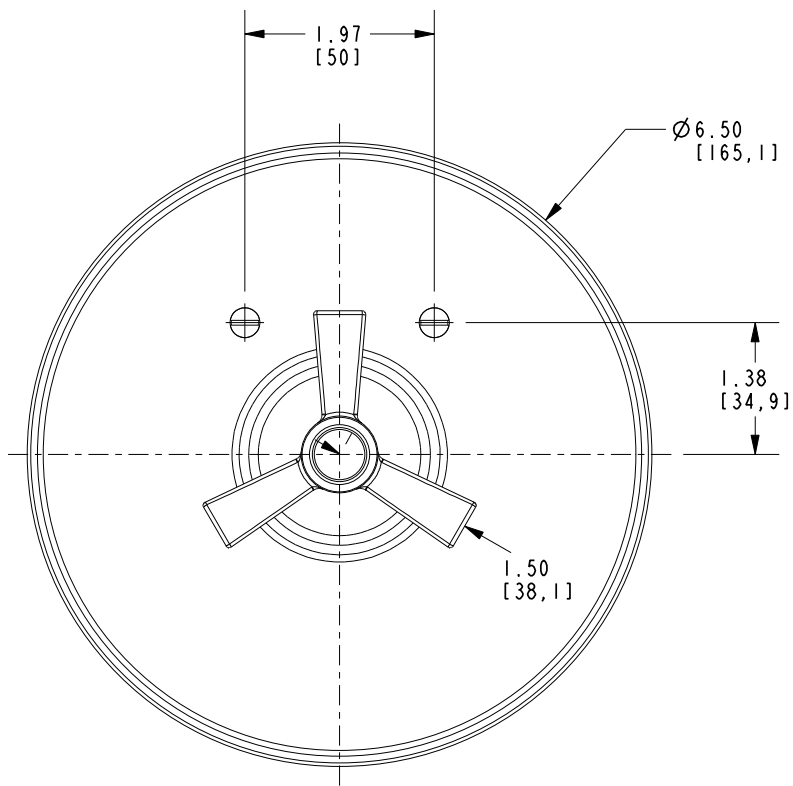


PN: 1-540
SOLD SEPERATELY



SCALE .300

BRASSTECH		2001 CARNEGIE AVE. SANTA ANA, CA 92705 (949) 417-5207	
INCORPORATED			
DWG NO.	3-1604TR	REV	A
SCALE .300	REF. -	SHEET 2	OF 3



BRASSTECH		2001 CARNEGIE AVE. SANTA ANA, CA 92705 (949) 417-5207	
INCORPORATED			
DWG NO.	3-1604TR	REV	A
SCALE	.300	REF.	-
		SHEET	3 OF 3