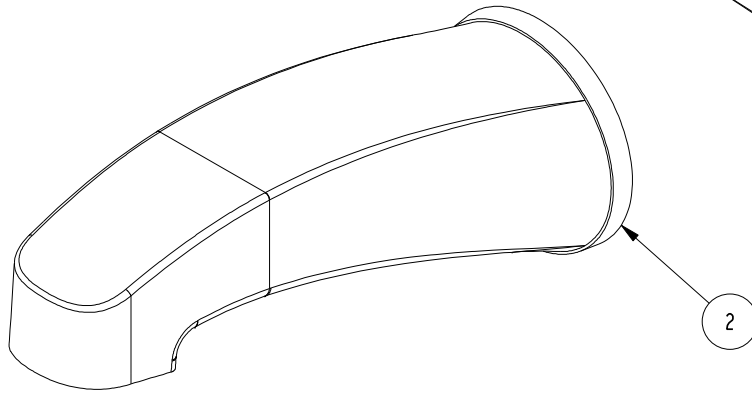
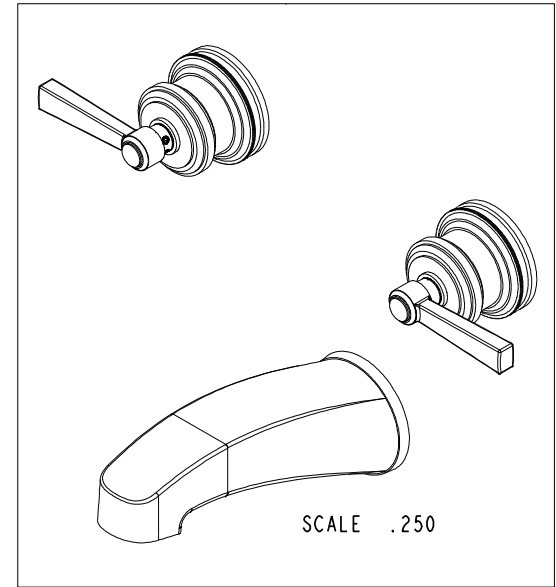
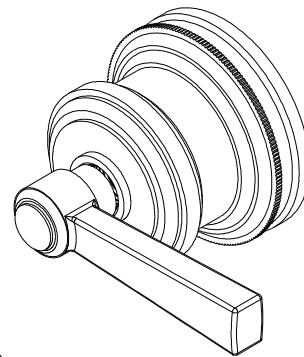
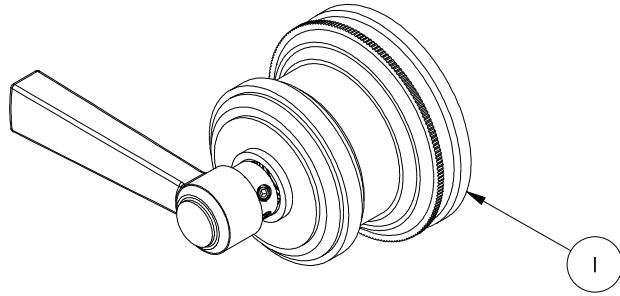


NOTES:

1. TO INSPECT ASSEMBLY, FOLLOW FIRST ARTICLE AND IN PROCESS INSPECTION SHEET.

BILL OF MATERIAL (CURRENT LEVEL)

ITEM	PT/ASSY	DESCRIPTION	TYPE	QTY.
1	3-279L	LEVER HANDLE/ESCUTCHEON ASM	ASSEMBLY	2
2	2-564	TUB SPOUT	ASSEMBLY	1



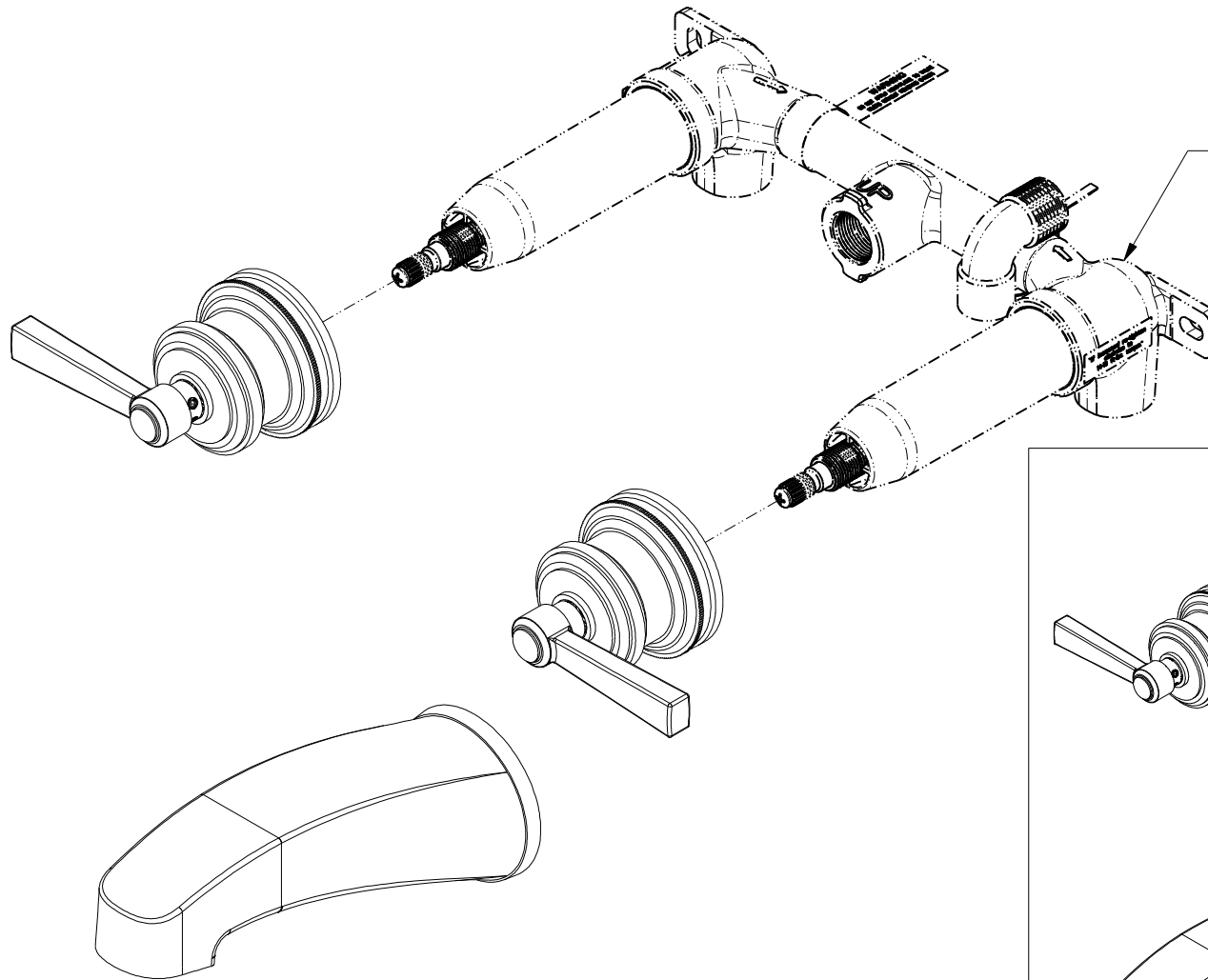
ZONE	REV	DESCRIPTION	DATE	APPROVED
-	B	EN-3961-2	05/22/20	R.S.
-	A	EN-3072	06/07/16	J.M.

COPYRIGHT 2005 BRASSTECH, INC. THESE DRAWINGS AND THE DESIGNS DEPICTED HEREIN ARE THE PROPRIETARY PROPERTY OF BRASSTECH. ANY USE OR REPRODUCTION IS SUBJECT TO THE EXPRESS APPROVAL OF BRASSTECH. UNAUTHORIZED USE IS STRICTLY PROHIBITED. ALL RIGHTS RESERVED.

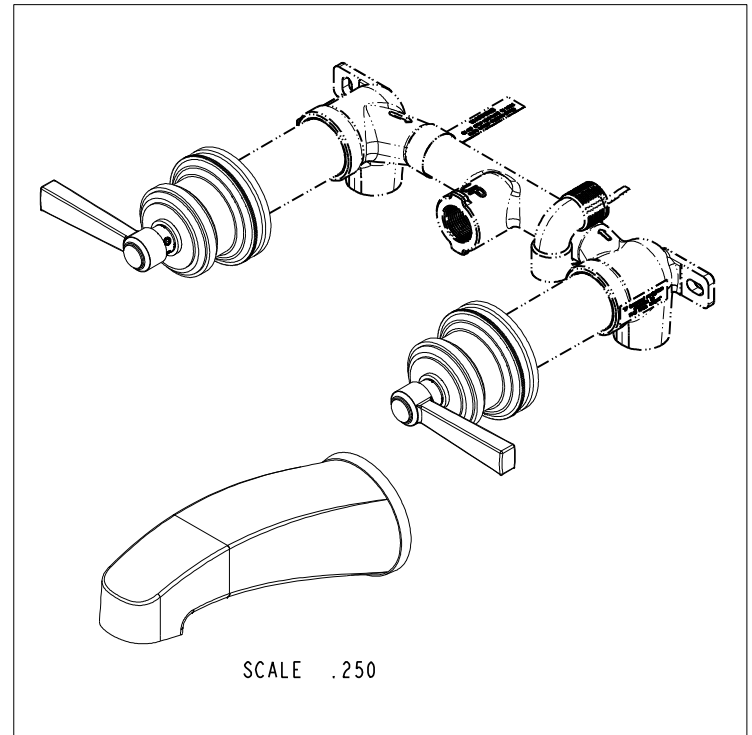
TESTING	-	-	-	
ASSEMBLY	-	-	-	
PLATING	-	-	-	
POLISHING	-	NEXT ASSY	USED ON	
MACHINING	-	APPLICATION		
TOOLING FIXTURE #		REMOVE ALL BURRS AND SHARP EDGES		

UNITS ARE: INCHES [MM]		
TOLERANCES ARE:		
FRACTIONS	DECIMALS	ANGLES
±1/16"	.X ±.1 [2,5]	±1°
	.XX ±.06 [1,5]	
(X.XXX) DENOTES CRITICAL DIMS.		
ALL THREADS ARE CRITICAL		
DRAWN	JIMSON	05/22/20
CHECKED	R.S.	05/22/20
APPROVED	R.S.	05/22/20

BRASSTECH		2001 CARNEGIE AVE. SANTA ANA, CA 92705 (949) 417-5207	
INCORPORATED			
TRIM KIT (3-1625)			
DWG NO.		REV	
3-1625		B	
SCALE	REF.	SHEET	OF
.500	-	1	3

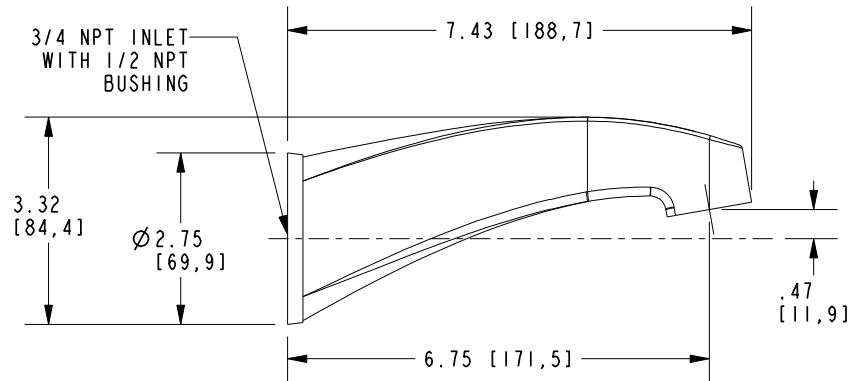
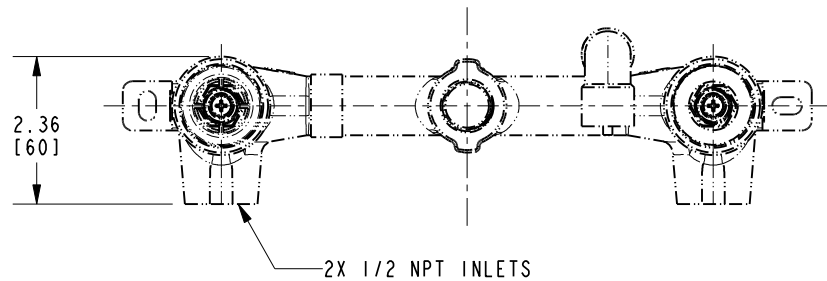
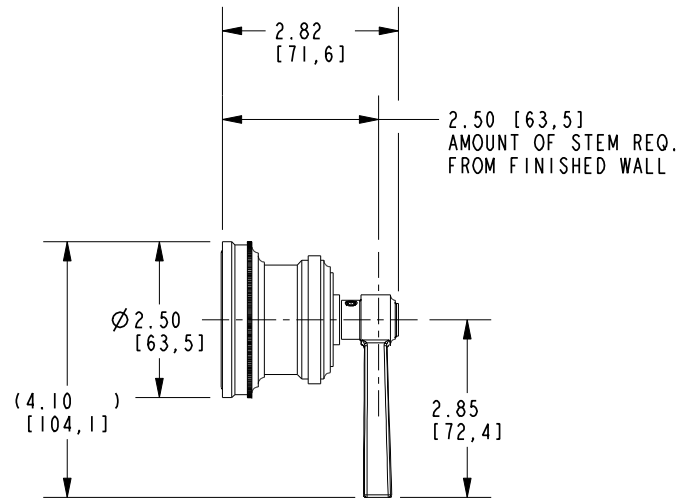
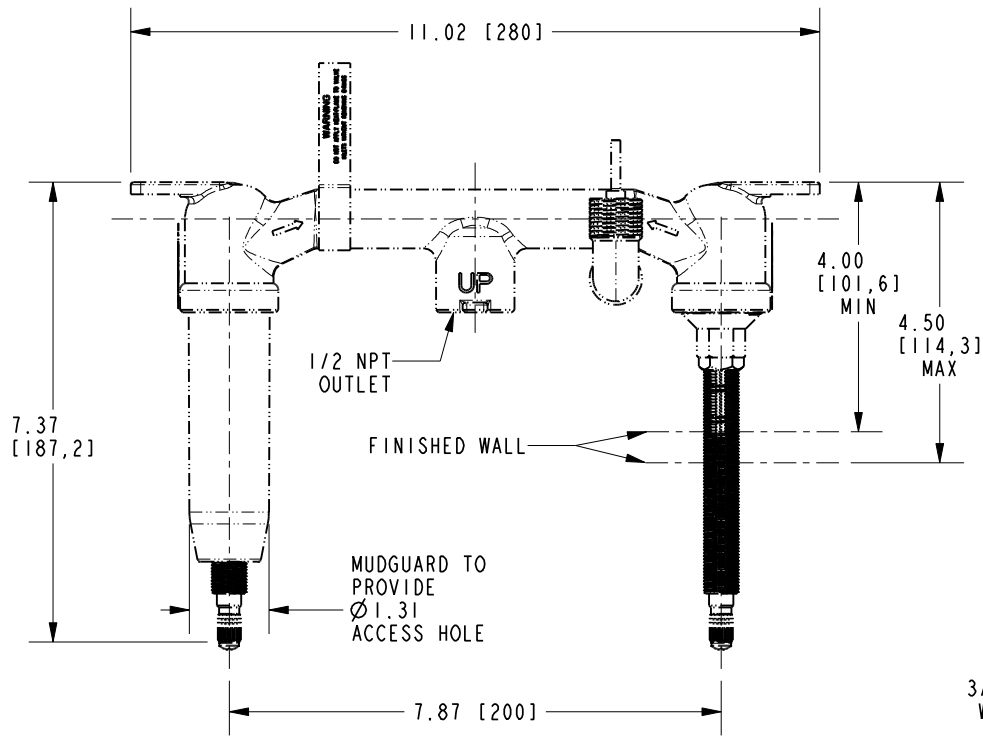


PN: 1-500U
SOLD SEPARATELY



SCALE .250

BRASSTECH		2001 CARNEGIE AVE. SANTA ANA, CA 92705 (949) 417-5207	
INCORPORATED			REV
DWG NO.	3-1625		B
SCALE .375	REF. -	SHEET 2	OF 3



BRASSTECH		2001 CARNEGIE AVE. SANTA ANA, CA 92705 (949) 417-5207	
INCORPORATED			
DWG NO.	3-1625	REV	B
SCALE	.325	REF.	-
		SHEET	3 OF 3