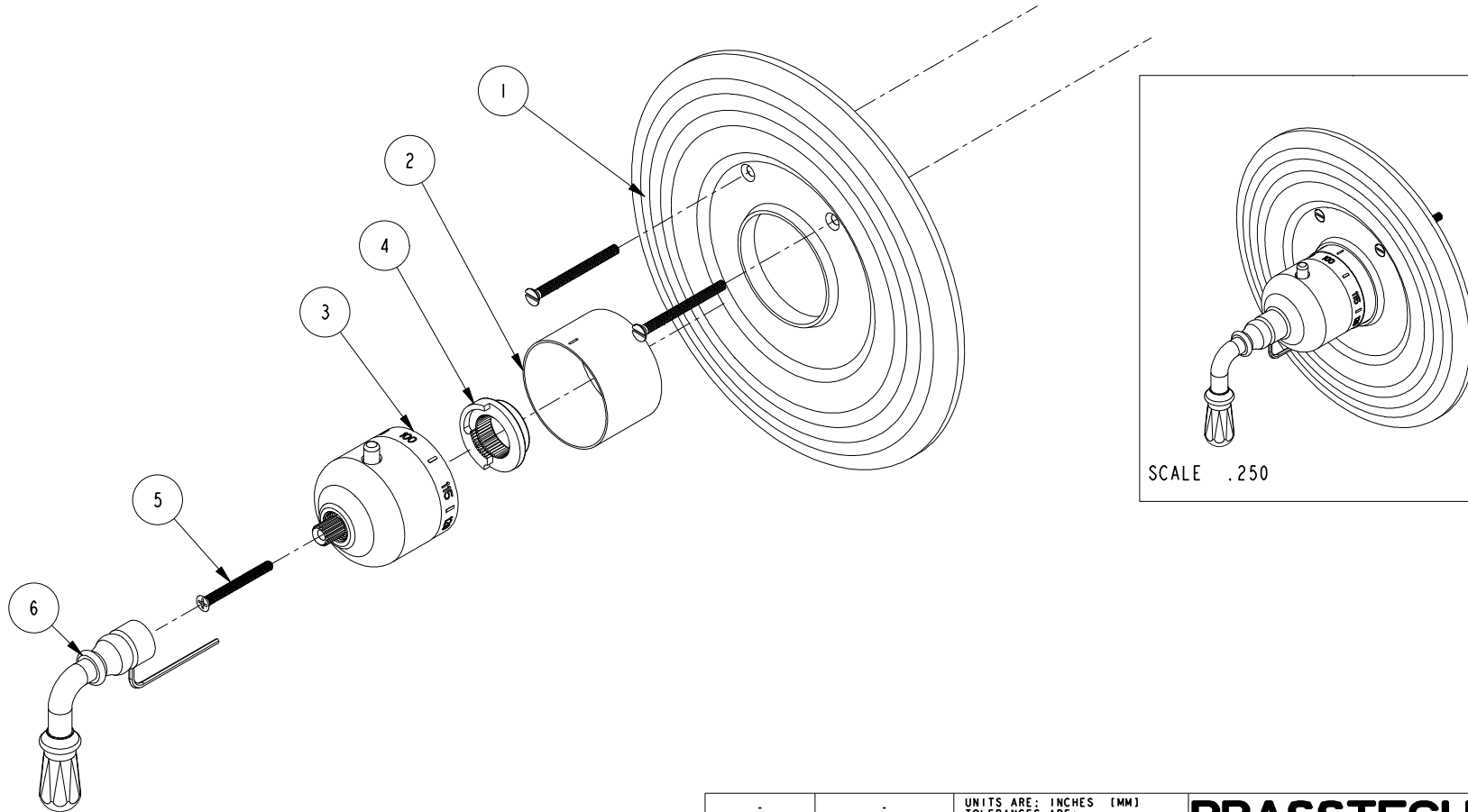


NOTES:

1. TO INSPECT ASSEMBLY, FOLLOW FIRST ARTICLE AND IN PROCESS INSPECTION SHEET.

BILL OF MATERIAL (CURRENT LEVEL)

ITEM	PT/ASSY	DESCRIPTION	TYPE	QTY.
1	2-337	THERMO ROUND PLATE ASSEMBLY	ASSEMBLY	1
2	11029	SLEEVE - THERMO	PART	1
3	2-336	THERMO BONNET ASM - TRAD	ASSEMBLY	1
4	91308	TEMP LIMIT STOP - THERMO	PART	1
5	92113	SCRW, M4 X .7 X 40 PHL FLT HD SS	PART	1
6	2-471	THERMO LEVER HANDLE ASM	ASSEMBLY	1



SCALE .250

ZONE	REV	DESCRIPTION	DATE	APPROVED
-	B	EN-3961-2	06/22/20	J.M.
-	A	EN-2713	03/12/14	J.M.
-	-	EO-0390	07/16/04	-

COPYRIGHT 2005 BRASSTECH, INC. THESE DRAWINGS AND THE DESIGNS DEPICTED HEREIN ARE THE PROPRIETARY PROPERTY OF BRASSTECH. ANY USE OR REPRODUCTION IS SUBJECT TO THE EXPRESS APPROVAL OF BRASSTECH. UNAUTHORIZED USE IS STRICTLY PROHIBITED. ALL RIGHTS RESERVED.

TESTING	-	-	-
ASSEMBLY	-	-	-
PLATING	-	-	-
POLISHING	-	NEXT ASSY	USED ON
MACHINING	-	APPLICATION	
TOOLING FIXTURE #	REMOVE ALL BURRS AND SHARP EDGES		

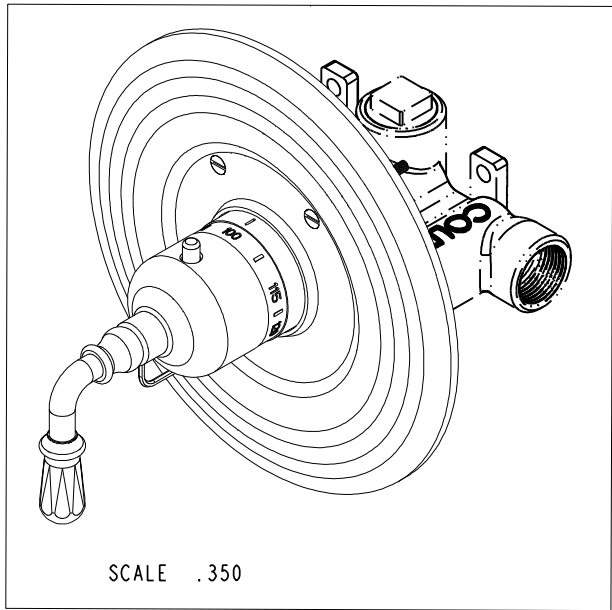
UNITS ARE: INCHES [MM]	
TOLERANCES ARE:	
FRACTIONS	DECIMALS
±1/16"	.X ±.1 [2.5]
	.XX ±.06 [1.5]
(X.XXX) DENOTES CRITICAL DIMS.	
ALL THREADS ARE CRITICAL	
DRAWN	-
CHECKED	-
APPROVED	-

BRASSTECH 2001 CARNEGIE AVE.
INCORPORATED SANTA ANA, CA 92705
(949) 417-5207

ROUND TRIM THERMO

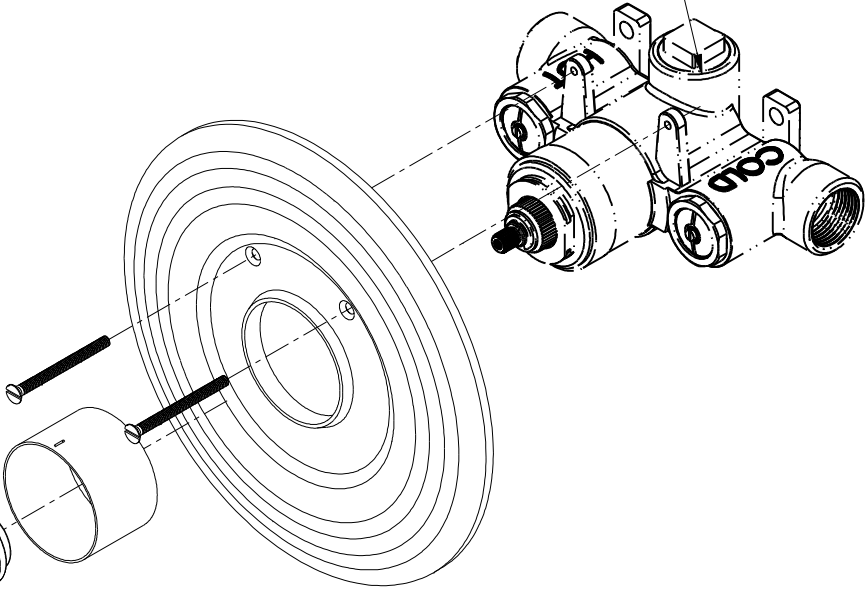
DWG NO. **3-1744TR** REV **B**

SCALE .350 REF. - SHEET 1 OF 3

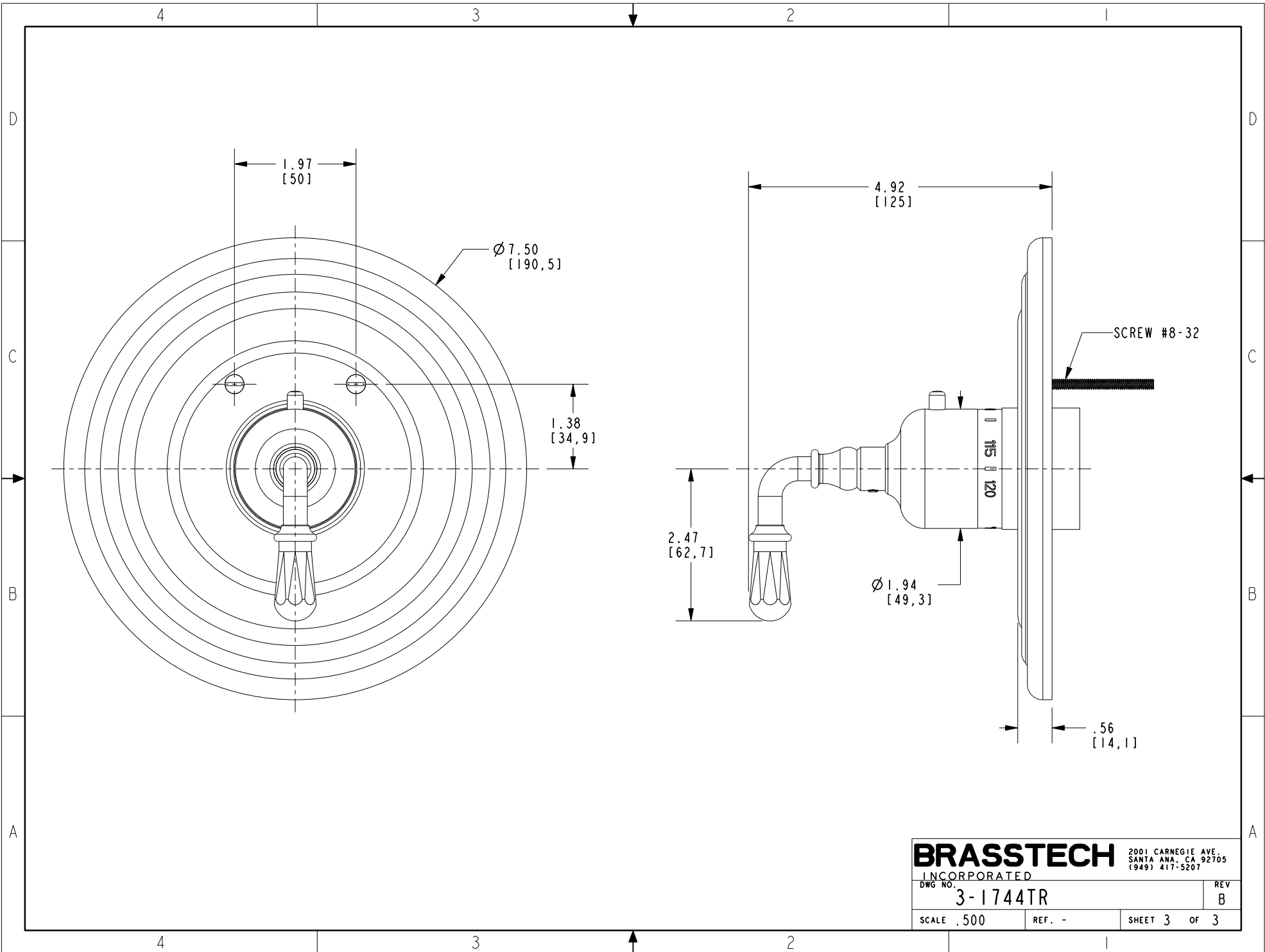


SCALE .350

PN: 1-540 SOLD SEPARATELY



BRASSTECH		2001 CARNEGIE AVE. SANTA ANA, CA 92705 (949) 417-5207	
INCORPORATED			
DWG NO.	3-1744TR	REV	B
SCALE .250	REF. -	SHEET 2	OF 3



BRASSTECH 2001 CARNEGIE AVE.
 INCORPORATED SANTA ANA, CA 92705
 (949) 417-5207

DWG NO.	REV
3-1744TR	B
SCALE .500	REF. -
SHEET 3	OF 3