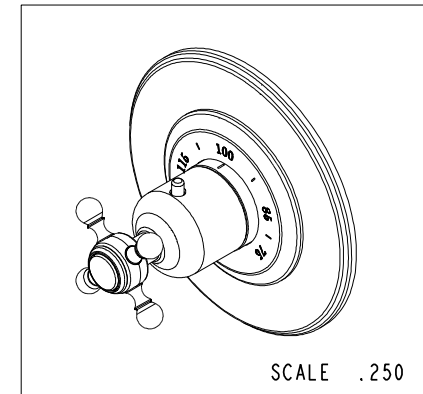
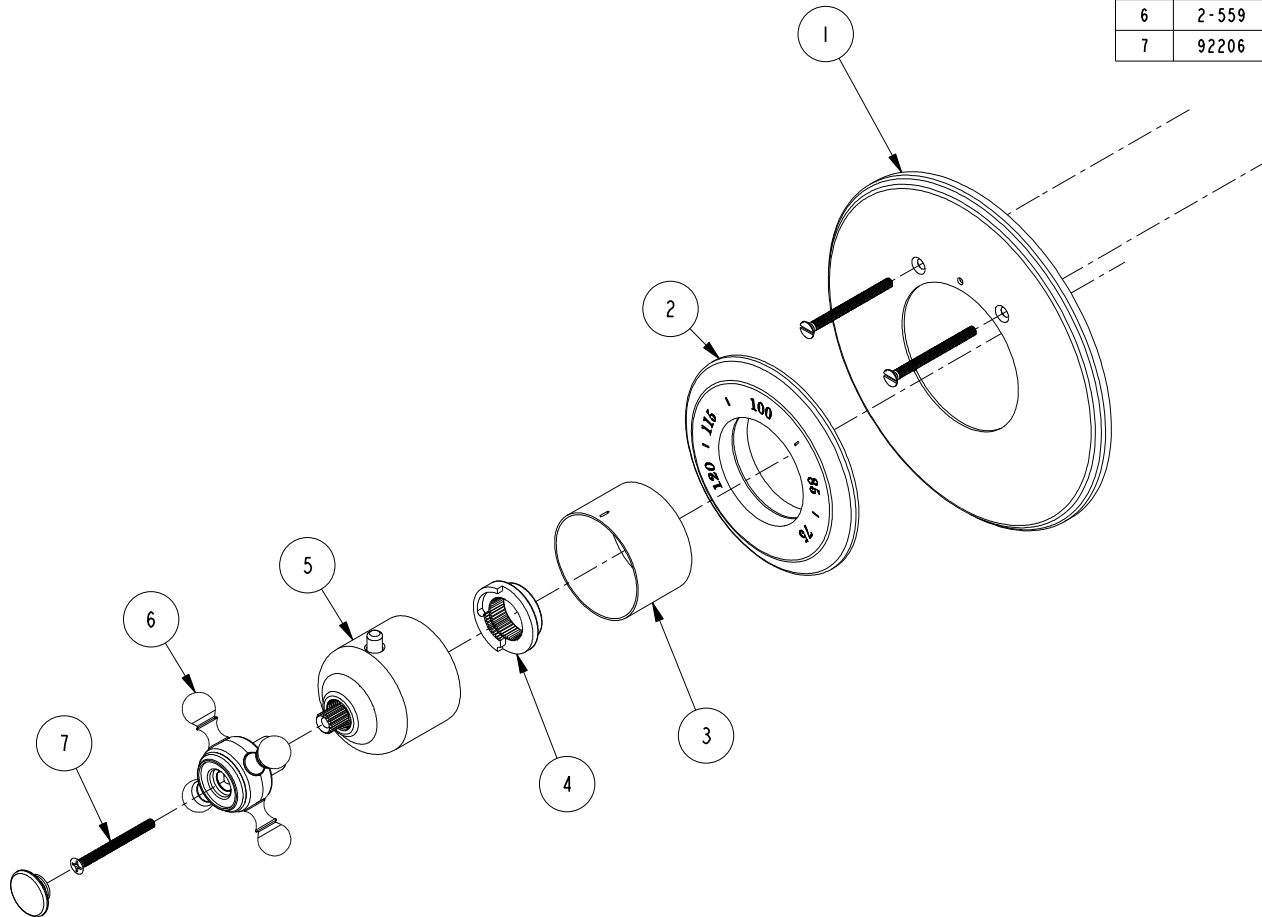


NOTES:

1. TO INSPECT ASSEMBLY, FOLLOW FIRST ARTICLE AND IN PROCESS INSPECTION SHEET.

BILL OF MATERIAL (CURRENT LEVEL)

ITEM	PT/ASSY	DESCRIPTION	TYPE	QTY.
1	2-500	THERMO SHOWER PLATE ROUND	ASSEMBLY	1
2	2-558	NOMENCLATURE RING ASM	ASSEMBLY	1
3	11029	SLEEVE - THERMO	PART	1
4	91308	TEMP LIMIT STOP - THERMO	PART	1
5	20-325	THERMO BONNET ASM - TRAD	ASSEMBLY	1
6	2-559	CROSS HANDLE ASM	ASSEMBLY	1
7	92206	SCRW, M4 X 0.7 X 45 PHIL FLT HD SS	PART	1



-	C	EN-3961-2	07/06/20	J.M.
-	B	EN-3502	12/20/17	JM
-	A	EO-0769	10/11/06	-
-	-	EO-0744	07/14/06	-
ZONE	REV	DESCRIPTION	DATE	APPROVED

COPYRIGHT 2005 BRASSTECH, INC. THESE DRAWINGS AND THE DESIGNS DEPICTED HEREIN ARE THE PROPRIETARY PROPERTY OF BRASSTECH. ANY USE OR REPRODUCTION IS SUBJECT TO THE EXPRESS APPROVAL OF BRASSTECH. UNAUTHORIZED USE IS STRICTLY PROHIBITED. ALL RIGHTS RESERVED.

TESTING	-	-	-
ASSEMBLY	-	-	-
PLATING	-	-	-
POLISHING	-	NEXT ASSY	USED ON
MACHINING	-	APPLICATION	
TOOLING FIXTURE #	REMOVE ALL BURRS AND SHARP EDGES		

UNITS ARE: INCHES [MM]
TOLERANCES ARE:
FRACTIONS DECIMALS ANGLES
±1/16" .X ±.1 [2.5] ±1°
.XX ±.06 [1.5]

(X.XXX) DENOTES CRITICAL DIMS.
ALL THREADS ARE CRITICAL

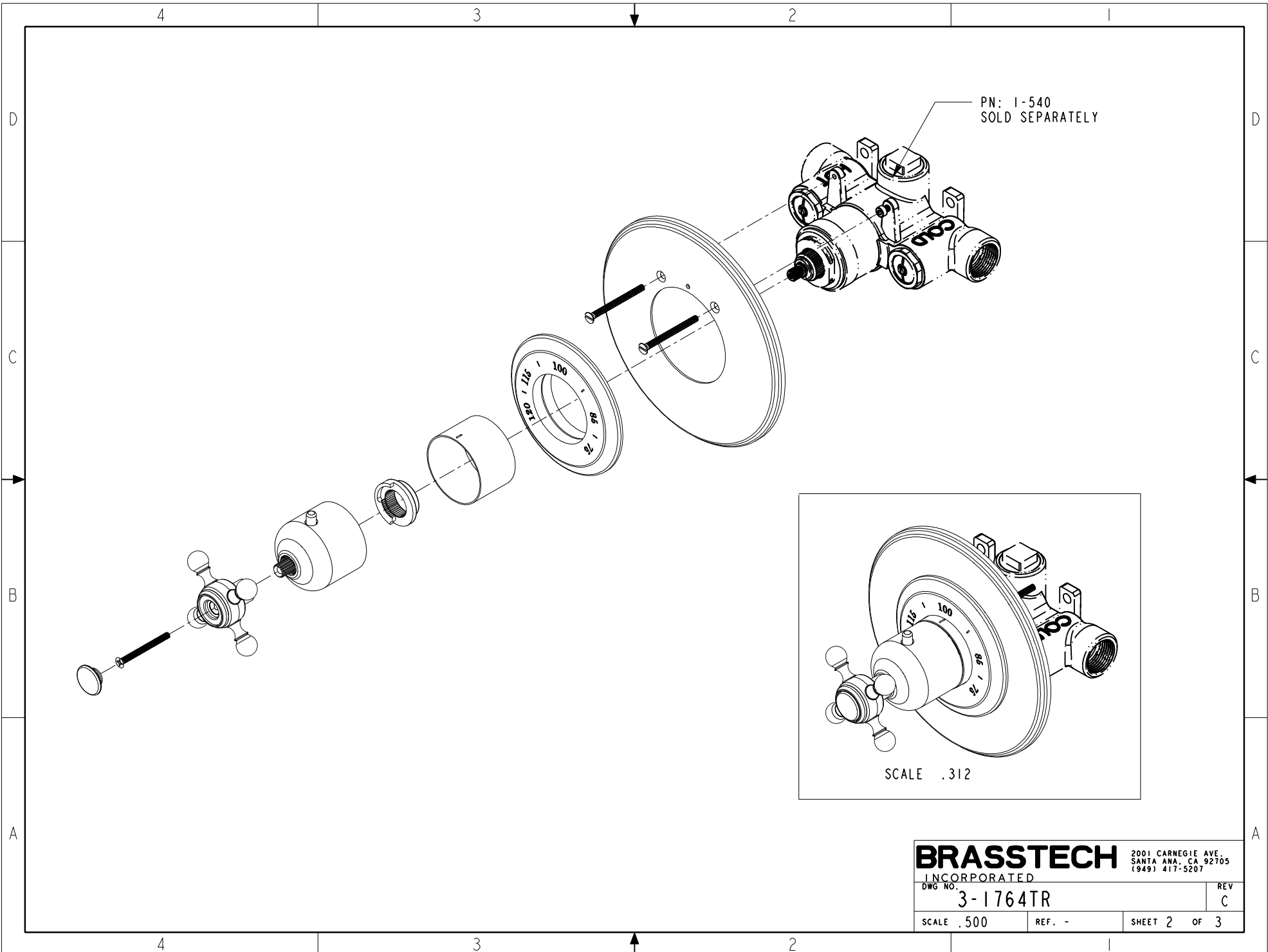
DRAWN	AN	-
CHECKED	AN	-
APPROVED	JM	-

BRASSTECH 2001 CARNEGIE AVE.
INCORPORATED SANTA ANA, CA 92705
(949) 417-5207

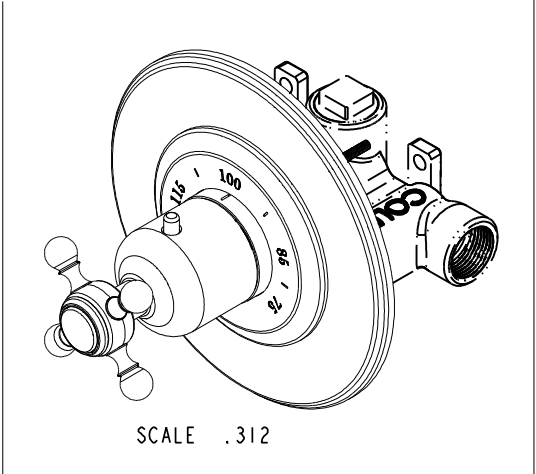
THERMO SHOWER TRIM

DWG NO. **3-1764TR** REV **C**

SCALE .312 REF. - SHEET 1 OF 3

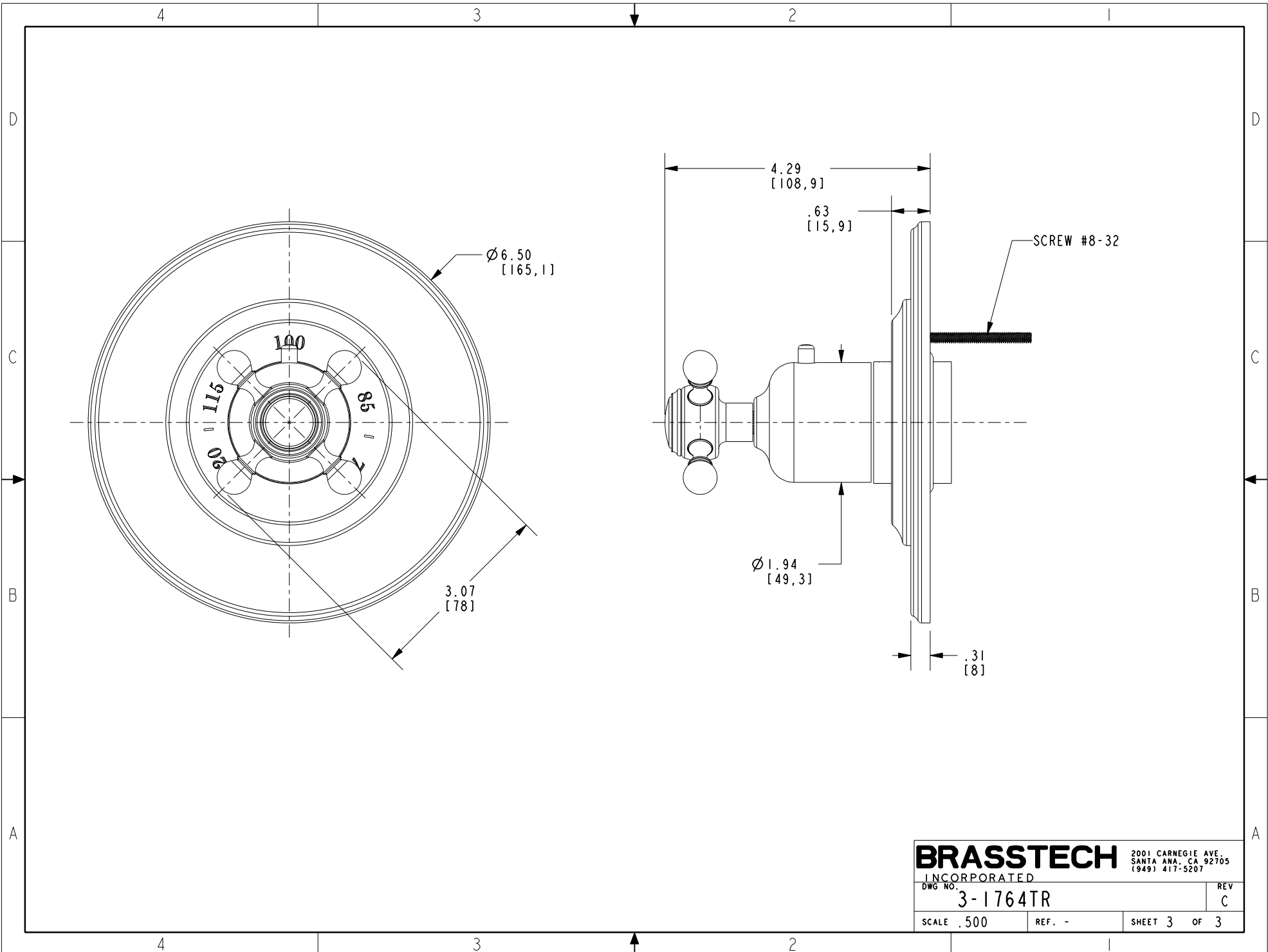


PN: 1-540
SOLD SEPARATELY



SCALE .312

BRASSTECH		2001 CARNEGIE AVE. SANTA ANA, CA 92705 (949) 417-5207	
INCORPORATED			REV
DWG NO. 3-1764TR			C
SCALE .500	REF. -	SHEET 2 OF 3	



BRASSTECH 2001 CARNEGIE AVE.
 INCORPORATED SANTA ANA, CA 92705
 (949) 417-5207

DWG NO.	3-1764TR	REV	C
SCALE	.500	REF.	-
		SHEET	3 OF 3