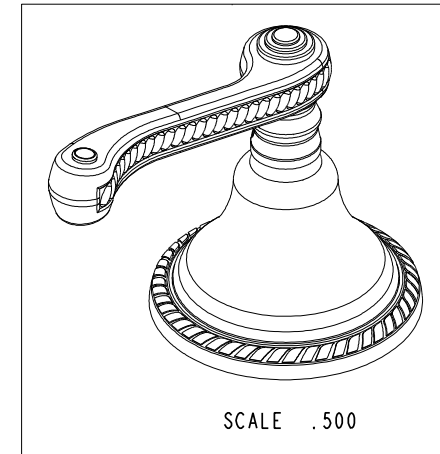
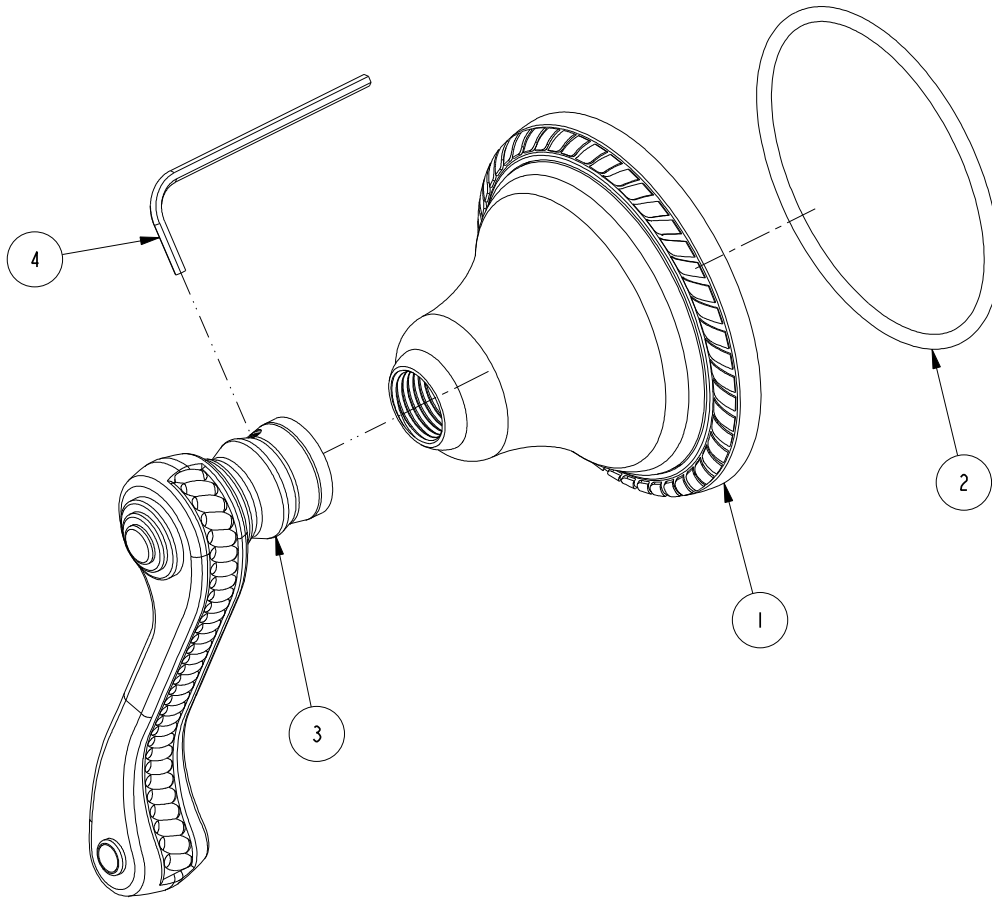


NOTES:

1. TO INSPECT ASSEMBLY, FOLLOW FIRST ARTICLE AND IN PROCESS INSPECTION SHEET.

BILL OF MATERIAL (CURRENT LEVEL)

ITEM	PT/ASSY	DESCRIPTION	TYPE	QTY.
1	2-183	ESCUTCHEON ASM	ASSEMBLY	1
2	91755	O-RING, #2-142, EPDM, 50 DURO - GREY	PART	1
3	2-181	HANDLE ASM - LEFT	ASSEMBLY	1
4	10192	HEX KEY TOOL, #8 5/64	PART	1



ZONE	REV	DESCRIPTION	DATE	APPROVED
-	C	EN-4300j	12/16/20	R.S.
-	B	EN-3722	02/08/19	C.G.
-	A	EN-2032	01/08/14	-
-	-	EN-1629	09/30/10	-

COPYRIGHT 2005 BRASSTECH, INC. THESE DRAWINGS AND THE DESIGNS DEPICTED HEREIN ARE THE PROPRIETARY PROPERTY OF BRASSTECH. ANY USE OR REPRODUCTION IS SUBJECT TO THE EXPRESS APPROVAL OF BRASSTECH. UNAUTHORIZED USE IS STRICTLY PROHIBITED. ALL RIGHTS RESERVED.

TESTING	-	-	-
ASSEMBLY	-	-	-
PLATING	-	3-985	985
POLISHING	-	NEXT ASSY	USED ON
MACHINING	-	APPLICATION	
TOOLING FIXTURE #	REMOVE ALL BURRS AND SHARP EDGES		

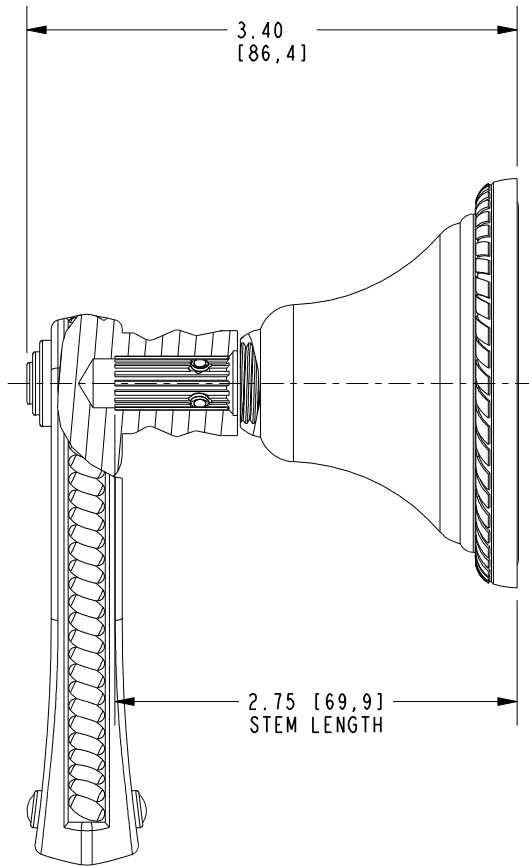
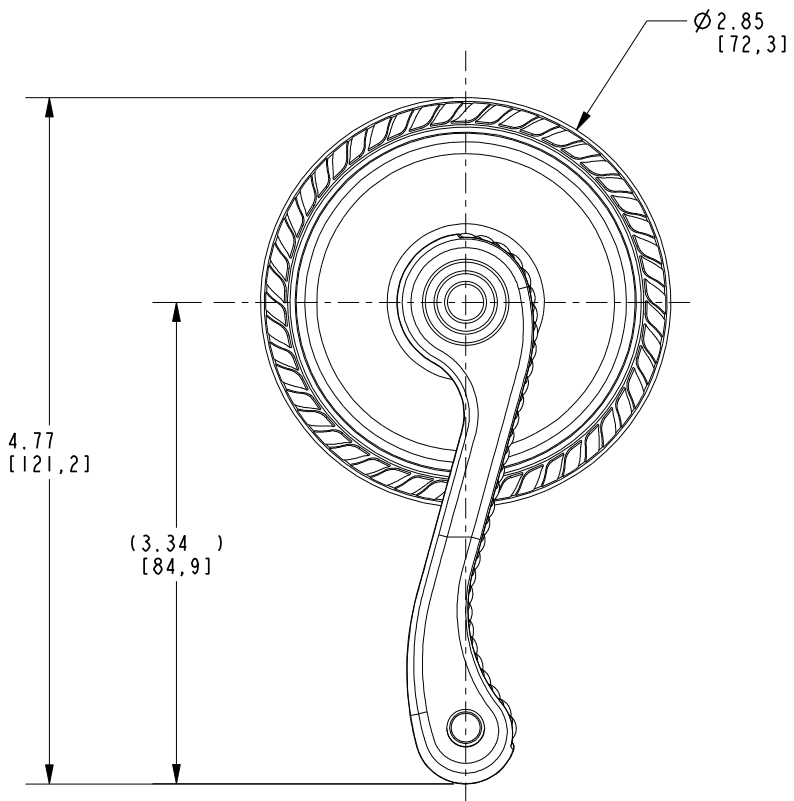
UNITS ARE: INCHES [MM]		
TOLERANCES ARE:		
FRACTIONS	DECIMALS	ANGLES
±1/16"	.X ±.1 [2.5]	±1°
	.XX ±.06 [1.5]	
(X.XXX) DENOTES CRITICAL DIMS. ALL THREADS ARE CRITICAL		
DRAWN	JIMSON	12/16/20
CHECKED	R.S.	12/16/20
APPROVED	R.S.	12/16/20

BRASSTECH 2001 CARNEGIE AVE. SANTA ANA, CA 92705 (949) 417-5207
INCORPORATED

HANDLE ASM - HOT

DWG NO. **3-188H** REV **C**

SCALE .750 REF. - SHEET 1 OF 2



BRASSTECH		2001 E. CARNEGIE AVE. SANTA ANA, CA 92705 (949) 417-5207	
DWG NO.	3-188H	REV	C
SCALE	.750	REF.	-
		SHEET	2 OF 2