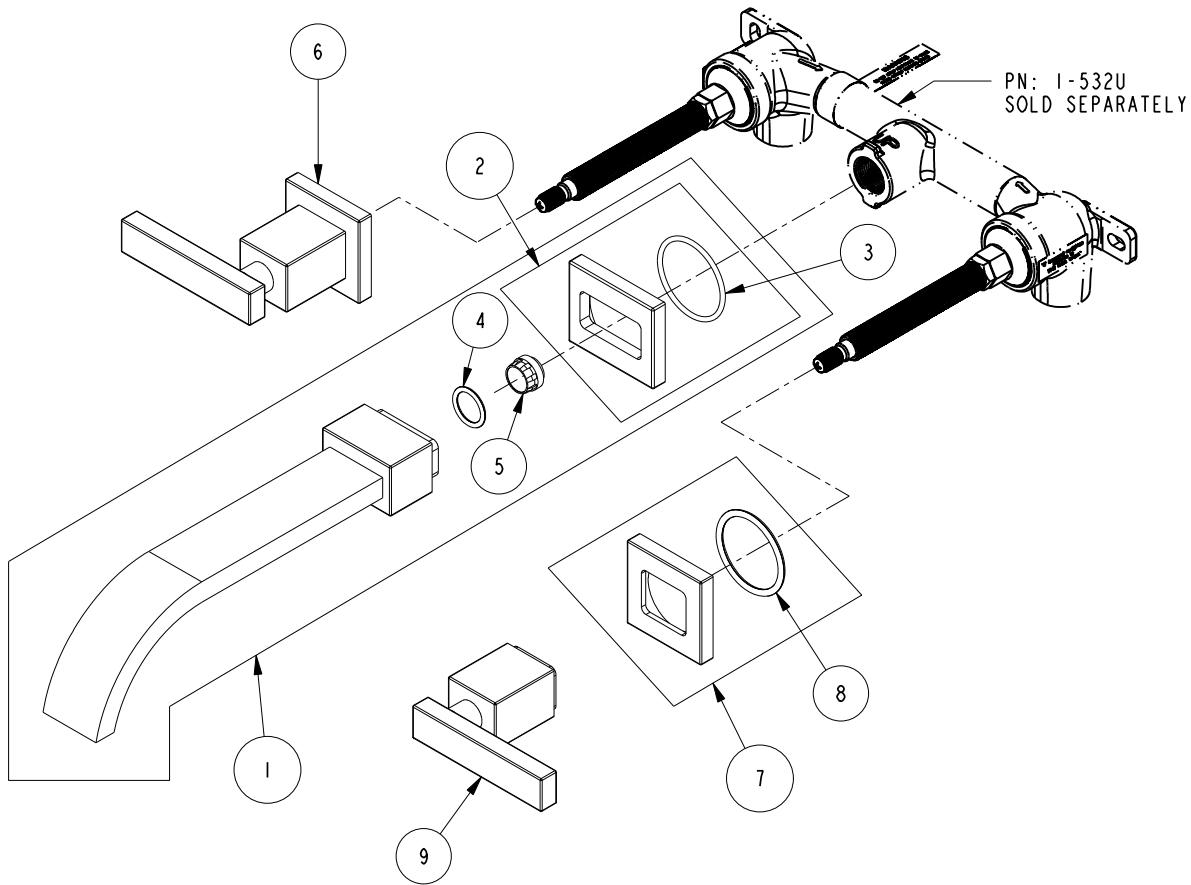


REPLACEMENT PARTS

ITEM	PT/ASSY	SPECIFY FINISH	DESCRIPTION
1	3-327	YES	WALL LAVATORY SPOUT ASM
2	20-751	YES	ESCUTCHEON ASM
3	91772		O-RING, # 2-131, EP, 50 DURO - GREY
4	91030		O-RING, #2- 115, EPDM, 65-75 DURO, NSF 61
5	12403		AERATOR INSERT, Jr. SIZE, 1.2 GPM
6	3-368	YES	HANDLE AND ESCUTCHEON ASSEMBLY
7	2-936	YES	HANDLE ESCUTCHEON ASM
8	91748		O-RING, #2-223, EP, 50 DURO - GREY
9	2-612		HANDLE ASSEMBLY



LAVATORY WALL FAUCET
3-2041

REV D EN-4640-3 04/17/23 APPROVED RS

NEWPORT BRASS.

t: 949.417.5207 | www.newportbrass.com