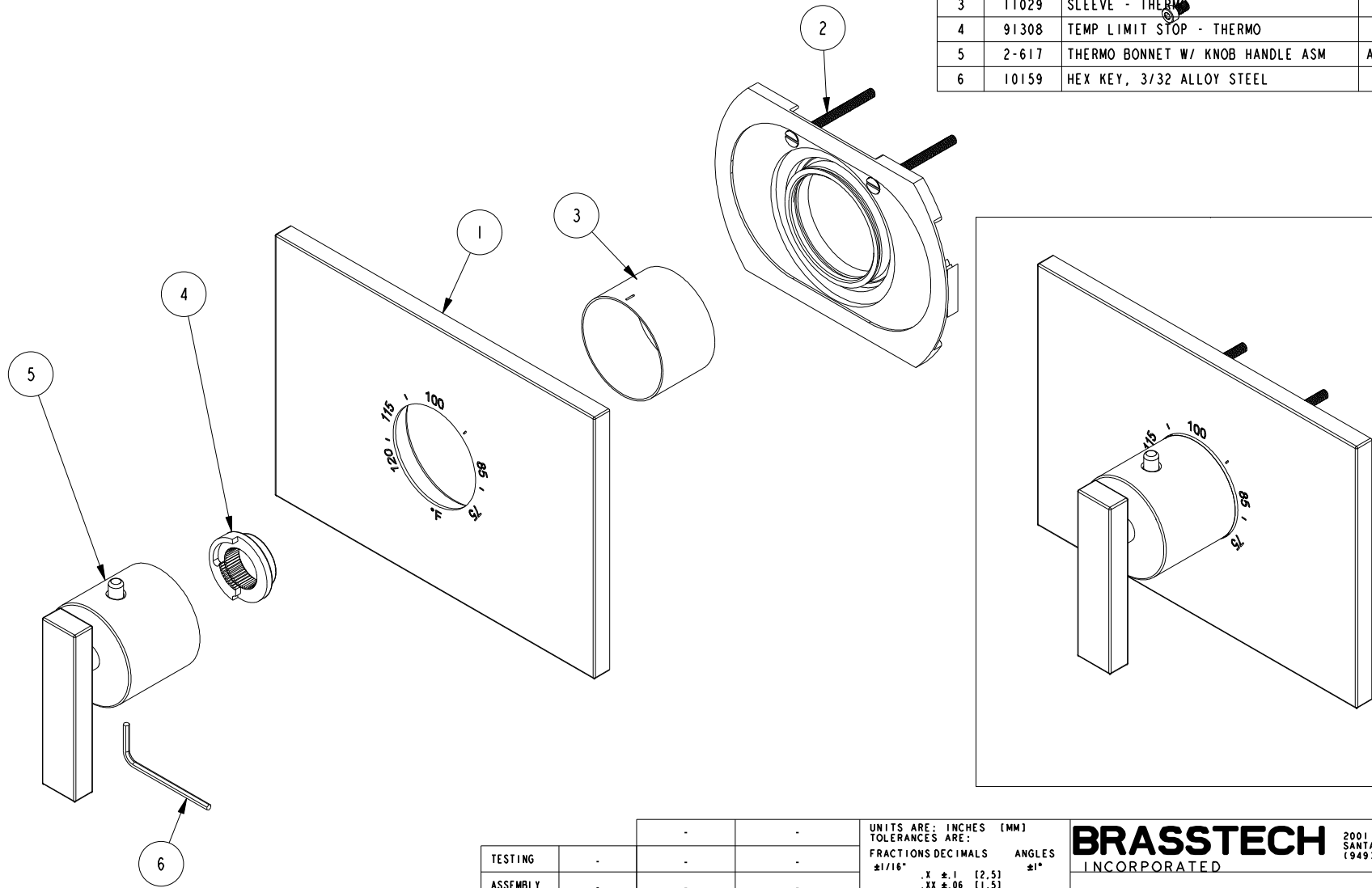


NOTES:

1. TO INSPECT ASSEMBLY, FOLLOW FIRST ARTICLE AND IN PROCESS INSPECTION SHEET.

BILL OF MATERIAL (CURRENT LEVEL)

ITEM	PT/ASSY	DESCRIPTION	TYPE	QTY.
1	12118	THERMO TRIM PLATE	PART	1
2	1-331	THERMO WALL PLATE ASM	ASSEMBLY	1
3	11029	SLEEVE - THERMO	PART	1
4	91308	TEMP LIMIT STOP - THERMO	PART	1
5	2-617	THERMO BONNET W/ KNOB HANDLE ASM	ASSEMBLY	1
6	10159	HEX KEY, 3/32 ALLOY STEEL	PART	1



TESTING	-	-	-
ASSEMBLY	-	-	-
PLATING	-	-	-
POLISHING	-	NEXT ASSY	USED ON
MACHINING	-	APPLICATION	
TOOLING FIXTURE #	REMOVE ALL BURRS AND SHARP EDGES		

UNITS ARE: INCHES [MM]
 TOLERANCES ARE:
 FRACTIONS DECIMALS ANGLES
 ±1/16" .X ±.1 [2.5] ±1°
 .XX ±.06 [1.5]

(X.XXX) DENOTES CRITICAL DIMS.
 ALL THREADS ARE CRITICAL

DRAWN - -
 CHECKED - -
 APPROVED - -

BRASSTECH 2001 CARNEGIE AVE.
 INCORPORATED SANTA ANA, CA 92705
 (949) 417-5207

THERMO VALVE

-	B	EN-3961-2	07/06/20	J.M.	COPYRIGHT 2005 BRASSTECH, INC. THESE DRAWINGS AND THE DESIGNS DEPICTED HEREIN ARE THE PROPRIETARY PROPERTY OF BRASSTECH. ANY USE OR REPRODUCTION IS SUBJECT TO THE EXPRESS APPROVAL OF BRASSTECH. UNAUTHORIZED USE IS STRICTLY PROHIBITED. ALL RIGHTS RESERVED.
-	A	EN-2161D	04/06/15	J.M.	
-	-	EN-1265	10/09/09	-	
ZONE	REV	DESCRIPTION	DATE	APPROVED	

DWG NO.	3-2044TS	REV	B
SCALE	.375	REF.	-
SHEET	1	OF	3

4

3

2

1

D

D

C

C

B

B

A

A

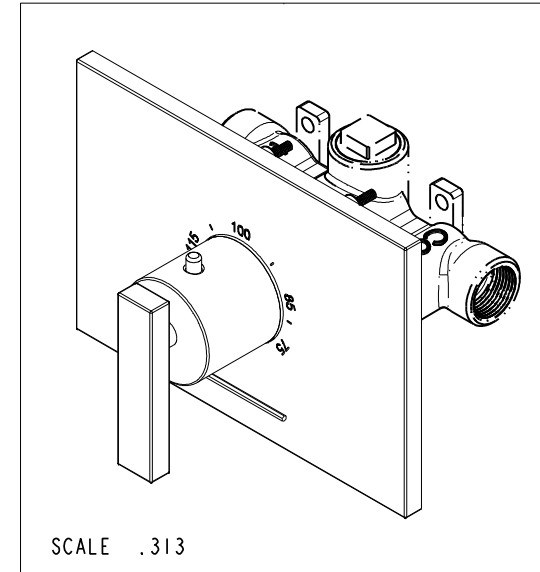
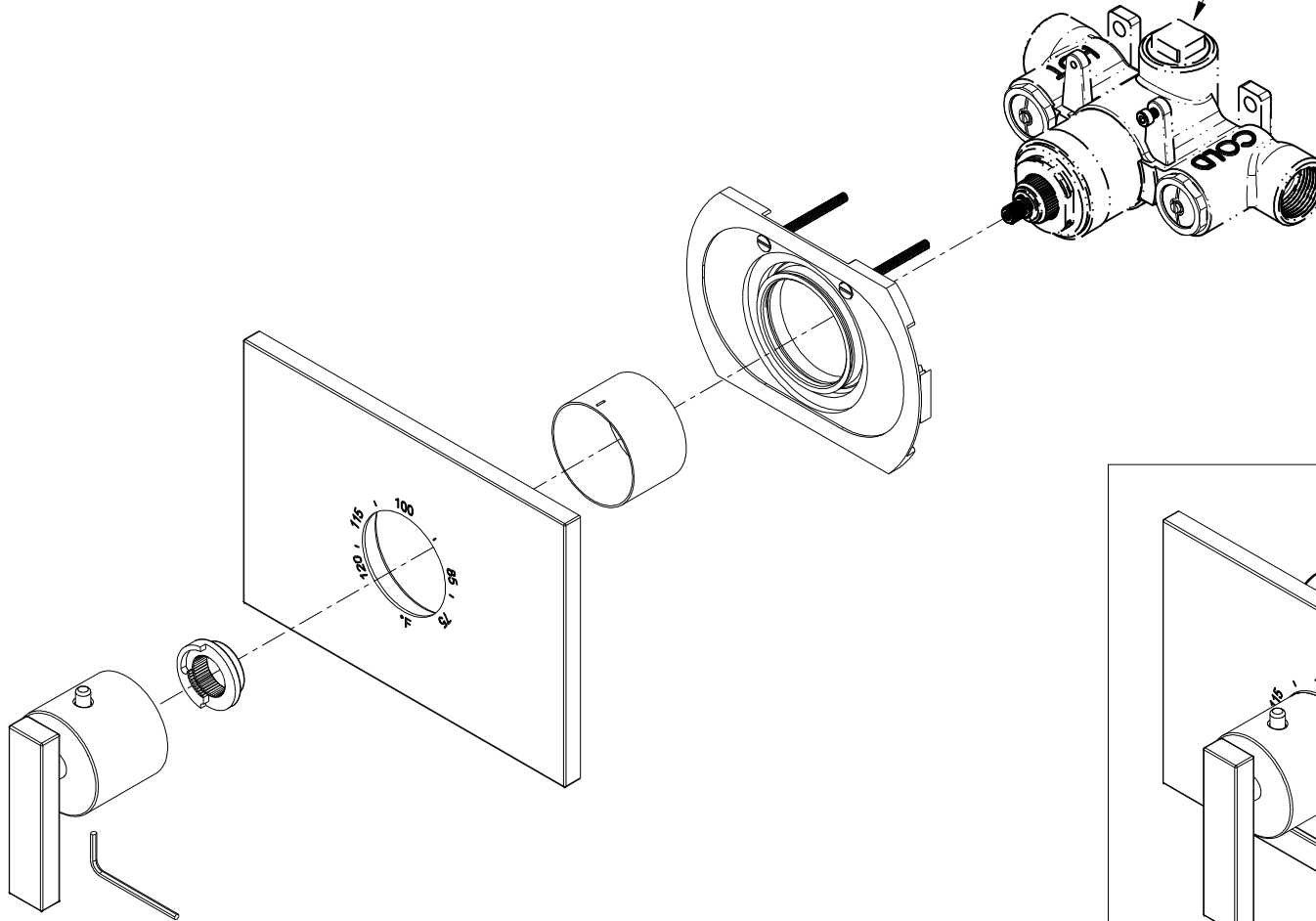
4

3

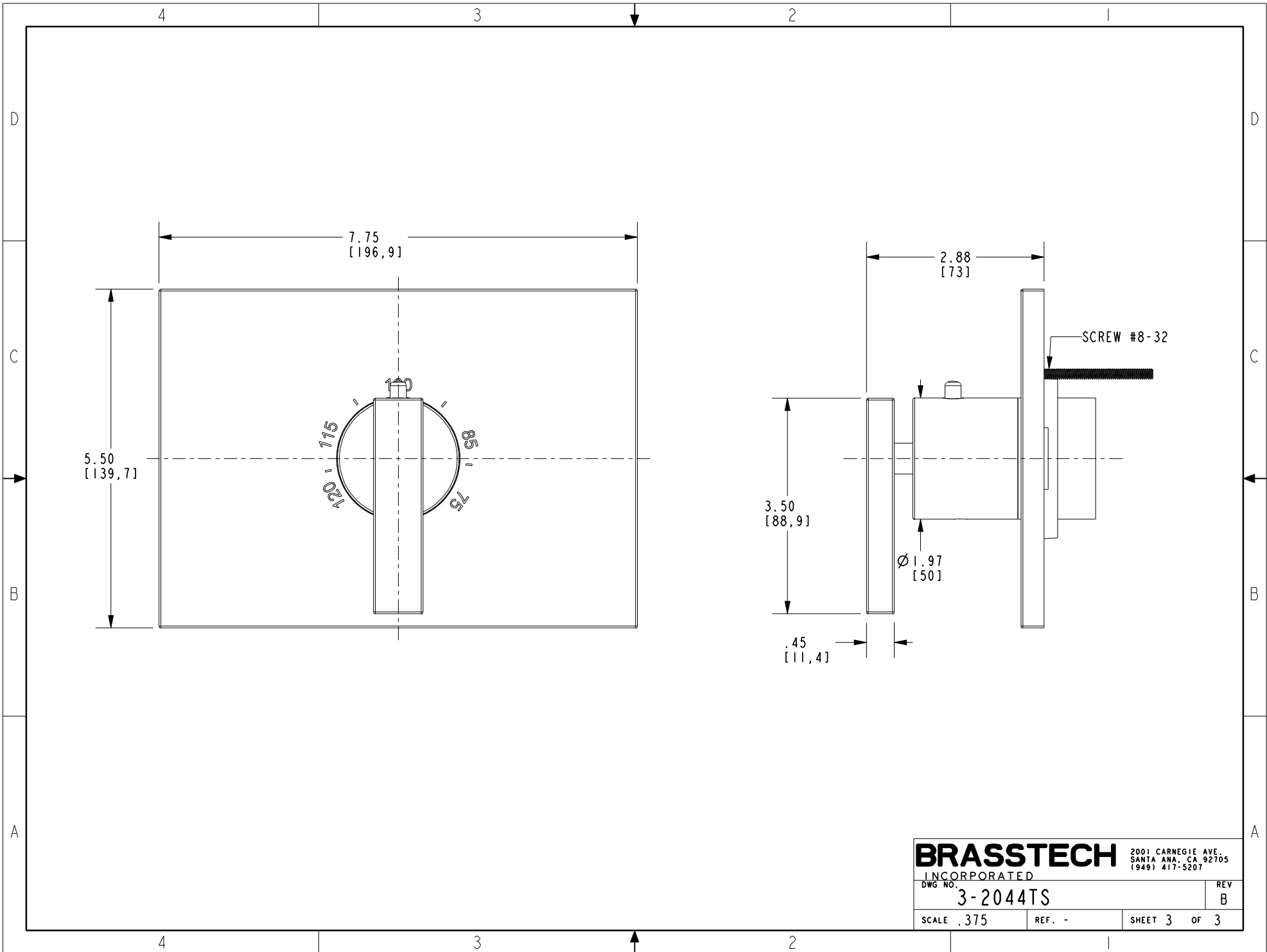
2

1

PN: 1-540 SOLD IT SEPARATELY



BRASSTECH		2001 CARNEGIE AVE. SANTA ANA, CA 92705 (949) 417-5207	
INCORPORATED			
DWG NO.	3-2044TS	REV	B
SCALE	.313	REF.	-
		SHEET	2 OF 3



BRASSTECH		2001 CARNEGIE AVE. SANTA ANA, CA 92705 (949) 417-5207	
INCORPORATED			
DWG NO.	3-2044TS	REV	B
SCALE	.375	REF.	-
		SHEET	3 OF 3