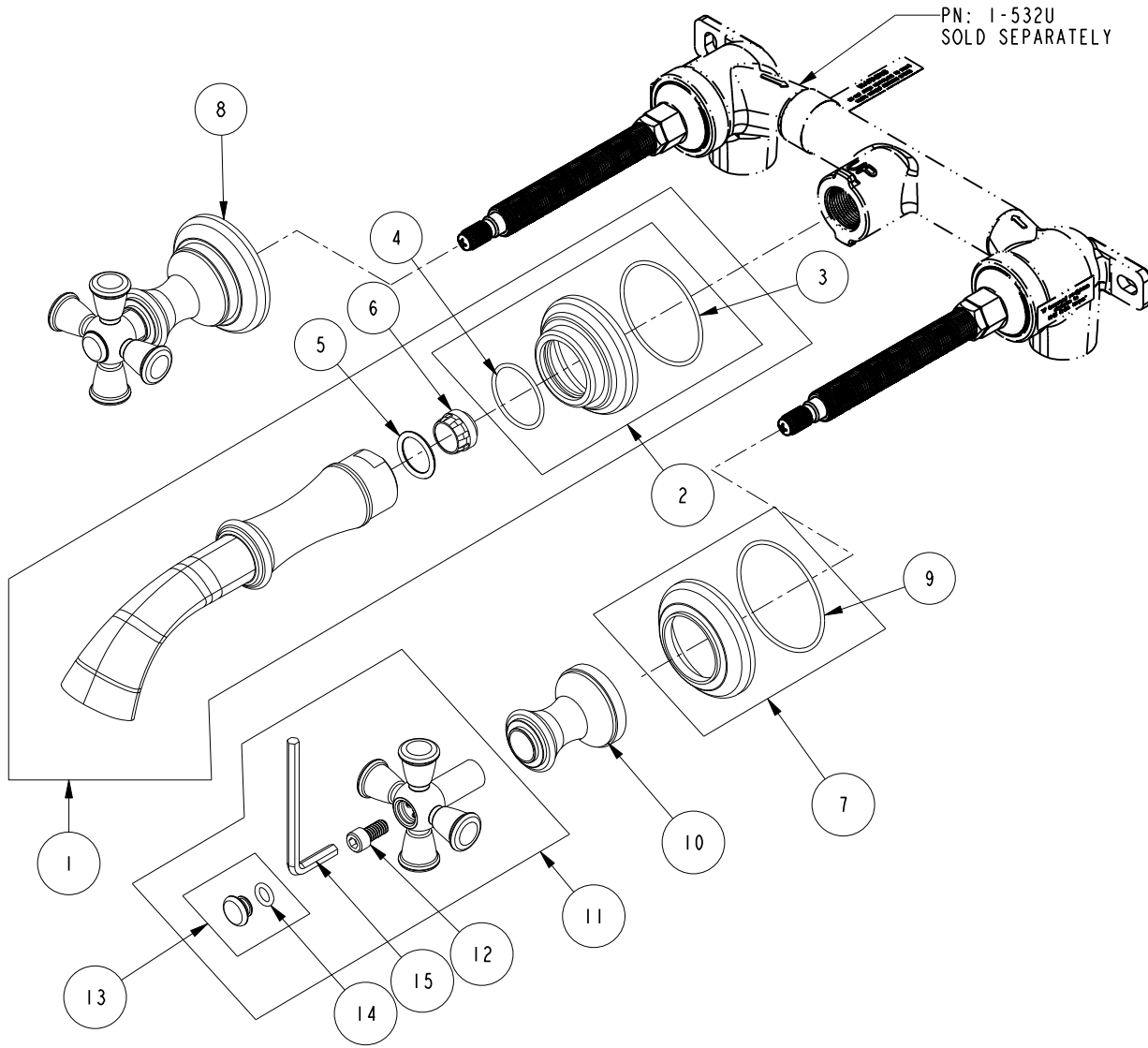


# REPLACEMENT PARTS



ITEM	PT/ASSY	SPECIFY FINISH	DESCRIPTION
1	3-387	YES	SPOUT ASM, WITH ESC WALL LAV
2	2-676	YES	W/S ESCUTCHEON ASM WALL
3	91758		O-RING, #2-032, EPDM, 50 DURO - GREY
4	91144		O-RING, #2-024, EPDM, 65-75 DURO
5	91030		O-RING, #2- 115, EPDM, 65-75 DURO, NSF 61
6	11527		AERATOR JR. INSERT-1.5GPM
7	3-378	YES	CROSS HANDLE ASM
8	2-656	YES	HANDLE ESCUTCHEON ASM
9	91757		O-RING, #2-033, EPDM, 50 DURO
10	11610	YES	HANDLE BONNET
11	2-637	YES	CROSS HANDLE ASSY
12	92141		SCREW, CAP HD 1/4-20 X 1/2
13	20-682	YES	HANDLE CAP ASM
14	91158		O-RING, 2 X 7MM ID, EPDM, 65-75 DURO
15	92846		HEX KEY, 3/16" ALLOY STEEL

**WALL MOUNTED TRIM KIT**  
**3-2441**

REV B EN-4640-3 04/18/23 APPROVED RS

**NEWPORT BRASS.**

t: 949.417.5207 | www.newportbrass.com