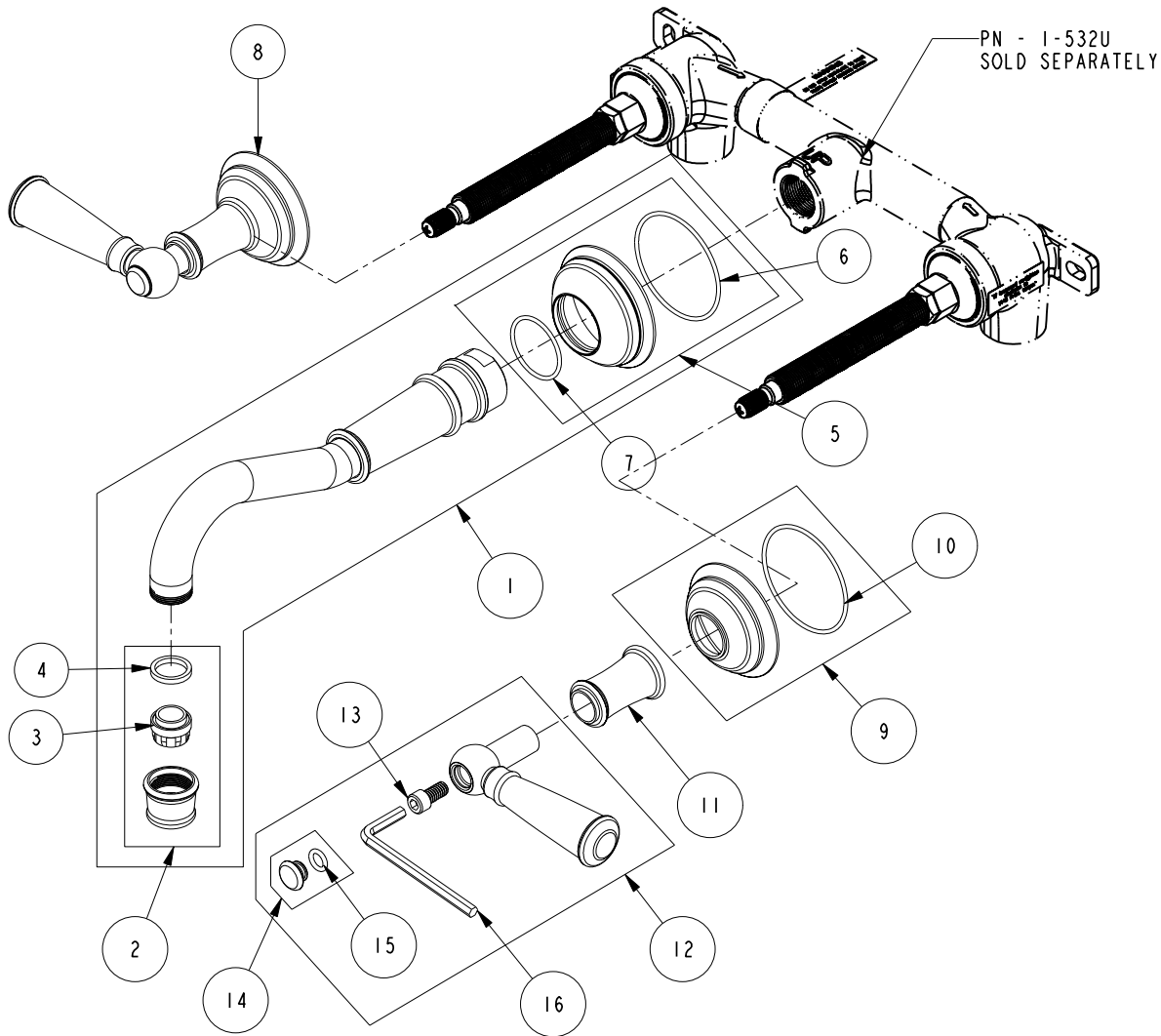


REPLACEMENT PARTS



ITEM	PT/ASSY	SPECIFY FINISH	DESCRIPTION
1	3-381	YES	SPOUT ASSEMBLY, WALL LAV.
2	2-658	YES	AERATOR ASM
3	12403		AERATOR INSERT, Jr. SIZE, 1.2 GPM
4	91500		GSKT, .578 ID X .728 OD X .102 THK EPDM
5	2-663	YES	ESCUTCHEON, WALL LAV SPOUT
6	91757		O-RING, #2-033, EPDM, 50 DURO
7	91144		O-RING, #2-024, EPDM, 65-75 DURO
8	3-373	YES	LEVER HANDLE AND ESC. ASM
9	2-652	YES	HANDLE ESCUTCHEON ASM
10	91757		O-RING, #2-033, EPDM, 50 DURO
11	11590	YES	HANDLE BONNET
12	2-636	YES	LEVER HANDLE ASSEMBLY
13	92141		SCREW, CAP HD 1/4-20 X 1/2
14	20-682	YES	HANDLE CAP ASM
15	91158		O-RING, 2 X 7MM ID, EPDM, 65-75 DURO
16	92846		HEX KEY, 3/16" ALLOY STEEL

WALL MOUNTED LAVATORY TRIM KIT
3-2471

REV D EN-4640-1 04/11/23 APPROVED RS

NEWPORT BRASS.

t: 949.417.5207 | www.newportbrass.com