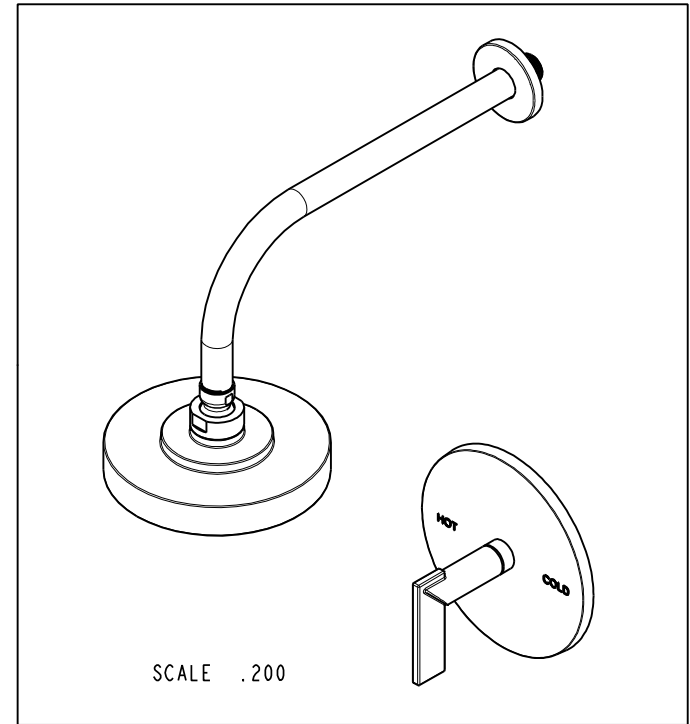
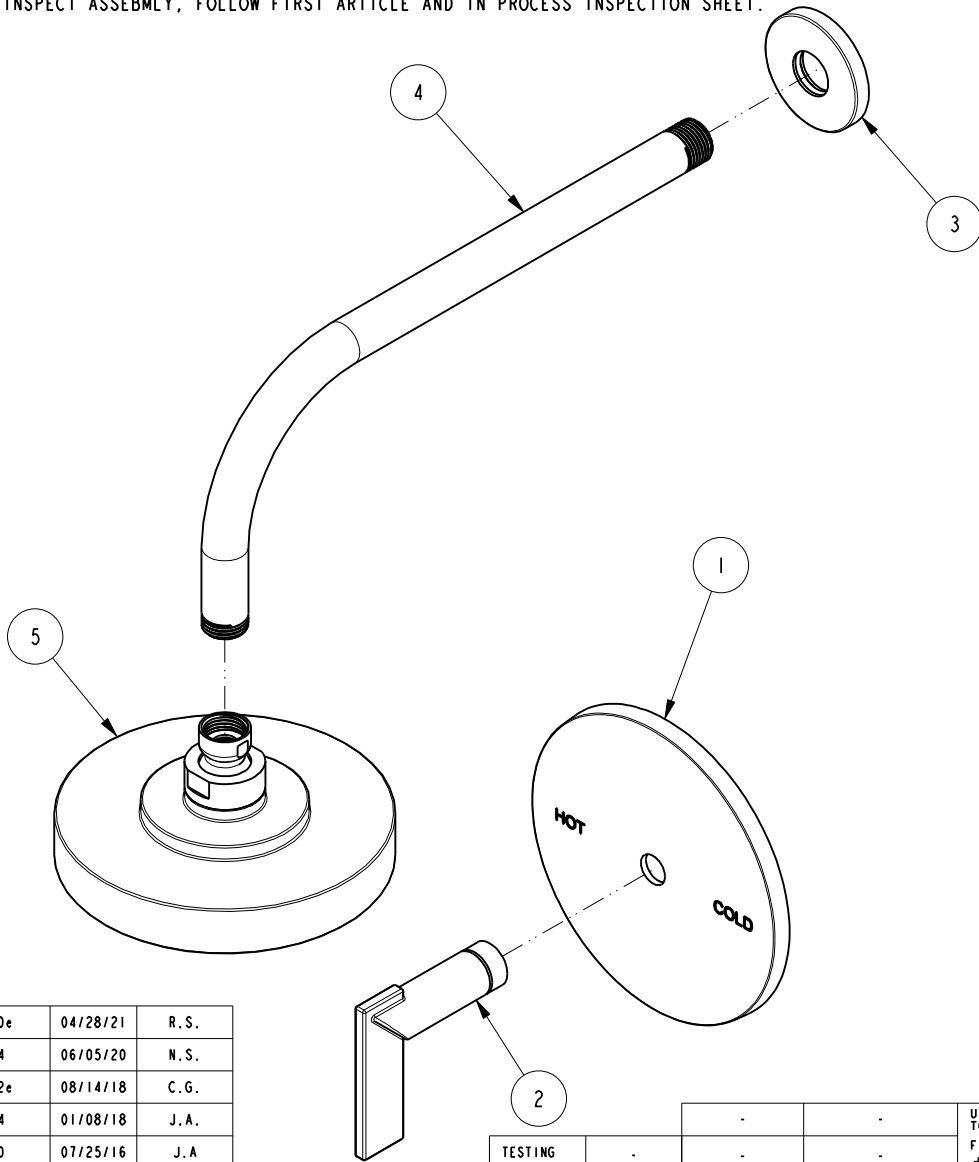


NOTES:

1. TO INSPECT ASSEMBLY, FOLLOW FIRST ARTICLE AND IN PROCESS INSPECTION SHEET.

BILL OF MATERIAL (CURRENT LEVEL)

ITEM	PT/ASSY	DESCRIPTION	TYPE	QTY.
1	20-502	BP SHOWER PLATE ASM	ASSEMBLY	1
2	20-300	LEVER ASM	ASSEMBLY	1
3	206-1	SHOWER - ESCUTCHEON ASM	ASSEMBLY	1
4	13040	90° 12" SHWR ARM	PART	1
5	2141	CONTEMP. SHOWER HEAD - SINGLE JET	ASSEMBLY	1



ZONE	REV	DESCRIPTION	DATE	APPROVED
-	H	EN-4300e	04/28/21	R.S.
-	G	EN-4154	06/05/20	N.S.
-	F	EN-3552e	08/14/18	C.G.
-	E	EN-3334	01/08/18	J.A.
-	D	EN-3100	07/25/16	J.A.
-	C	EN-2602	09/11/13	-
-	B	EN-1512	11/09/11	-
-	A	EN-1839	07/26/11	-
-	-	EN-0995-3	01/31/11	-

COPYRIGHT 2005 BRASSTECH, INC. THESE DRAWINGS AND THE DESIGNS DEPICTED HEREIN ARE THE PROPRIETARY PROPERTY OF BRASSTECH. ANY USE OR REPRODUCTION IS SUBJECT TO THE EXPRESS APPROVAL OF BRASSTECH. UNAUTHORIZED USE IS STRICTLY PROHIBITED. ALL RIGHTS RESERVED.

TESTING	ASSEMBLY	PLATING	POLISHING	MACHINING	TOOLING FIXTURE #
-	-	-	-	-	-
-	-	-	-	-	-
-	-	-	-	-	-
-	-	-	-	-	-
-	-	-	-	-	-
-	-	-	-	-	-
-	-	-	-	-	-
-	-	-	-	-	-
-	-	-	-	-	-
-	-	-	-	-	-
-	-	-	-	-	-

UNITS ARE: INCHES [MM]		
TOLERANCES ARE:		
FRACTIONS	DECIMALS	ANGLES
±1/16"	.X ±.1 [2.5]	±1°
	.XX ±.06 [1.5]	
(X.XXX) DENOTES CRITICAL DIMS.		
ALL THREADS ARE CRITICAL		
DRAWN	JINSON	04/28/21
CHECKED	R.S.	04/28/21
APPROVED	R.S.	04/28/21

BRASSTECH 2001 CARNEGIE AVE. SANTA ANA, CA 92705 (949) 417-5207
INCORPORATED

B/P SHOWER TRIM

DWG NO. **3-2484BP** REV H

SCALE .300 REF. - SHEET 1 OF 2

