

4

3

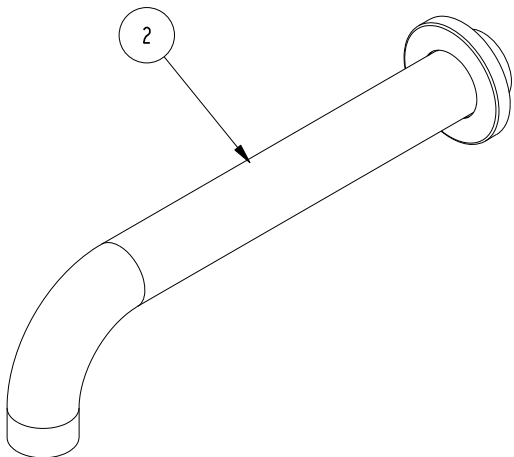
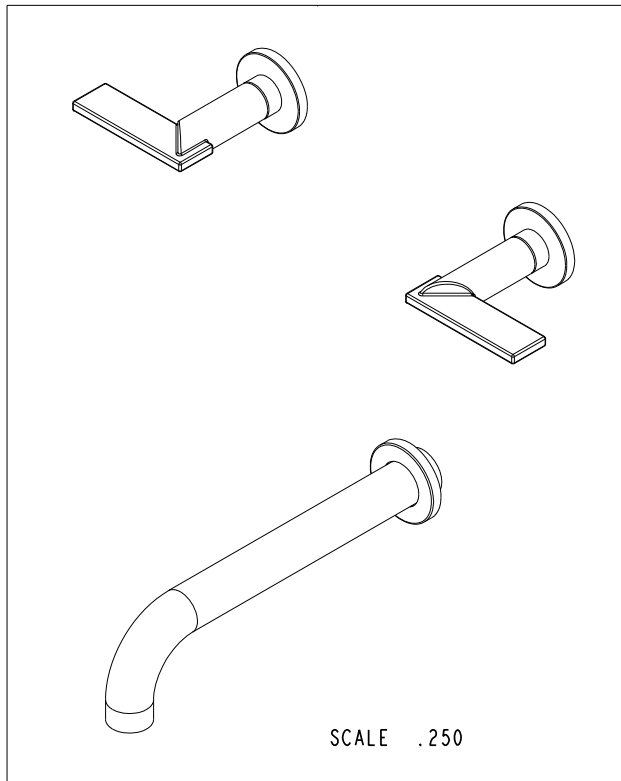
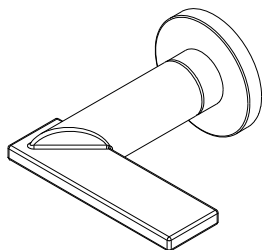
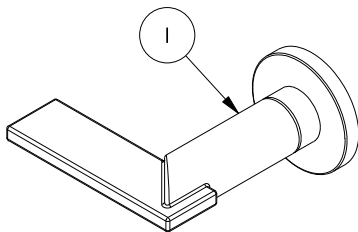
2

NOTES:

(NI) 1. FIT / FORM / FUNCTION SHALL FOLLOW PS-E.008.

BILL OF MATERIAL (CURRENT LEVEL)

ITEM	PT/ASSY	DESCRIPTION	TYPE	QTY.
1	3-465	HANDLE ASM	ASSEMBLY	2
2	3-419	SPOUT & ESCUTCHEON ASM - WALL MOUNT TUB	ASSEMBLY	1



D

C

B

A

D

C

B

A

ZONE	REV	DESCRIPTION	DATE	APPROVED
-	B	EN-3296	03/30/17	J.M.
-	A	EN-2541-1	09/05/14	-
-	-	EN-0995-3	01/31/11	-

COPYRIGHT 2005 BRASSTECH, INC. THESE DRAWINGS AND THE DESIGNS DEPICTED HEREIN ARE THE PROPRIETARY PROPERTY OF BRASSTECH. ANY USE OR REPRODUCTION IS SUBJECT TO THE EXPRESS APPROVAL OF BRASSTECH. UNAUTHORIZED USE IS STRICTLY PROHIBITED. ALL RIGHTS RESERVED.

TESTING	-	-	-
ASSEMBLY	-	-	-
PLATING	-	-	-
POLISHING	-	NEXT ASSY	USED ON
MACHINING	-	APPLICATION	
TOOLING FIXTURE #	REMOVE ALL BURRS AND SHARP EDGES		

UNITS ARE: INCHES [MM]
 TOLERANCES ARE:
 FRACTIONS DECIMALS ANGLES
 $\pm 1/16"$.X $\pm .1$ [2.5] $\pm 1^\circ$
 .XX $\pm .06$ [1.5]
 (X.XXX) DENOTES CRITICAL DIMS.
 ALL THREADS ARE CRITICAL

DRAWN VINAY 06/09/16
 CHECKED RAVINDRA 06/09/16
 APPROVED R.S. 06/09/16

BRASSTECH 2001 CARNEGIE AVE.
 INCORPORATED SANTA ANA, CA 92705
 (949) 417-5207

WALL BATH TUB - C-SPOUT ASSEMBLY

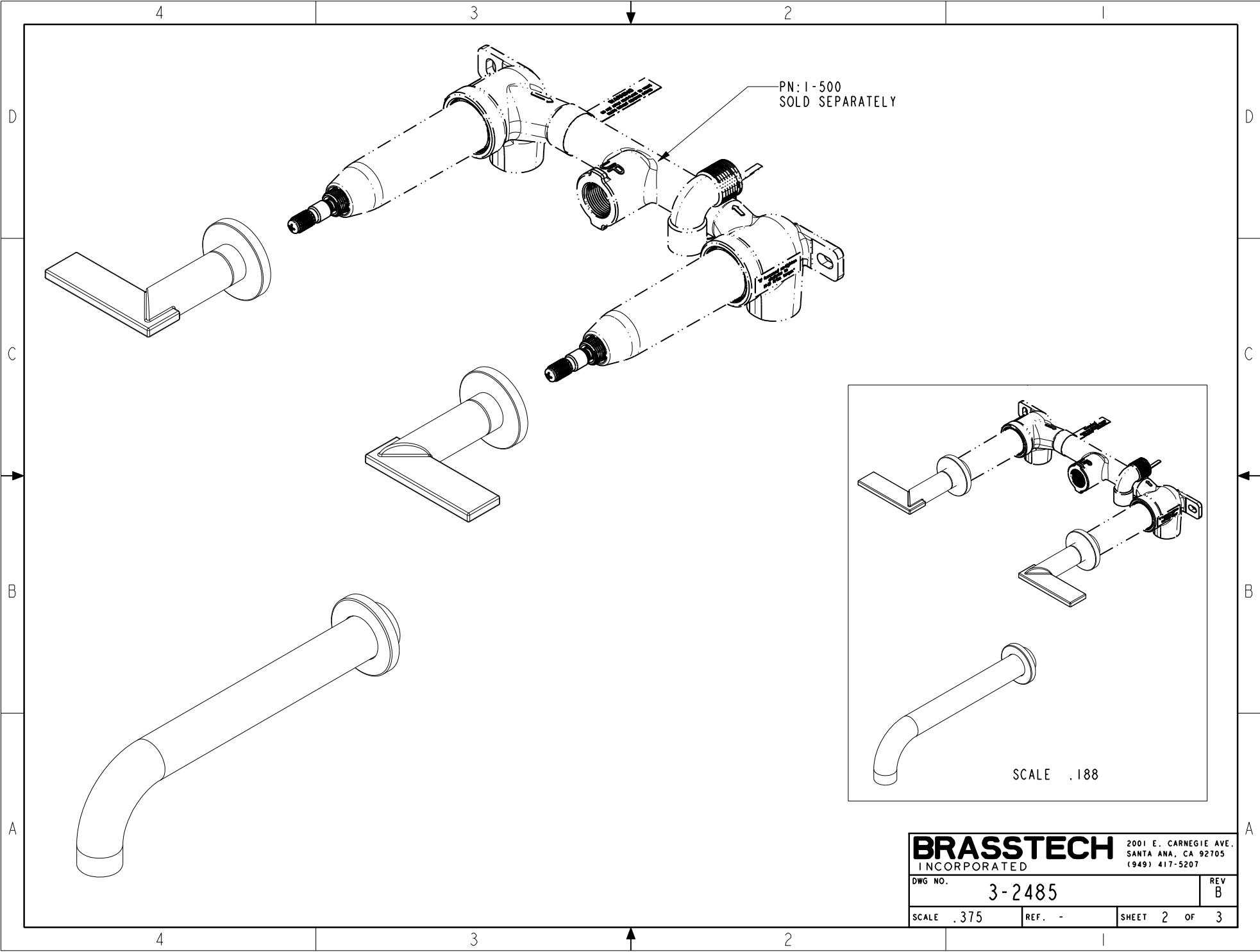
DWG NO. 3-2485 REV B

SCALE .375 REF. - SHEET 1 OF 3

4


3

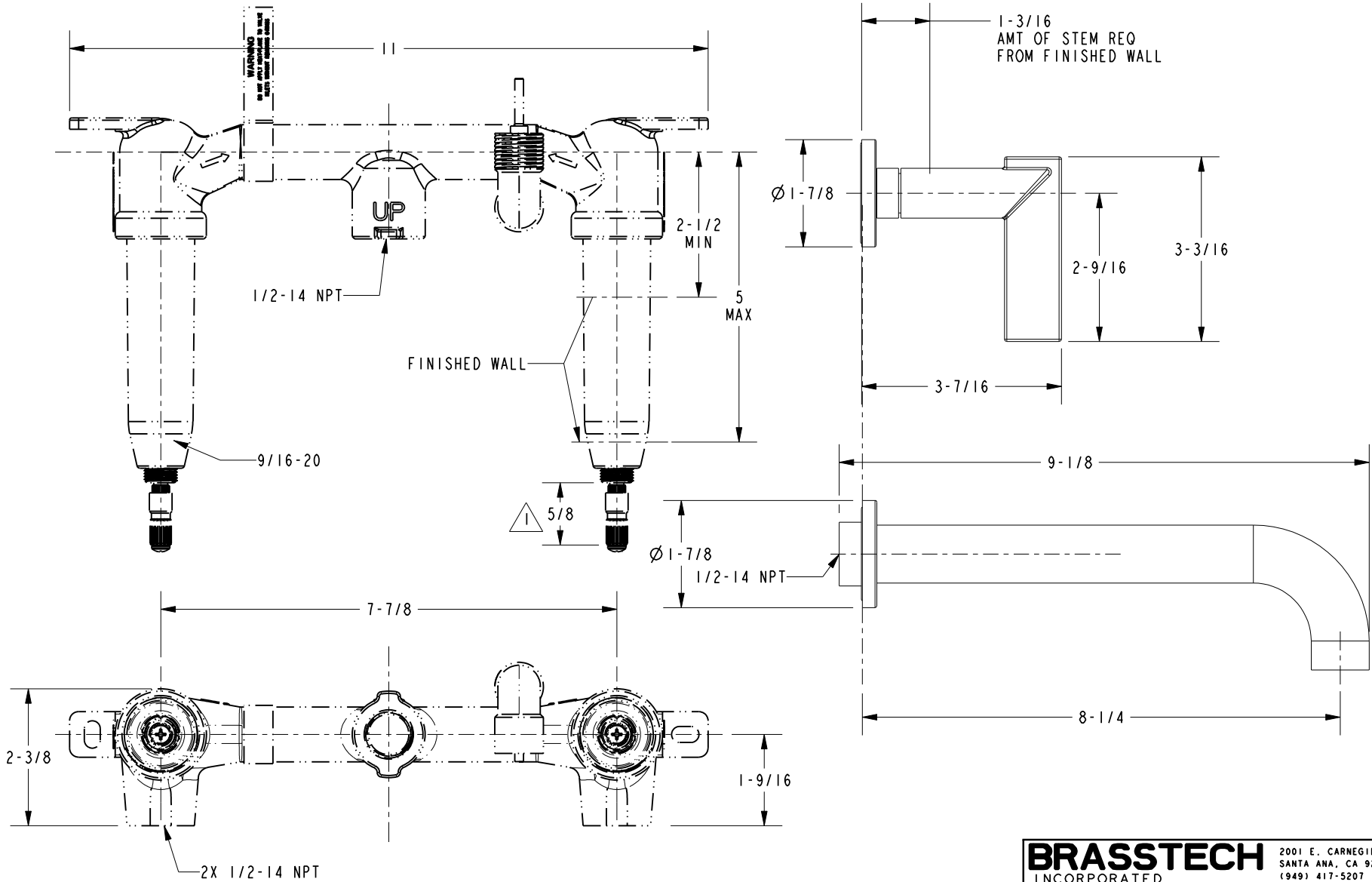
2



BRASSTECH		2001 E. CARNEGIE AVE.
INCORPORATED		SANTA ANA, CA 92705
		(949) 417-5207
DWG NO.	3-2485	REV B
SCALE .375	REF. -	SHEET 2 OF 3

NOTES:

 CUT ALL THREADS 5/8" SHORTER THAN STEM



BRASSTECH INCORPORATED		2001 E. CARNEGIE AVE. SANTA ANA, CA 92705 (949) 417-5207
DWG NO.	3-2485	REV B
SCALE .400	REF. -	SHEET 3 OF 3