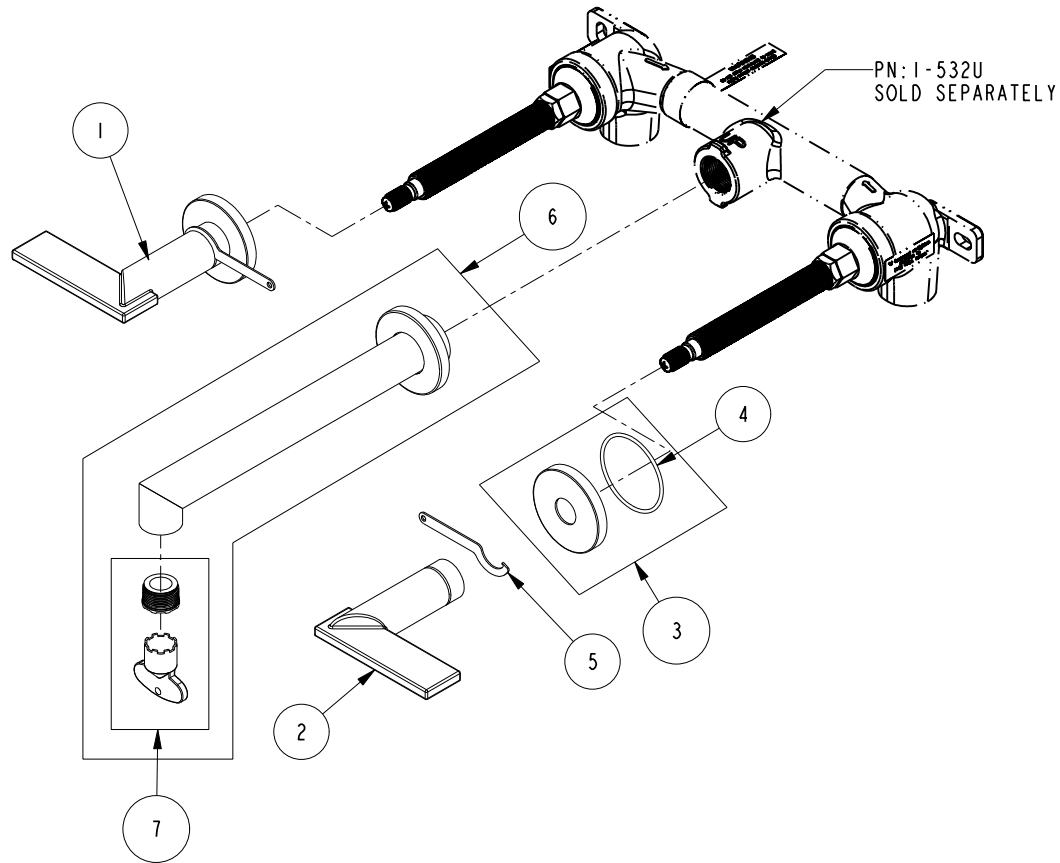


REPLACEMENT PARTS

ITEM	PT/ASSY	SPECIFY FINISH	DESCRIPTION
1	3-608	YES	LEVER HADNLE
2	20-300	YES	LEVER ASM
3	20-301	YES	ROUND HANDLE ESCUTCHEON ASM
4	91759		O-RING, #2-030, 50 DURO
5	92870		LEVER WRENCH
6	3-406	YES	W/M SPOUT & ESCUTCHEON ASM
7	1-492		AERATOR 1.2 GPM WITH KEY



WALL MOUNT LAVATORY
3-2491

REV F EN-4640-2 04/11/23 APPROVED RS

NEWPORT BRASS.

t: 949.417.5207 | www.newportbrass.com