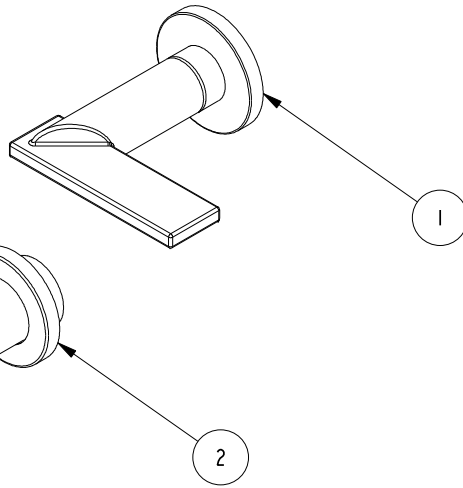
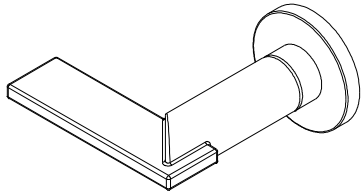
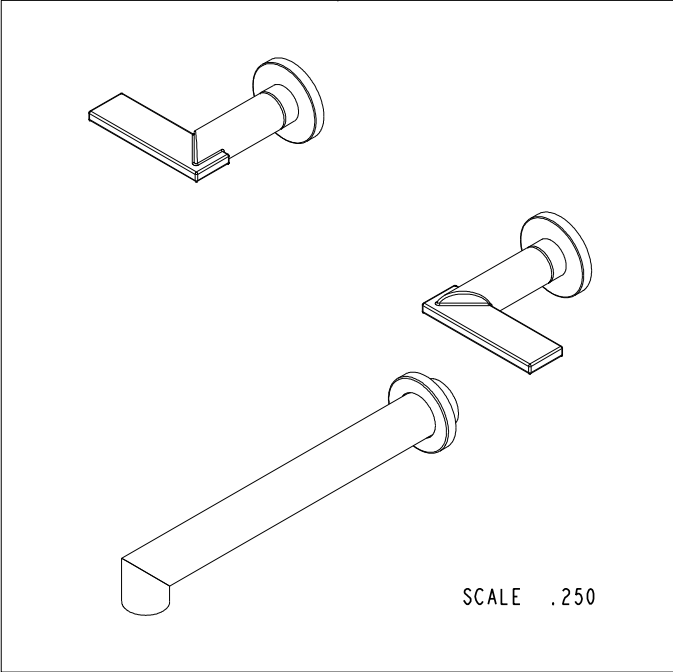


NOTES:

1. TO INSPECT ASSEMBLY, FOLLOW FIRST ARTICLE AND IN PROCESS INSPECTION SHEET.



BILL OF MATERIAL (CURRENT LEVEL)				
ITEM	PT/ASSY	DESCRIPTION	TYPE	QTY.
1	3-608	LEVER HANDLE	ASSEMBLY	2
2	3-407	SPOUT & ESCUTCHEON ASM - WALL MOUNT TUB	ASSEMBLY	1



D

C

B

D

C

B

A

A

-	D	EN-3961-2	05/22/20	R.S.
-	C	EN-3334	01/08/18	J.A.
-	B	EN-3072	06/11/16	J.M.
-	A	EN-2541-1	09/05/14	-
-	-	EN-0995-3	01/31/11	-
ZONE	REV	DESCRIPTION	DATE	APPROVED

COPYRIGHT 2005 BRASSTECH, INC. THESE DRAWINGS AND THE DESIGNS DEPICTED HEREIN ARE THE PROPRIETARY PROPERTY OF BRASSTECH. ANY USE OR REPRODUCTION IS SUBJECT TO THE EXPRESS APPROVAL OF BRASSTECH. UNAUTHORIZED USE IS STRICTLY PROHIBITED. ALL RIGHTS RESERVED.

TESTING	-	-	-
ASSEMBLY	-	-	-
PLATING	-	-	-
POLISHING	-	NEXT ASSY	USED ON
MACHINING	-	APPLICATION	
TOOLING FIXTURE #	REMOVE ALL BURRS AND SHARP EDGES		

UNITS ARE: INCHES [MM]		
TOLERANCES ARE:		
FRACTIONS	DECIMALS	ANGLES
±1/16"	.X ±.1 [2.5]	±1°
	.XX ±.06 [1.5]	
(X.XXX) DENOTES CRITICAL DIMS. ALL THREADS ARE CRITICAL		
DRAWN	JIMSON	05/22/20
CHECKED	R.S.	05/22/20
APPROVED	R.S.	05/22/20

BRASSTECH		2001 CARNEGIE AVE. SANTA ANA, CA 92705 (949) 417-5207	
INCORPORATED			
WALL BATH TUB ASSEMBLY			
DWG NO.		REV	
3-2495		D	
SCALE .375	REF. -	SHEET	OF 3

4

3

2

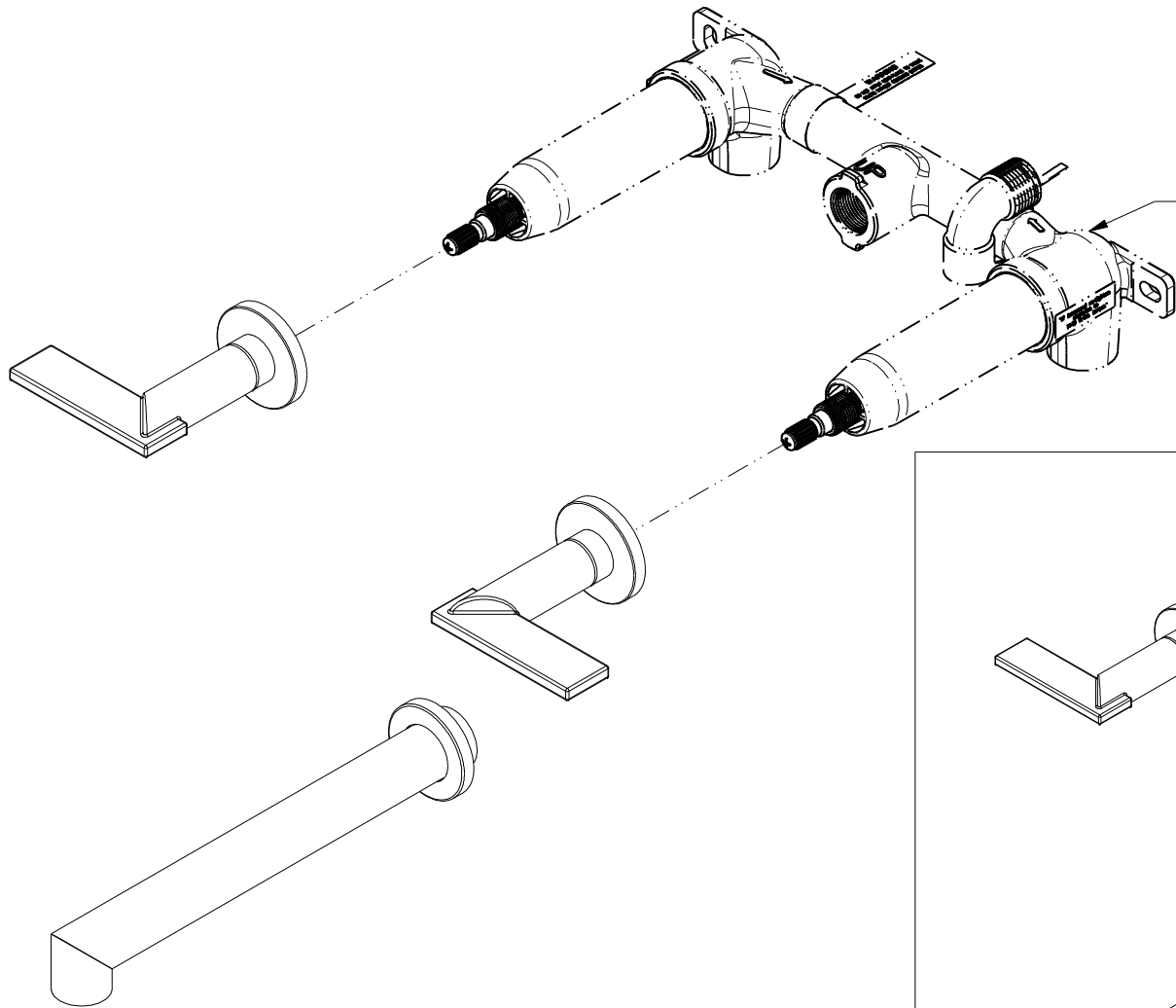
1

4

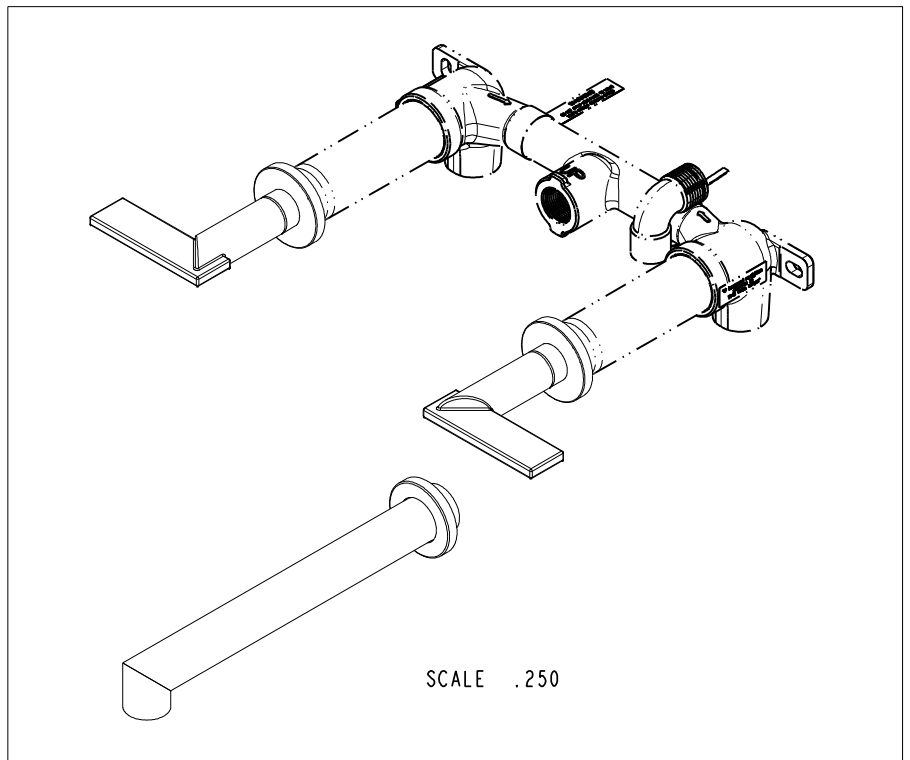
3

2

1

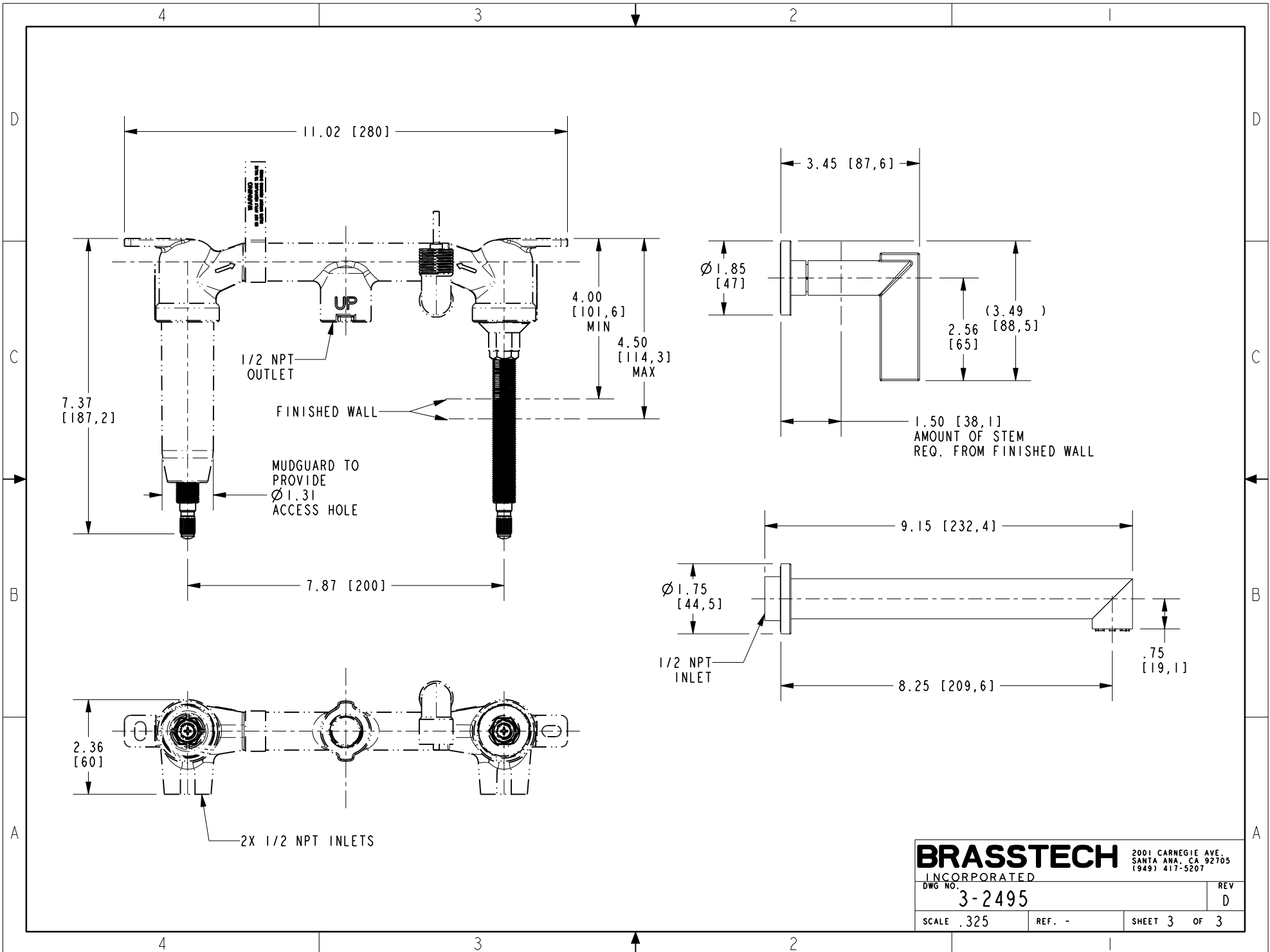


PN: 1-500U
SOLD SEPARATELY



SCALE .250

BRASSTECH		2001 CARNEGIE AVE. SANTA ANA, CA 92705 (949) 417-5207	
INCORPORATED			
DWG NO.	3-2495	REV	D
SCALE .325	REF. -	SHEET 2	OF 3



BRASSTECH 2001 CARNEGIE AVE.
 INCORPORATED SANTA ANA, CA 92705
 (949) 417-5207

DWG NO.	3-2495	REV	D
SCALE	.325	REF.	-
SHEET 3		OF 3	