

4 3 2 1

NOTES:

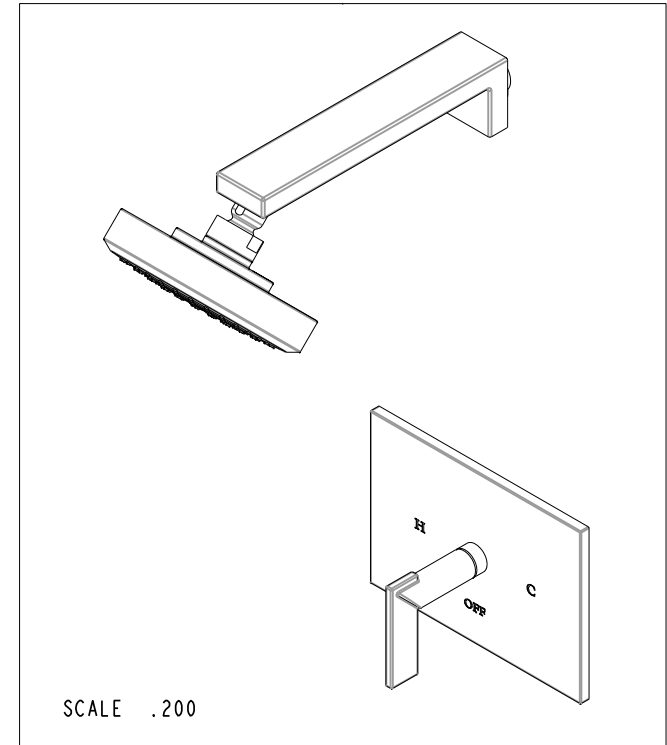
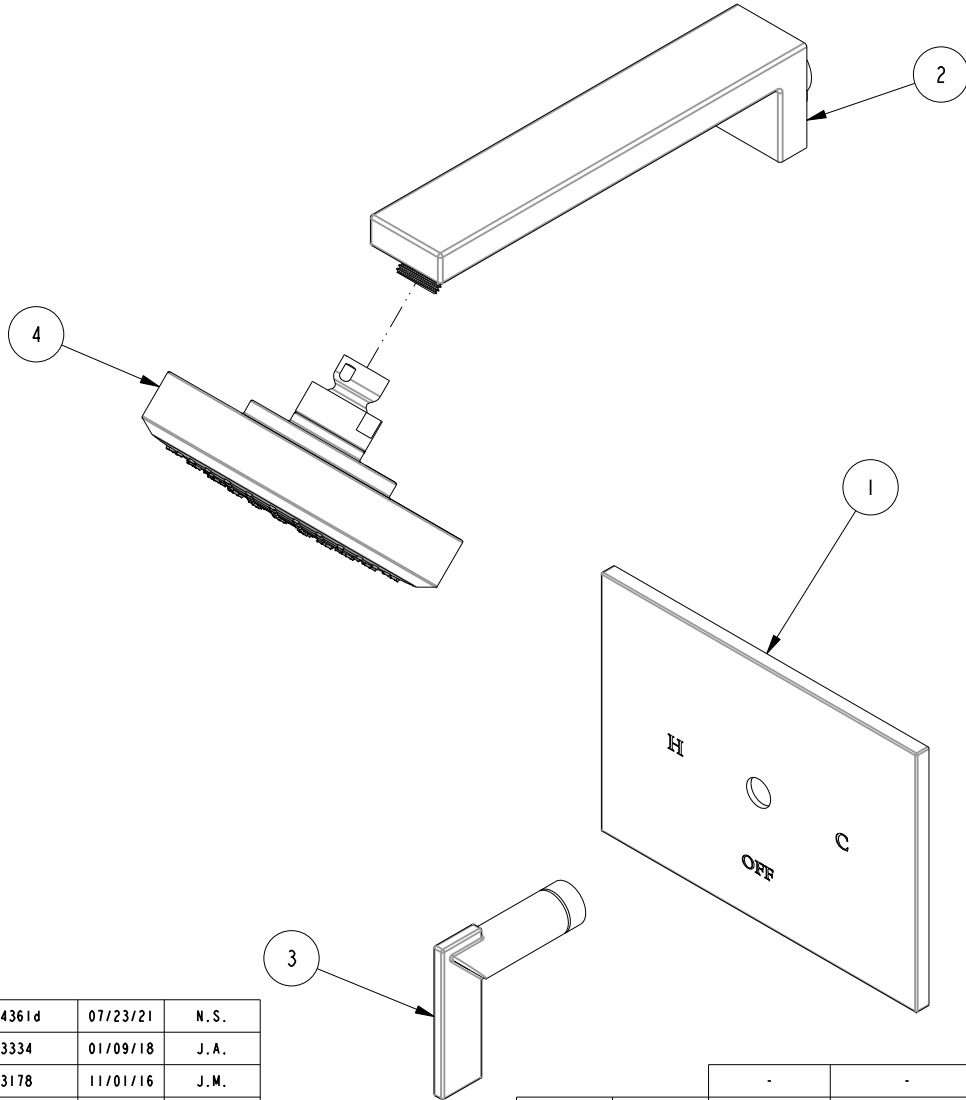
(N1) 1. TO INSPECT ASSEMBLY, FOLLOW FIRST ARTICLE AND IN PROCESS INSPECTION SHEET.

BILL OF MATERIAL (CURRENT LEVEL)

ITEM	PT/ASSY	DESCRIPTION	TYPE	QTY.
1	2-642	BP SHOWER PLATE ASSEMBLY	ASSEMBLY	1
2	201-2	9" SHOWER ARM [METRO]	ASSEMBLY	1
3	20-300	LEVER ASM	ASSEMBLY	1
4	2141	CONTEMP. SHOWER HEAD - SINGLE JET	ASSEMBLY	1

D
C
B
A

D
C
B
A



-	G	EN-4361d	07/23/21	N.S.
-	F	EN-3334	01/09/18	J.A.
-	E	EN-3178	11/01/16	J.M.
-	D	EN-2068	02/09/12	J.M.
-	C	EN-1512	11/09/11	A.N.
-	B	EN-1839	08/10/11	J.M.
-	A	EN-1814	07/01/11	J.M.
-	-	EN-1735	06/10/11	J.M.
ZONE	REV	DESCRIPTION	DATE	APPROVED

COPYRIGHT 2005 BRASSTECH, INC. THESE DRAWINGS AND THE DESIGNS DEPICTED HEREIN ARE THE PROPRIETARY PROPERTY OF BRASSTECH. ANY USE OR REPRODUCTION IS SUBJECT TO THE EXPRESS APPROVAL OF BRASSTECH. UNAUTHORIZED USE IS STRICTLY PROHIBITED. ALL RIGHTS RESERVED.

TESTING	-	-	-
ASSEMBLY	-	-	-
PLATING	-	-	-
POLISHING	-	NEXT ASSY	USED ON
MACHINING	-	APPLICATION	
TOOLING FIXTURE #	REMOVE ALL BURRS AND SHARP EDGES		

UNITS ARE: INCHES [MM]			
TOLERANCES ARE:			
FRACTIONS	DECIMALS	ANGLES	
±1/16"	.X ±.1 [2.5]	±1°	
	.XX ±.06 [1.5]		
(X.XXX) DENOTES CRITICAL DIMS. ALL THREADS ARE CRITICAL			
DRAWN	JINSON	04/28/21	
CHECKED	R.S.	04/28/21	
APPROVED	R.S.	04/28/21	

BRASSTECH
INCORPORATED

2001 CARNEGIE AVE.
SANTA ANA, CA 92705
(949) 417-5207

BP SHOWER TRIM SET

DWG NO.	3-2544BP		REV	G
SCALE	.300	REF.	-	SHEET OF 2

4 3 2 1

