

4

3

2

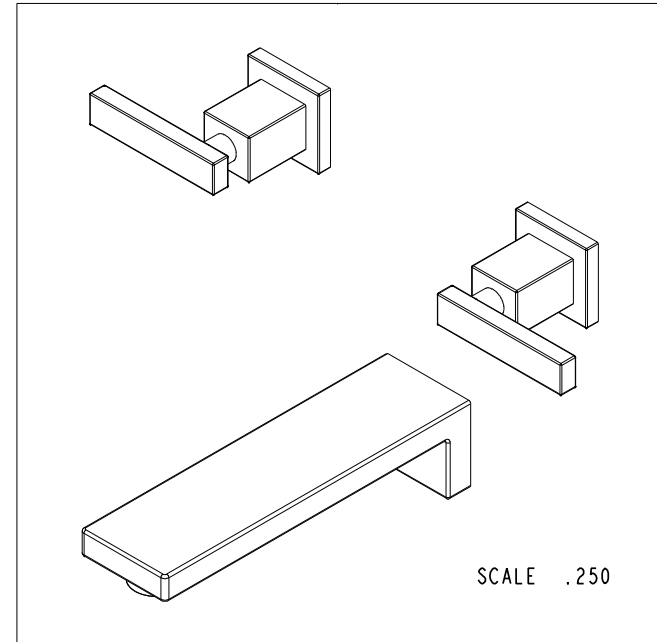
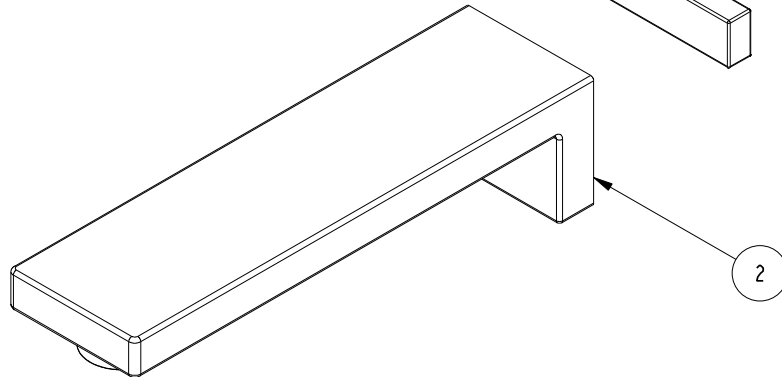
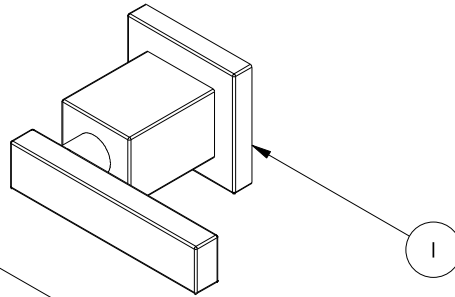
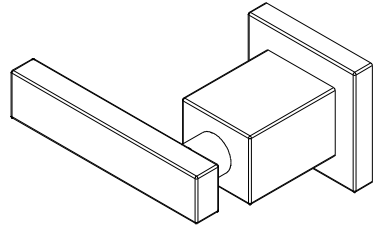
1

NOTES:

1. TO INSPECT ASSEMBLY, FOLLOW FIRST ARTICLE AND IN PROCESS INSPECTION SHEET.

BILL OF MATERIAL (CURRENT LEVEL)

ITEM	PT/ASSY	DESCRIPTION	TYPE	QTY.
1	3-368	HANDLE AND ESCUTCHEON ASSEMBLY	ASSEMBLY	2
2	8-030	WALL TUB SPOUT ASM	ASSEMBLY	1



D

D

C

C

B

B

A

A

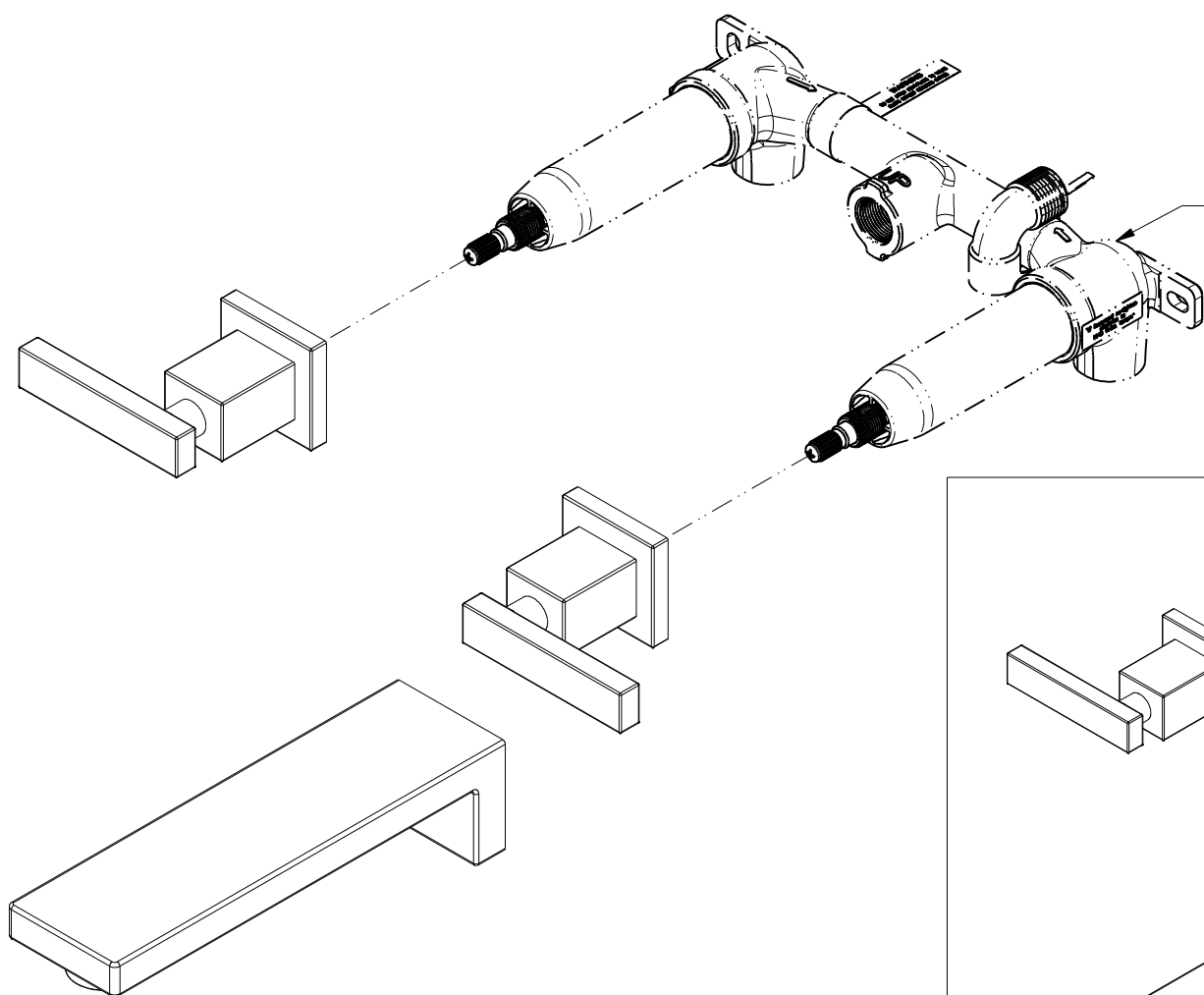
					UNITS ARE: INCHES [MM] TOLERANCES ARE: FRACTIONS DECIMALS ANGLES ±1/16" .X ±.1 [2.5] ±° .XX ±.06 [1.5]			<b>BRASSTECH</b> 2001 CARNEGIE AVE. SANTA ANA, CA 92705 (949) 417-5207	
					(X.XXX) DENOTES CRITICAL DIMS. ALL THREADS ARE CRITICAL			WALL MOUNT TUB	
					DRAWN JIMSON 05/27/20			DWG NO. 3-2565	
					CHECKED R.S. 05/27/20			REV B	
					APPROVED R.S. 05/27/20			SCALE .375 REF. - SHEET 1 OF 3	
TESTING	-	-	-	-					
ASSEMBLY	-	-	-	-					
PLATING	-	-	-	-					
POLISHING	-	NEXT ASSY	USED ON	-					
MACHINING	-	APPLICATION							
TOOLING FIXTURE #	REMOVE ALL BURRS AND SHARP EDGES								
-	B	EN-3961-2	05/27/20	R.S.	COPYRIGHT 2005 BRASSTECH, INC. THESE DRAWINGS AND THE DESIGNS DEPICTED HEREIN ARE THE PROPRIETARY PROPERTY OF BRASSTECH. ANY USE OR REPRODUCTION IS SUBJECT TO THE EXPRESS APPROVAL OF BRASSTECH. UNAUTHORIZED USE IS STRICTLY PROHIBITED. ALL RIGHTS RESERVED.				
-	A	EN-3072	12/20/17	J.M.					
-	-	EN-2168	05/23/12	-					
ZONE	REV	DESCRIPTION	DATE	APPROVED					

4

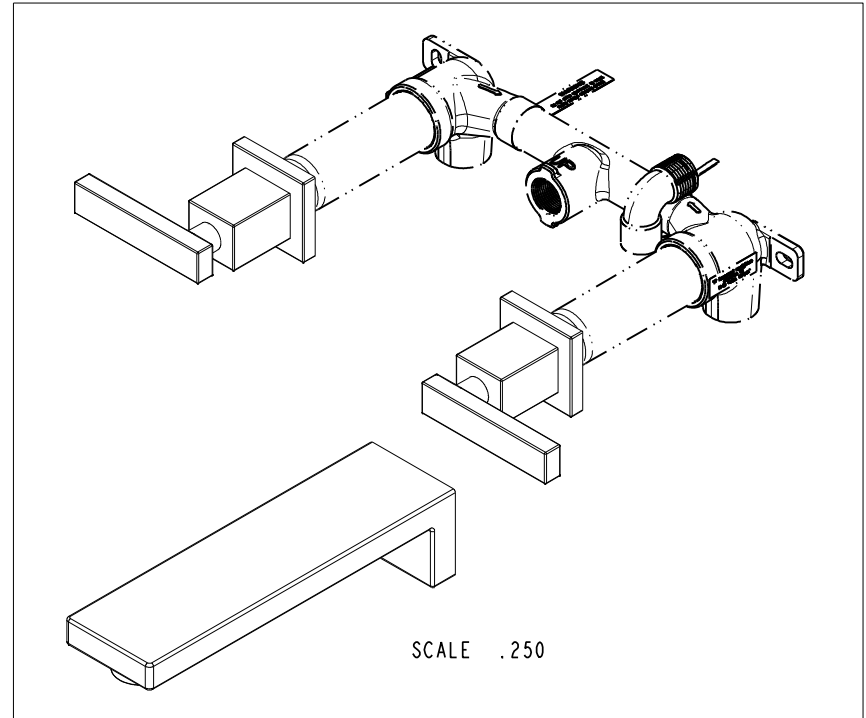
3

2

1

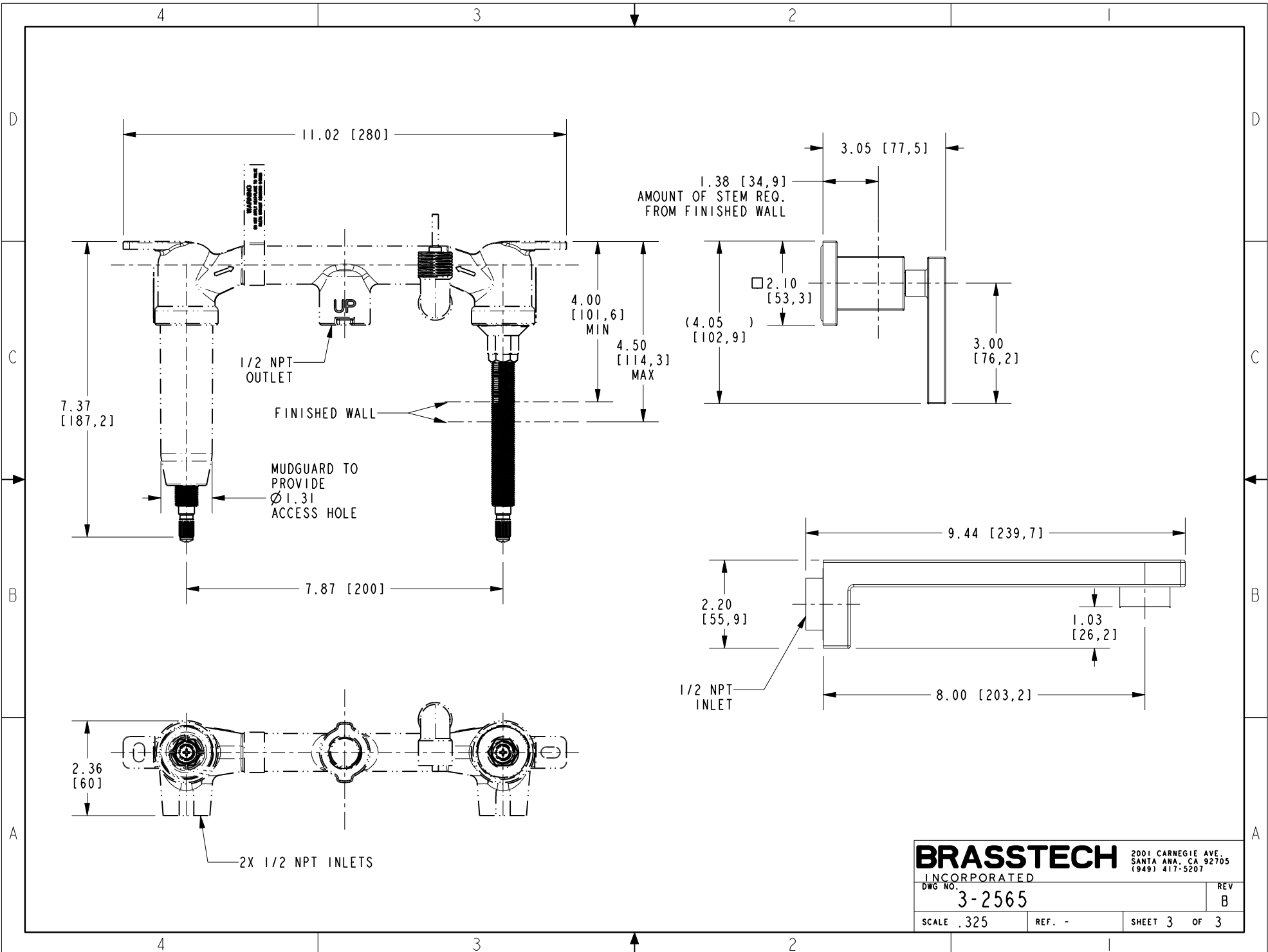


PN: 1-500U  
SOLD SEPARATELY



SCALE .250

<b>BRASSTECH</b>		2001 CARNEGIE AVE. SANTA ANA, CA 92705 (949) 417-5207	
INCORPORATED			
DWG NO.	3-2565	REV	B
SCALE	.325	REF.	-
		SHEET	2 OF 3



**BRASSTECH**  
 INCORPORATED  
 2001 CARNEGIE AVE.  
 SANTA ANA, CA 92705  
 (949) 417-5207

DWG NO. 3-2565	REV B
SCALE .325	REF. -
SHEET 3 OF 3	