

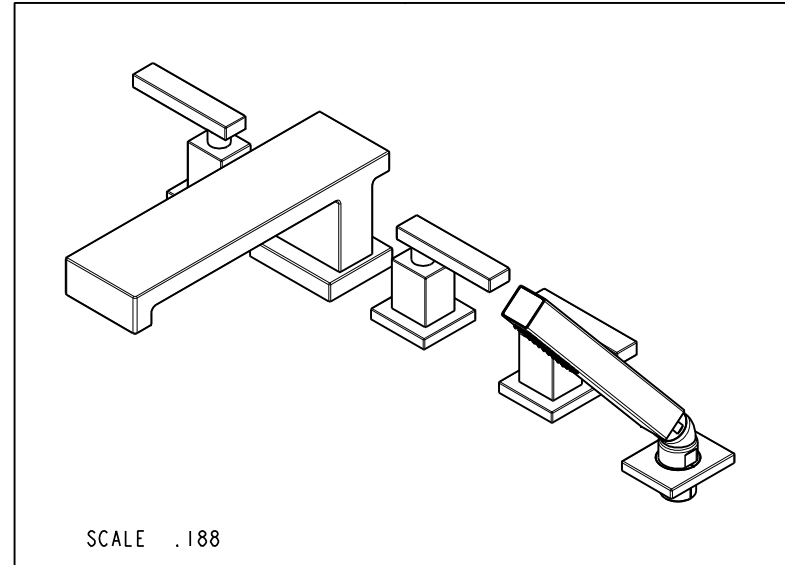
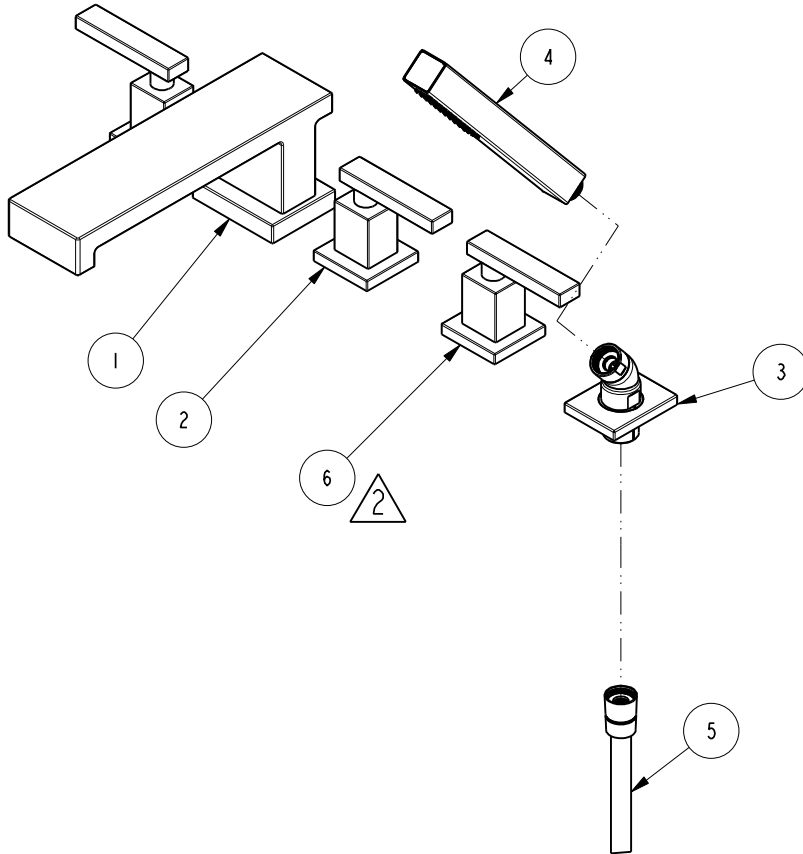
NOTES:

1. TO INSPECT ASSEMBLY, FOLLOW FIRST ARTICLE AND IN PROCESS INSPECTION SHEET.

2 BAG AND LABEL "3-442 DIVERTER HANDLE"

**BILL OF MATERIAL (CURRENT LEVEL)**

ITEM	PT/ASSY	DESCRIPTION	TYPE	QTY.
1	2-941	R/T SPOUT ASM	ASSEMBLY	1
2	3-368	HANDLE AND ESCUTCHEON ASSEMBLY	ASSEMBLY	2
3	6-289-4	DECK FLANGE TRIM	ASSEMBLY	1
4	283-102	SQUARE WAND HANDSHOWER	ASSEMBLY	1
5	284_RH	59 IN. SPIRAL SHOWER HOSE	ASSEMBLY	1
6	3-442	DIVERTER HANDLE ASM	ASSEMBLY	1



ZONE	REV	DESCRIPTION	DATE	APPROVED
-	B	EN-4300w	02/02/21	R.S.
-	A	EN-3397	06/04/18	J.A.
-	-	EN-2774c	01/27/15	J.M.

COPYRIGHT 2005 BRASSTECH, INC. THESE DRAWINGS AND THE DESIGNS DEPICTED HEREIN ARE THE PROPRIETARY PROPERTY OF BRASSTECH. ANY USE OR REPRODUCTION IS SUBJECT TO THE EXPRESS APPROVAL OF BRASSTECH. UNAUTHORIZED USE IS STRICTLY PROHIBITED. ALL RIGHTS RESERVED.

TESTING	ASSEMBLY	PLATING	POLISHING	MACHINING	TOOLING FIXTURE #	APPLICATION
-	-	-	-	-	-	REMOVE ALL BURRS AND SHARP EDGES
-	-	-	-	-	-	-
-	-	-	NEXT ASSY	USED ON	-	-
-	-	-	-	-	-	-

UNITS ARE: INCHES [MM]	
TOLERANCES ARE:	
FRACTIONS DECIMALS	ANGLES
±1/16"	±1°
.X ±.1 [2,5]	
.XX ±.06 [1,5]	
(X.XXX) DENOTES CRITICAL DIMS.	
ALL THREADS ARE CRITICAL	
DRAWN	JINSON 02/02/21
CHECKED	R.S. 02/02/21
APPROVED	R.S. 02/02/21

**BRASSTECH** 2001 CARNEGIE AVE. SANTA ANA, CA 92705 (949) 417-5207  
INCORPORATED

**ROMAN TUB SET AND HAND SHOWER**

DWG NO. **3-2567** REV **B**

SCALE .188 REF. - SHEET 1 OF 3

4 3 2 1

D

D

C

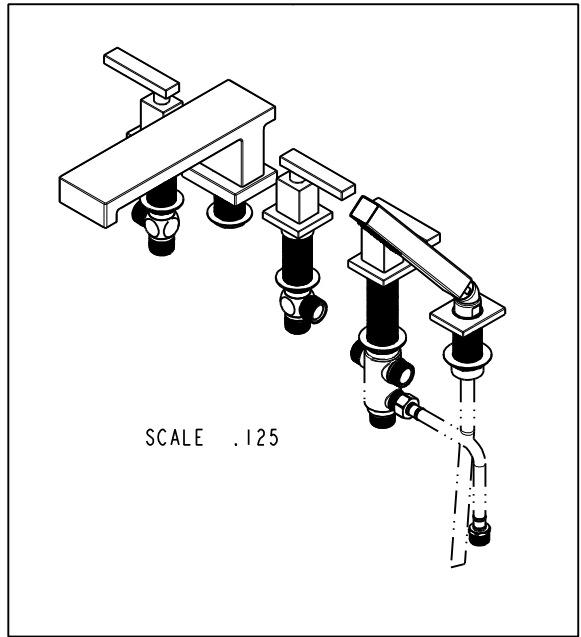
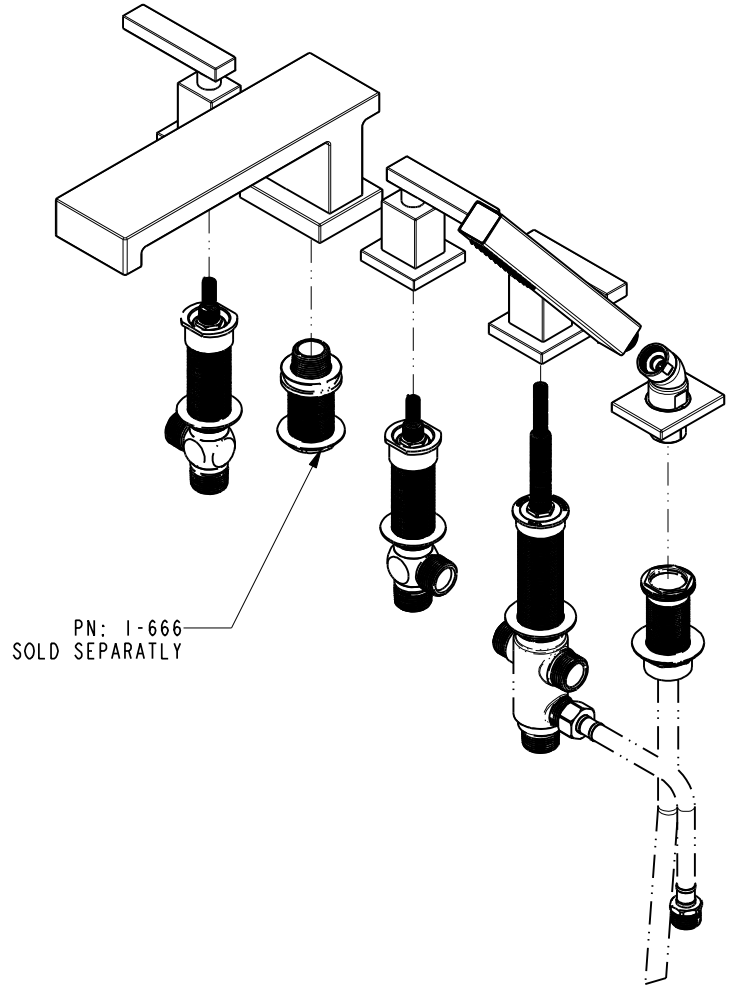
C

B

B

A

A



<b>BRASSTECH</b>		2001 CARNEGIE AVE. SANTA ANA, CA 92705 (949) 417-5207	
INCORPORATED			
DWG NO.	3-2567		REV B
SCALE .188	REF. -	SHEET 2 OF 3	

4 3 2 1

