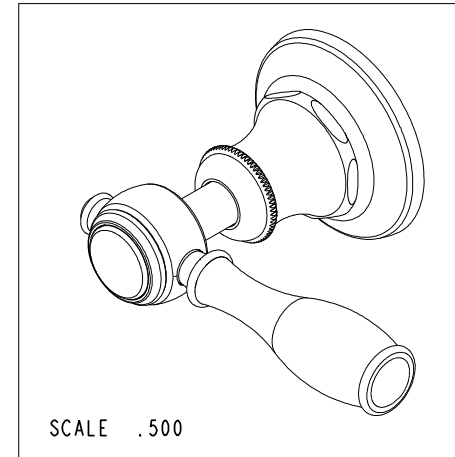
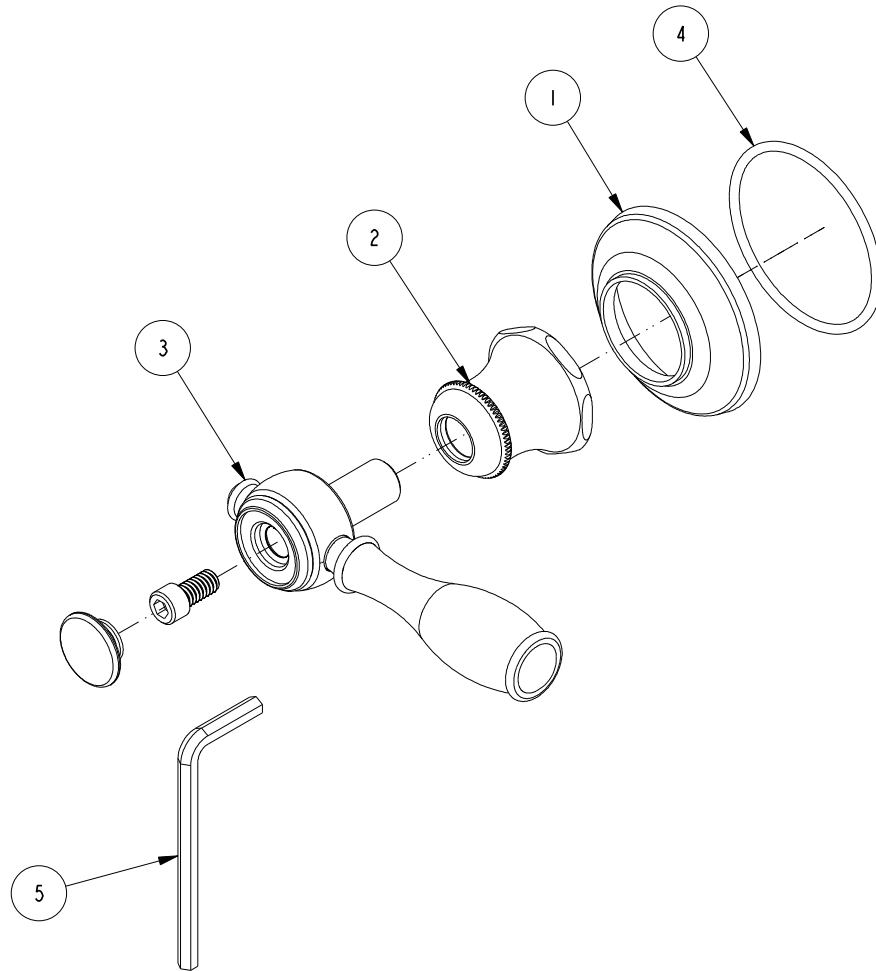


NOTES:

1. TO INSPECT ASSEMBLY, FOLLOW FIRST ARTICLE AND IN PROCESS INSPECTION SHEET.

BILL OF MATERIAL (CURRENT LEVEL)

ITEM	PT/ASSY	DESCRIPTION	TYPE	QTY.
1	12242	HANDLE ESCUTCHEON	PART	1
2	2-491	HANDLE BONNET ASM	ASSEMBLY	1
3	2-534	LEVER HANDLE ASM	ASSEMBLY	1
4	91753	O-RING, # 2-136, EP, 50 DURO - GREY	PART	1
5	92846	HEX KEY, 3/16" ALLOY STEEL	PART	1



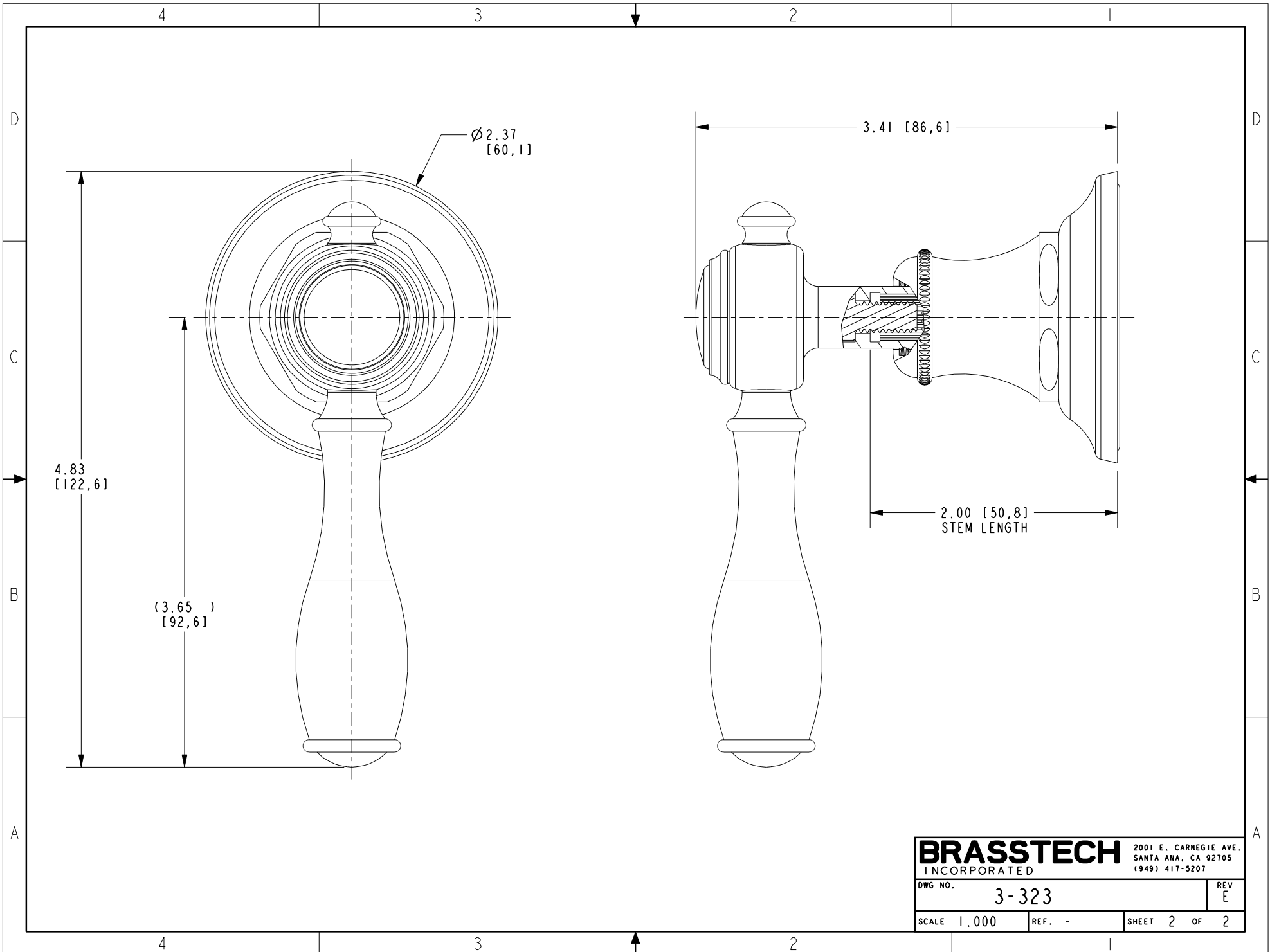
-	E	EN-4300j	12/16/20	R.S.
-	D	EN-3722	02/08/19	C.G.
-	C	EN-2701	02/21/14	-
-	B	EN-2032	01/07/14	-
-	A	EN-2510E	09/19/13	-
-	-	EO-0744	07/14/06	-
ZONE	REV	DESCRIPTION	DATE	APPROVED

COPYRIGHT 2005 BRASSTECH, INC. THESE DRAWINGS AND THE DESIGNS DEPICTED HEREIN ARE THE PROPRIETARY PROPERTY OF BRASSTECH. ANY USE OR REPRODUCTION IS SUBJECT TO THE EXPRESS APPROVAL OF BRASSTECH. UNAUTHORIZED USE IS STRICTLY PROHIBITED. ALL RIGHTS RESERVED.

TESTING	-	-	-
ASSEMBLY	-	-	-
PLATING	-	3-1772BP	1762BP
POLISHING	-	NEXT ASSY	USED ON
MACHINING	-	APPLICATION	
TOOLING FIXTURE #	REMOVE ALL BURRS AND SHARP EDGES		

UNITS ARE: INCHES [MM]		
TOLERANCES ARE:		
FRACTIONS	DECIMALS	ANGLES
±1/16"	.X ±.1 [2.5]	±1°
	.XX ±.06 [1.5]	
(X.XXX) DENOTES CRITICAL DIMS. ALL THREADS ARE CRITICAL		
DRAWN	JINSON	12/16/20
CHECKED	R.S.	12/16/20
APPROVED	R.S.	12/16/20

BRASSTECH		2001 CARNEGIE AVE. SANTA ANA, CA 92705 (949) 417-5207	
INCORPORATED			
LEVER HANDLE ASSEMBLY			
DWG NO.		REV	
3-323		E	
SCALE	REF.	SHEET	OF
.500	-	1	2



BRASSTECH		2001 E. CARNEGIE AVE. SANTA ANA, CA 92705 (949) 417-5207	
DWG NO.	3-323	REV	E
SCALE	1.000	REF.	-
		SHEET	2 OF 2