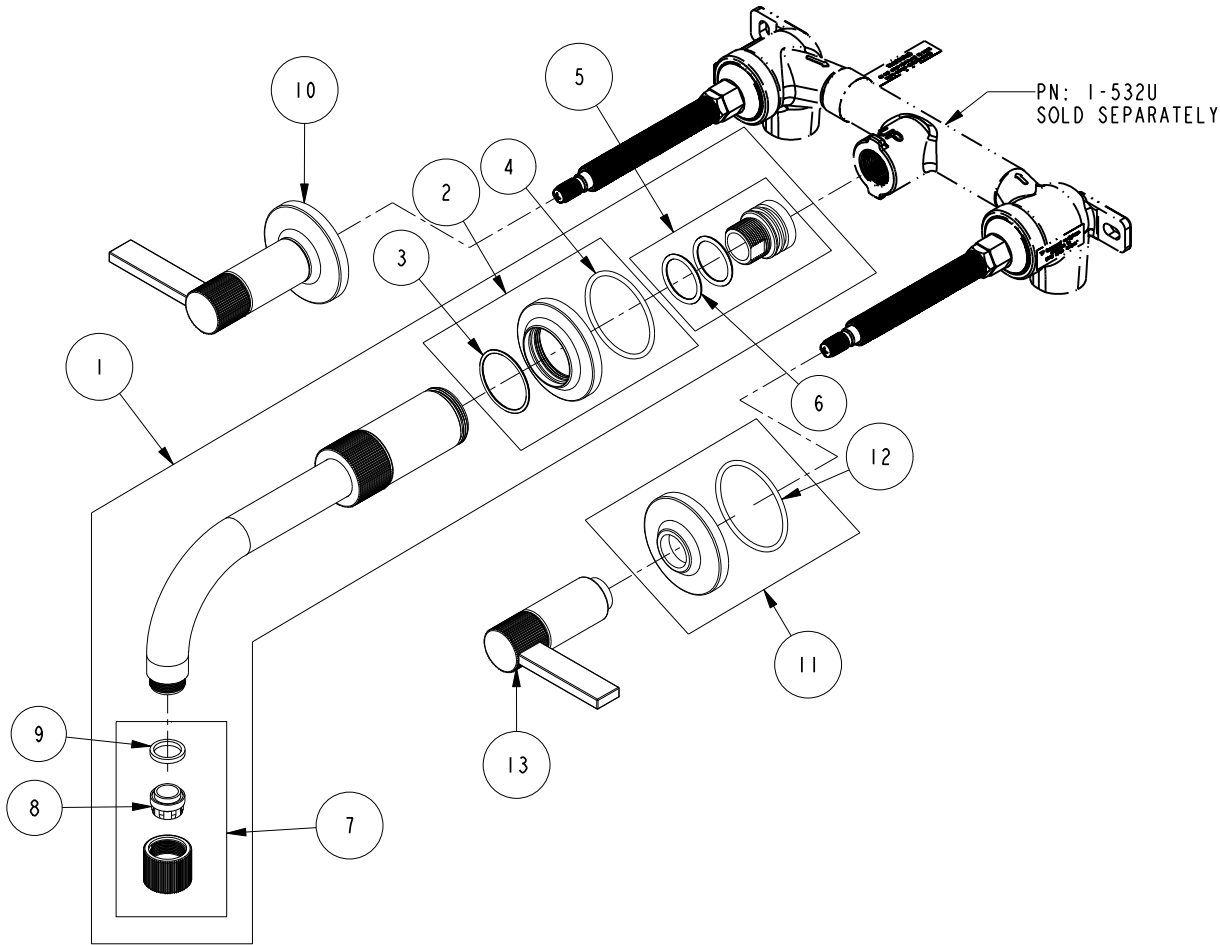


REPLACEMENT PARTS



ITEM	PT/ASSY	SPECIFY FINISH	DESCRIPTION
1	3-638	YES	W/M LAVATORY SPOUT W/ESC.
2	20-750	YES	ESCUTCHEON ASM
3	91764		O-RING, #2-027, EP, 50 DURO - GREY
4	91773		O-RING, #2-133, 50 DURO
5	1-368		WALL MOUNT SPOUT ADAPTOR ASM
6	91288		O-RING, #2-119, EPDM, 65-75 DURO
7	20-440	YES	AERATOR ASM
8	12403		AERATOR INSERT, Jr. SIZE, 1.2 GPM
9	91500		GSKT, .578 ID X .728 OD X .102 THK EPDM
10	3-644	YES	LEVER HANDLE W/ESC.
11	20-431	YES	ESCUTCHEON ASM
12	91756		O-RING #2-134, EP, 50 DURO - GREY
13	20-425	YES	LEVER HANDLE ASM

WALL MOUNT LAV FAUCET
3-3231

REV B EN-4640-2 04/13/23 APPROVED RS

NEWPORT BRASS.

t: 949.417.5207 | www.newportbrass.com