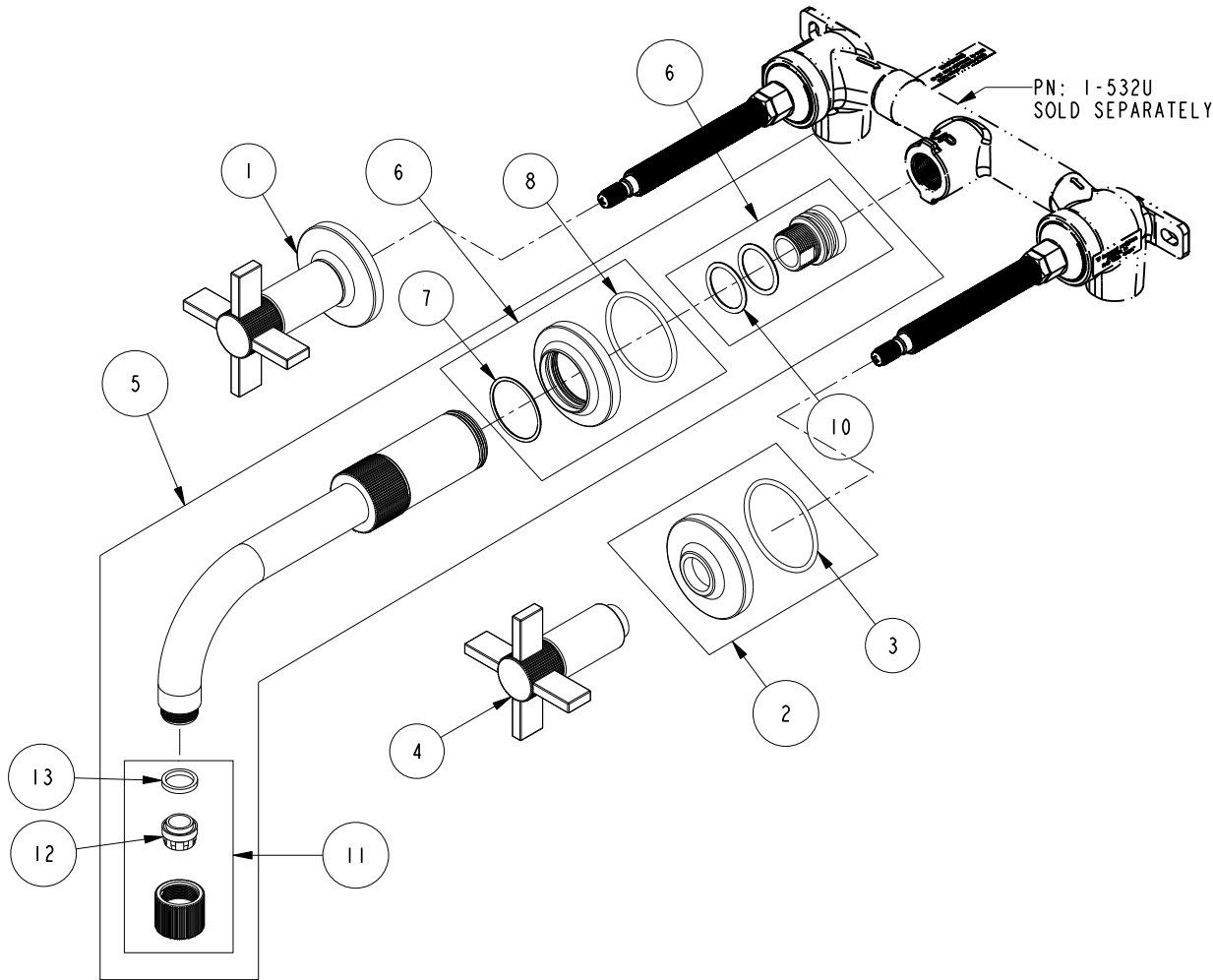


REPLACEMENT PARTS



| ITEM | PT/ASSY | SPECIFY FINISH | DESCRIPTION |
|------|---------|----------------|---|
| 1 | 3-645 | YES | CROSS HANDLE W/ESC. |
| 2 | 20-431 | YES | ESCUTCHEON ASM |
| 3 | 91756 | | O-RING #2-134, EP, 50 DURO - GREY |
| 4 | 20-426 | YES | CROSS HANDLE ASM |
| 5 | 3-638 | YES | W/M LAVATORY SPOUT W/ESC. |
| 6 | 20-750 | YES | ESCUTCHEON ASM |
| 7 | 91764 | | O-RING, #2-027, EP, 50 DURO - GREY |
| 8 | 91773 | | O-RING, #2-133, 50 DURO |
| 9 | 1-368 | | WALL MOUNT SPOUT ADAPTOR ASM |
| 10 | 91288 | | O-RING, #2-119, EPDM, 65-75 DURO |
| 11 | 20-440 | YES | AERATOR ASM |
| 12 | 12403 | | AERATOR INSERT, Jr. SIZE, 1.2 GPM |
| 13 | 91500 | | GSKT, .578 ID X .728 OD X .102 THK EPDM |

WALL MOUNT LAV FAUCET
3-3241

REV B EN-4640-2 04/13/23 APPROVED RS

NEWPORT BRASS.

t: 949.417.5207 | www.newportbrass.com