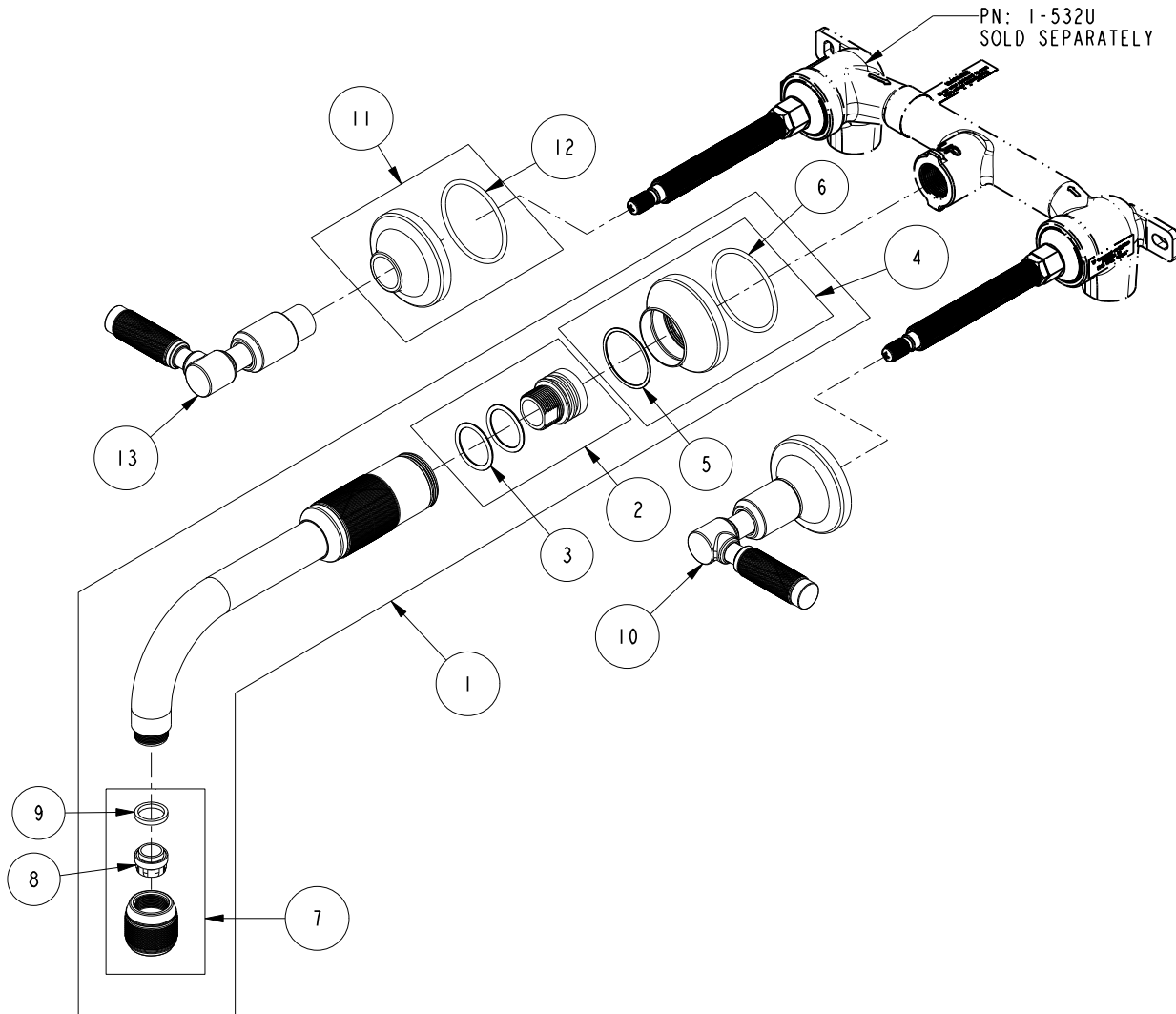


REPLACEMENT PARTS

ITEM	PT/ASSY	SPECIFY FINISH	DESCRIPTION
1	3-639	YES	W/M LAVATORY SPOUT W/ESC.
2	1-368		WALL MOUNT SPOUT ADAPTOR ASM
3	91288		O-RING, #2-119, EPDM, 65-75 DURO
4	20-746	YES	ESCUTCHEON ASM
5	91764		O-RING, #2-027, EP, 50 DURO - GREY
6	91773		O-RING, #2-133, 50 DURO
7	20-441	YES	AERATOR ASM
8	12403		AERATOR INSERT, Jr. SIZE, 1.2 GPM
9	91500		GSKT, .578 ID X .728 OD X .102 THK EPDM
10	3-646	YES	LEVER HANDLE W/ESC.
11	20-432	YES	ESCUTCHEON ASM
12	91773		O-RING, #2-133, 50 DURO
13	20-427	YES	LEVER HANDLE ASM



WALL MOUNT LAV FAUCET
3-3251

REV B EN-4640 04/05/23 APPROVED RS

NEWPORT BRASS.

t: 949.417.5207 | www.newportbrass.com