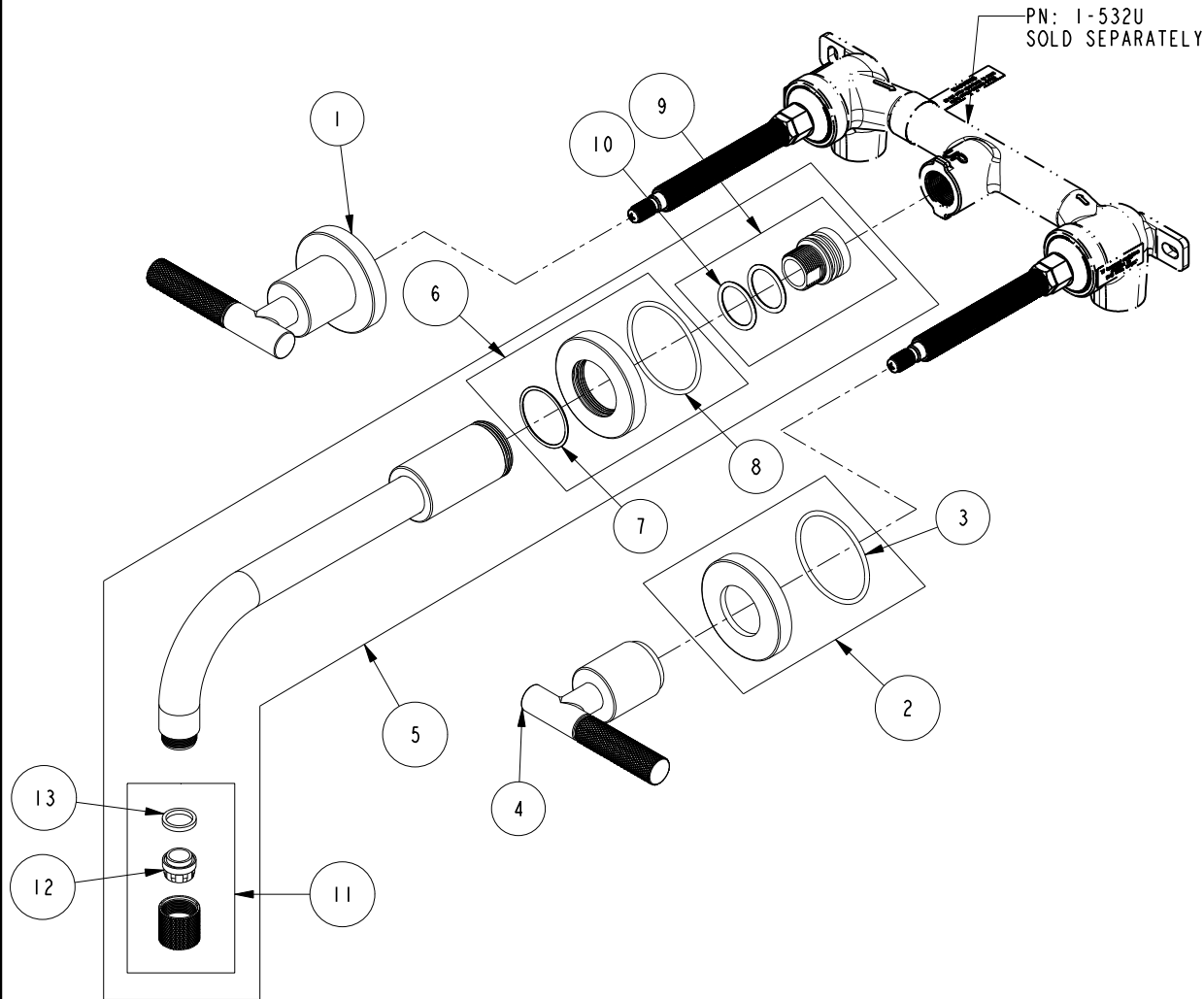


REPLACEMENT PARTS

ITEM	PT/ASSY	SPECIFY FINISH	DESCRIPTION
1	3-692	YES	LEVER HANDLE W/ESC.
2	20-527	YES	ESCUTCHEON ASM
3	91753		O-RING, # 2-136, EP, 50 DURO - GREY
4	20-522	YES	LEVER HANDLE ASM
5	3-694	YES	W/M LAVATORY SPOUT W/ESC.
6	20-748	YES	ESCUTCHEON ASM
7	91764		O-RING, #2-027, EP, 50 DURO - GREY
8	91753		O-RING, # 2-136, EP, 50 DURO - GREY
9	1-368		WALL MOUNT SPOUT ADAPTOR ASM
10	91288		O-RING, #2-119, EPDM, 65-75 DURO
11	20-521	YES	AERATOR ASM
12	12403		AERATOR INSERT, Jr. SIZE, 1.2 GPM
13	91500		GSKT, .578 ID X .728 OD X .102 THK EPDM



WALL MOUNT LAV FAUCET
3-3291

REV C EN-4640-2 04/12/23 APPROVED RS

NEWPORT BRASS.

t: 949.417.5207 | www.newportbrass.com