



4

3

2

1

D

D

C

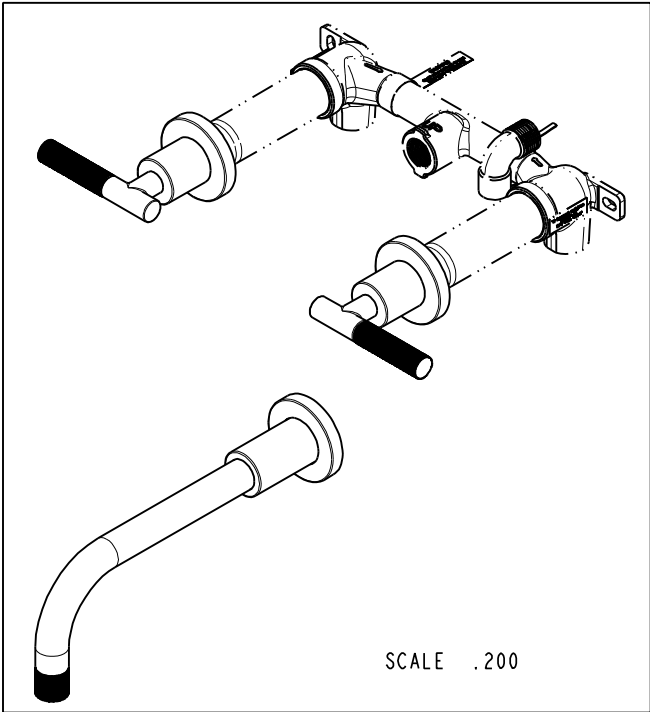
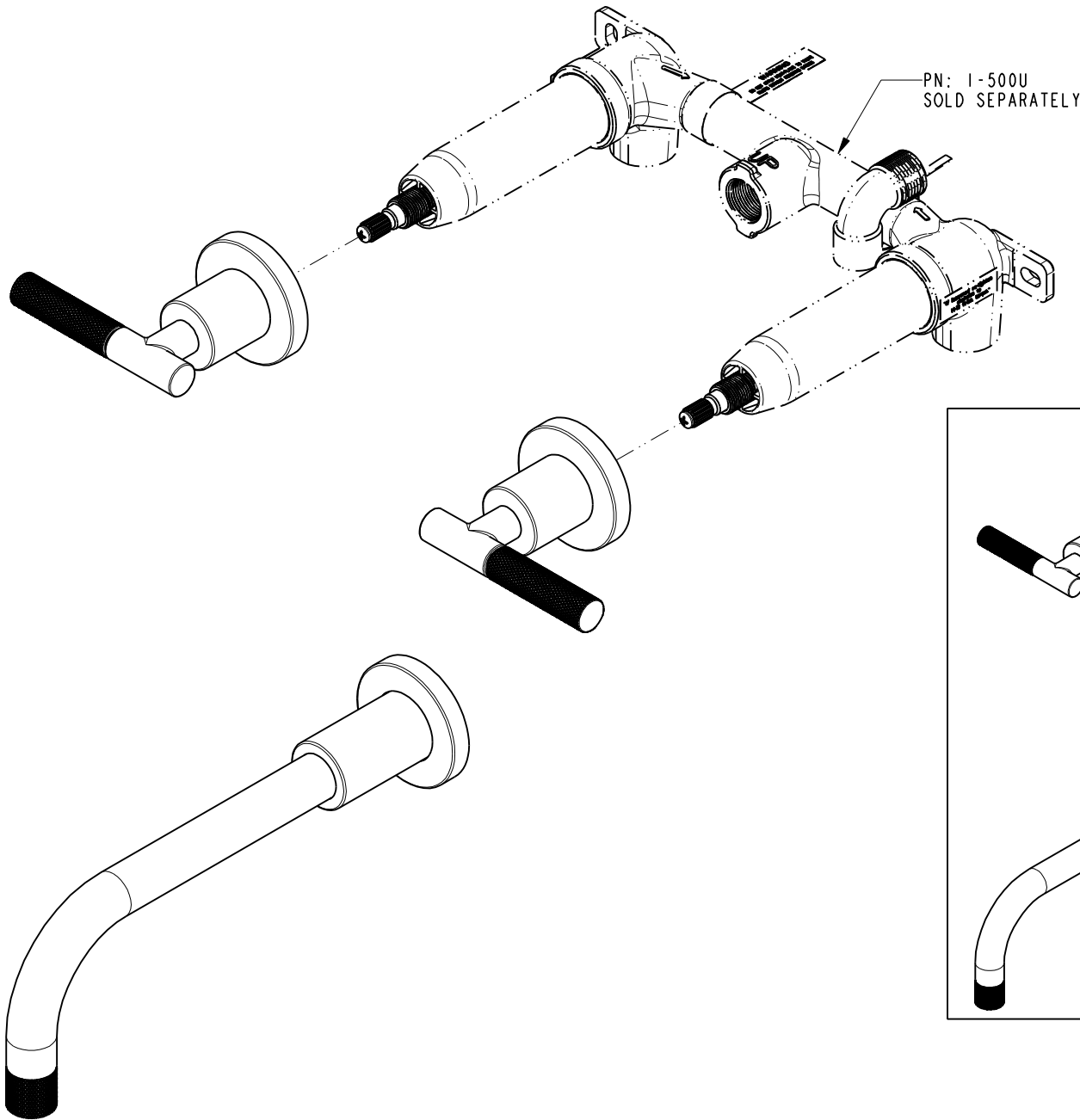
C

B

B

A

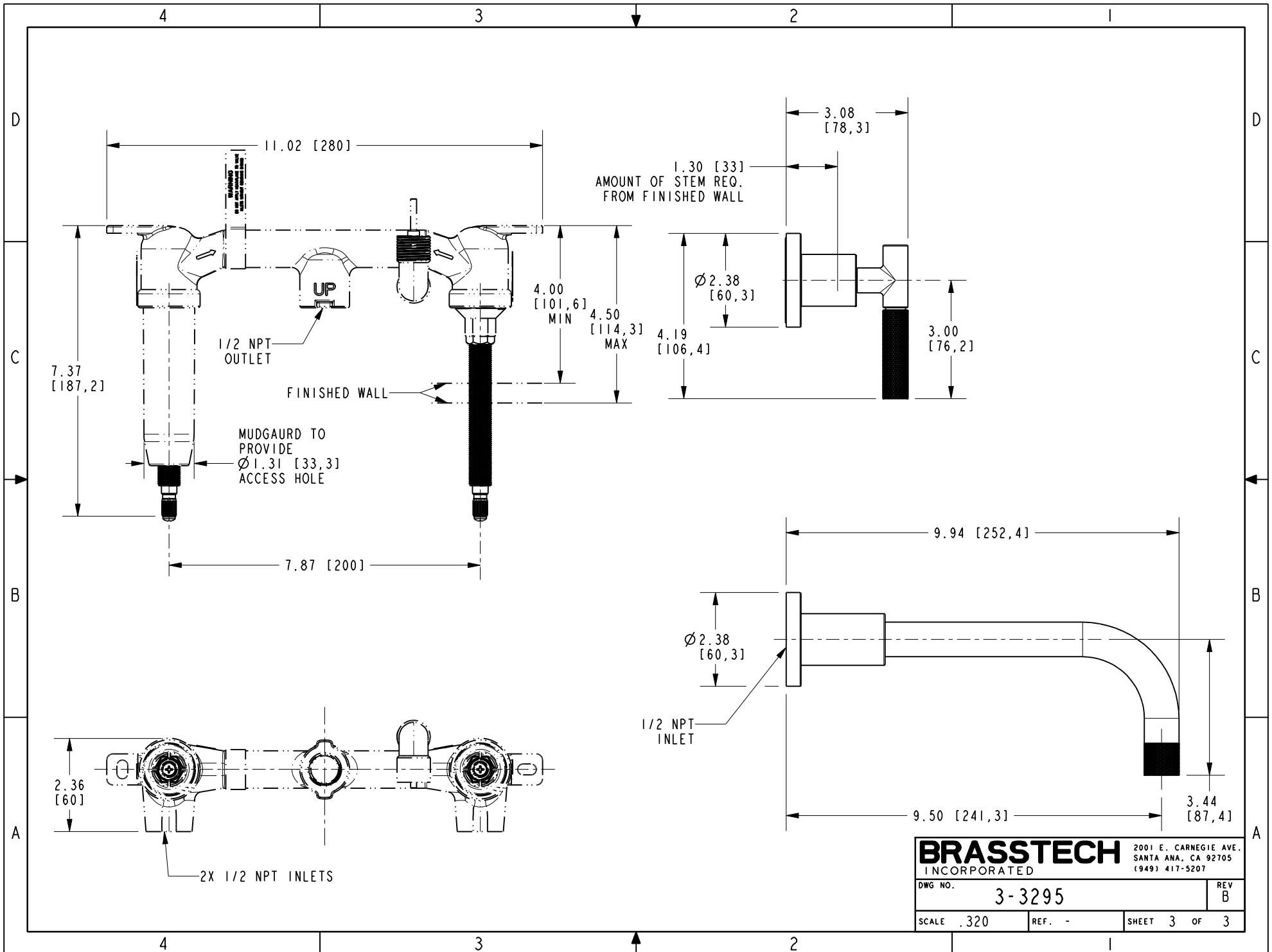
A



**BRASSTECH** 2001 E. CARNEGIE AVE.  
INCORPORATED SANTA ANA, CA 92705  
(949) 417-5207

DWG NO. 3-3295 REV B

SCALE .350 REF. - SHEET 2 OF 3



**BRASSTECH** 2001 E. CARNEGIE AVE.  
 INCORPORATED SANTA ANA, CA 92705  
 (949) 417-5207

DWG NO.	3-3295	REV	B
SCALE	.320	REF.	-
SHEET 3		OF 3	