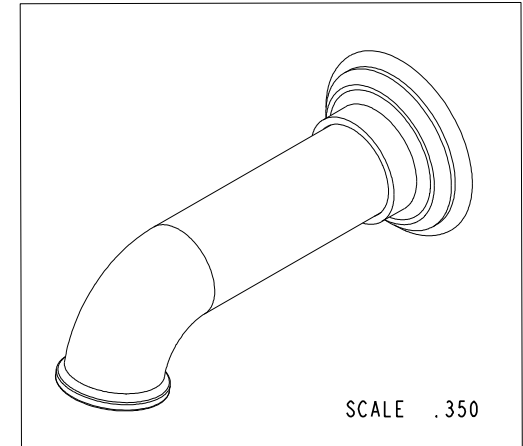
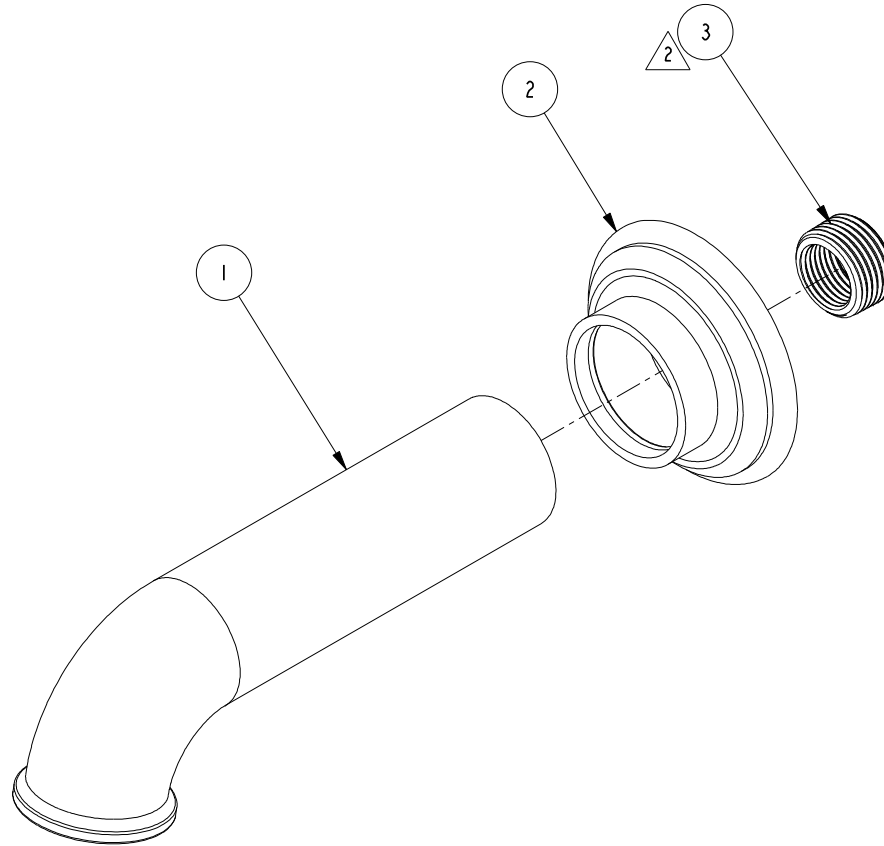


NOTES:

- (N1) 1. TO INSPECT ASSEMBLY, FOLLOW FIRST ARTICLE AND IN PROCESS INSPECTION SHEET.
- (N2) 2. LOOSE PIECE (DO NOT ASSEMBLE TO SPOUT). BAG IT IN A SEPARATE PLASTIC / FOAM BAG.

BILL OF MATERIAL (CURRENT LEVEL)

ITEM	PT/ASSY	DESCRIPTION	TYPE	QTY.
1	8-093	TUB WALL SPOUT ASM	ASSEMBLY	1
2	8-094	WALL TUB SPOUT ESCUTCHEON ASM	ASSEMBLY	1
3	50464	FACE BUSHING 3/4 X 1/2 NPT	PART	1

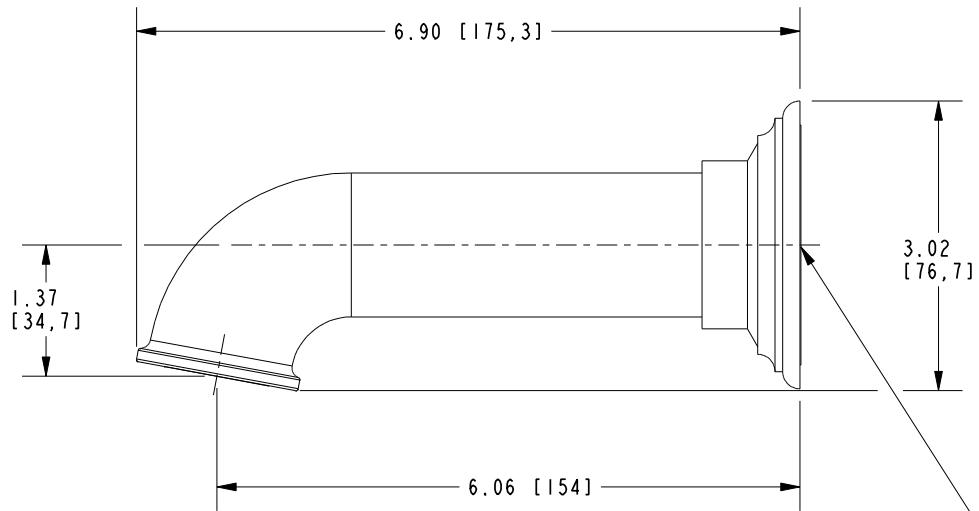
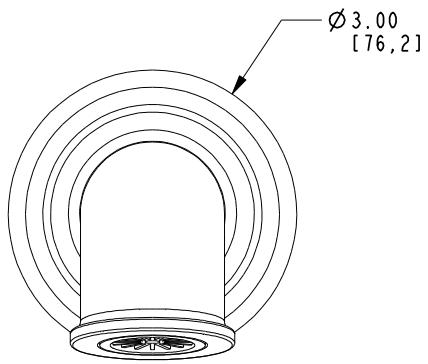


					UNITS ARE: INCHES [MM]		BRASSTECH 2001 CARNEGIE AVE. INCORPORATED SANTA ANA, CA 92705 (949) 417-5207	
					TOLERANCES ARE:			
					TESTING	-	-	(X.XXX) DENOTES CRITICAL DIMS. ALL THREADS ARE CRITICAL
					ASSEMBLY	-	-	
-	B	EN-4300ii	01/25/21	R.S.	PLATING	-	3-2552BP 3-2552BP	
-	A	EN-3223	12/15/16	J.A	POLISHING	-	NEXT ASSY USED ON	
-	-	EN-1849	08/03/11	-	MACHINING	-	APPLICATION	
ZONE	REV	DESCRIPTION	DATE	APPROVED	TOOLING FIXTURE #	REMOVE ALL BURRS AND SHARP EDGES		DRAWN AMARISH 12/15/16 CHECKED RAVINDRA 12/15/16 APPROVED J.A 12/15/16

BRASSTECH 2001 CARNEGIE AVE.
 INCORPORATED SANTA ANA, CA 92705
 (949) 417-5207

TUB SPOUT ASM

DWG NO.	3-427	REV	B
SCALE	.500	REF.	-
SHEET	1	OF	2



3/4" NPT INLET
(1/2" NPT BUSHING INCLUDED)

BRASSTECH

2001 CARNEGIE AVE.
SANTA ANA, CA 92705
(949) 417-5207

INCORPORATED

DWG NO.

3-427

REV

B

SCALE .500

REF. -

SHEET 2 OF 2