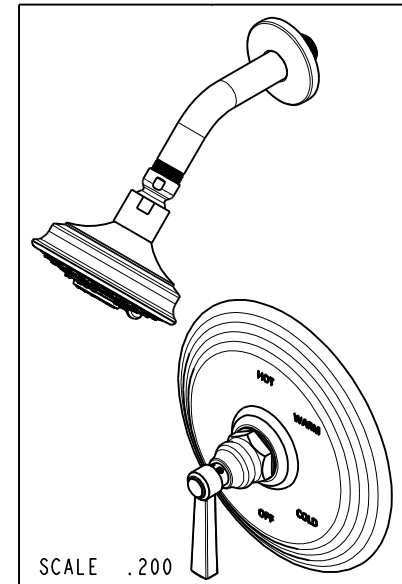
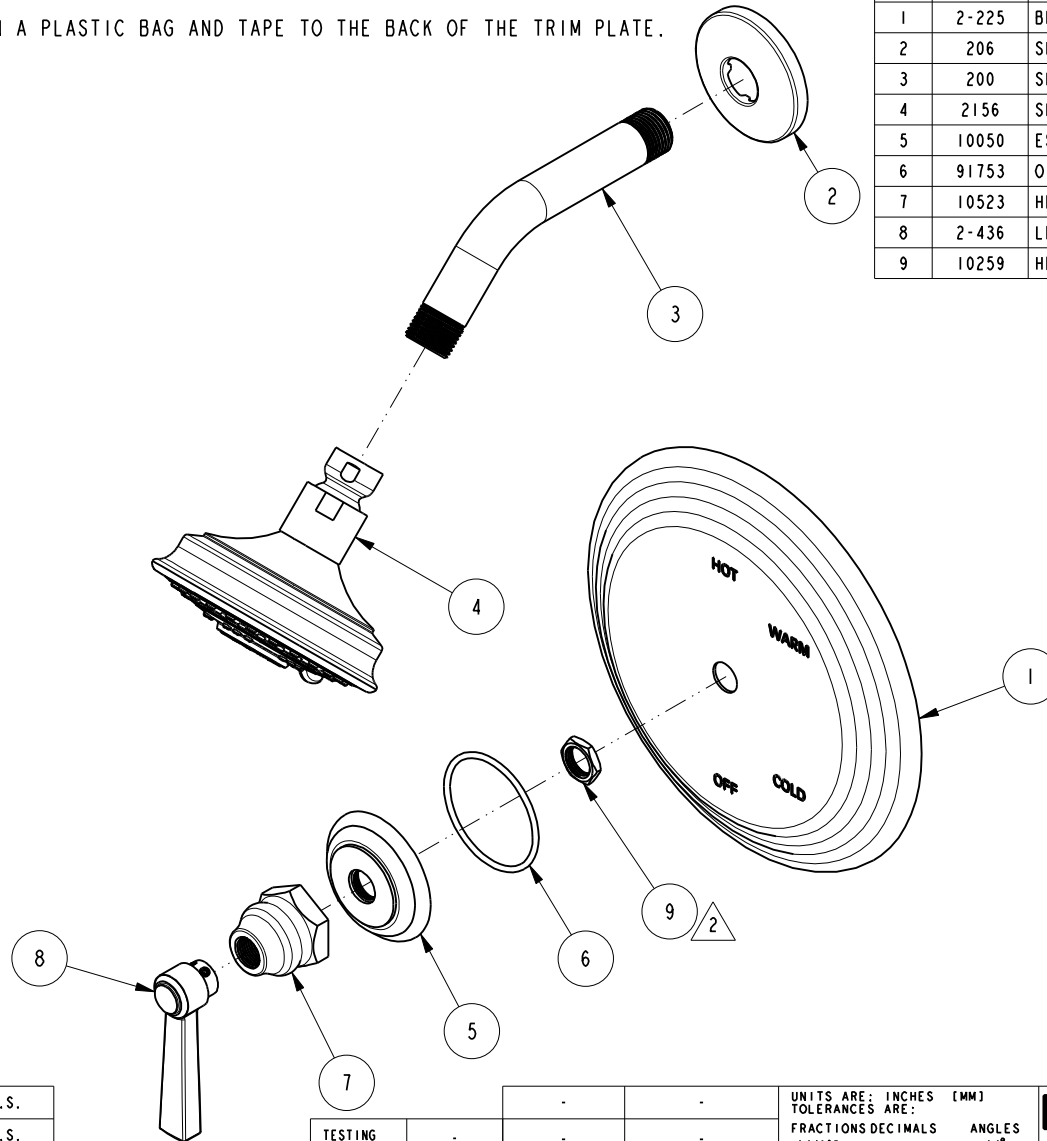


NOTES:

1. TO INSPECT ASSEMBLY, FOLLOW FIRST ARTICLE AND IN PROCESS INSPECTION SHEET.
2. SEAL NUT 10259 IN A PLASTIC BAG AND TAPE TO THE BACK OF THE TRIM PLATE.

BILL OF MATERIAL (CURRENT LEVEL)

ITEM	PT/ASSY	DESCRIPTION	TYPE	QTY.
1	2-225	BP COVER PLATE FOR SHOWER	ASSEMBLY	1
2	206	SHOWER ARM FLANGE	PART	1
3	200	SHOWER ARM 6" BRASS	PART	1
4	2156	SHOWER HEAD, TRAD	ASSEMBLY	1
5	10050	ESCUTCHEON WALL VALVE	PART	1
6	91753	O-RING, # 2-136, EP, 50 DURO - GREY	PART	1
7	10523	HEX ESCUTCHEON BONNET	PART	1
8	2-436	LEVER HANDLE ASM	ASSEMBLY	1
9	10259	HEX NUT 9/16 X 20 MADE	PART	1



ZONE	REV	DESCRIPTION	DATE	APPROVED
-	E	EN-4441	04/18/22	N.S.
-	D	EN-4300e	04/28/21	R.S.
-	C	EN-3722	02/08/19	C.G.
-	B	EN-2802	09/23/14	-
-	A	EN-2621B	02/28/14	-
-	-	EN-2621	11/25/13	-

COPYRIGHT 2005 BRASSTECH, INC. THESE DRAWINGS AND THE DESIGNS DEPICTED HEREIN ARE THE PROPRIETARY PROPERTY OF BRASSTECH. ANY USE OR REPRODUCTION IS SUBJECT TO THE EXPRESS APPROVAL OF BRASSTECH. UNAUTHORIZED USE IS STRICTLY PROHIBITED. ALL RIGHTS RESERVED.

TESTING	ASSEMBLY	PLATING	POLISHING	MACHINING	TOOLING FIXTURE #	APPLICATION
-	-	-	-	-	-	REMOVE ALL BURRS AND SHARP EDGES
-	-	-	-	-	-	-
-	-	-	-	-	-	-
-	-	-	-	-	-	-
-	-	-	-	-	-	-
-	-	-	-	-	-	-

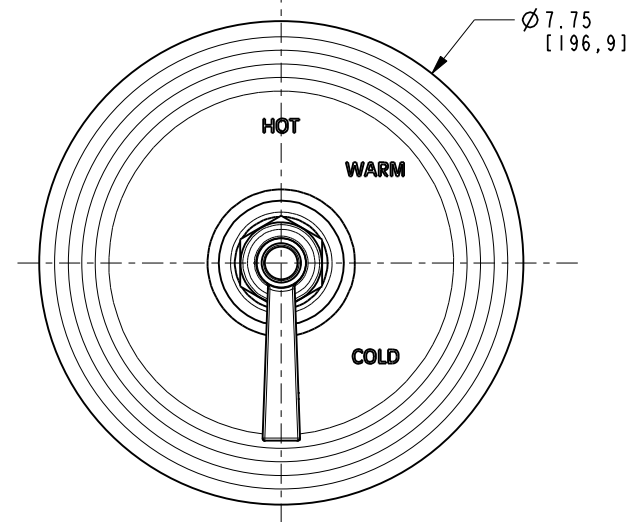
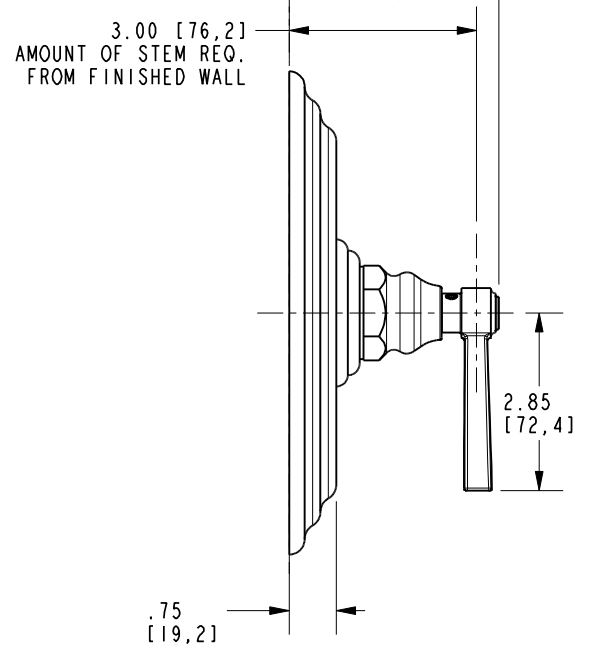
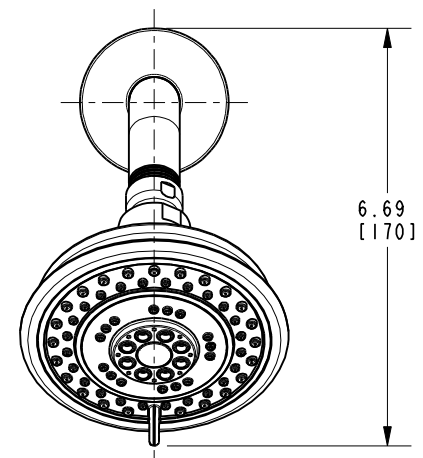
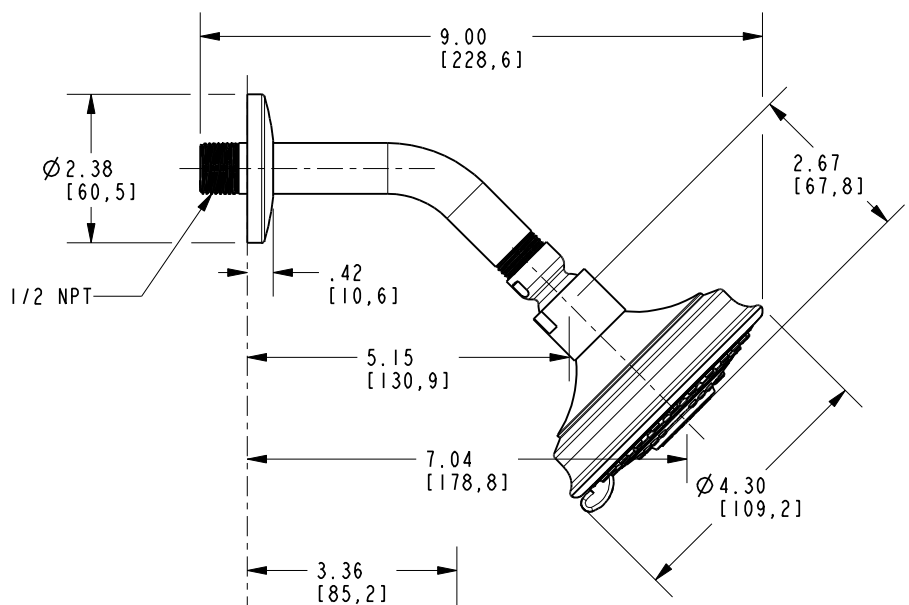
UNITS ARE: INCHES [MM]		TOLERANCES ARE:	
FRACTIONS	DECIMALS	ANGLES	
±1/16"	.X ±.1 [2,5]	±°	
	.XX ±.06 [1,5]		
(X.XXX) DENOTES CRITICAL DIMS. ALL THREADS ARE CRITICAL			
DRAWN	J.T.	04/18/22	
CHECKED	N.S.	04/18/22	
APPROVED	N.S.	04/18/22	

BRASSTECH 2001 CARNEGIE AVE. SANTA ANA, CA 92705 (949) 417-5207
INCORPORATED

BP SHOWER TRIM SET

DWG NO. **3-914BP** REV **E**

SCALE .313 REF. - SHEET 1 OF 2



BRASSTECH		2001 E. CARNEGIE AVE. SANTA ANA, CA 92705 (949) 417-5207	
DWG NO.	3-914BP		REV E
SCALE	.325	REF.	-
SHEET 2		OF 2	