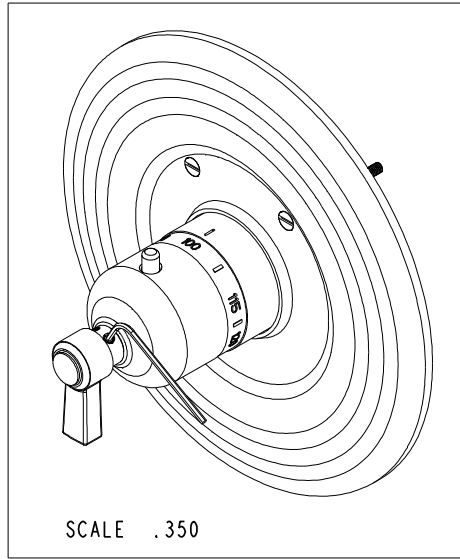
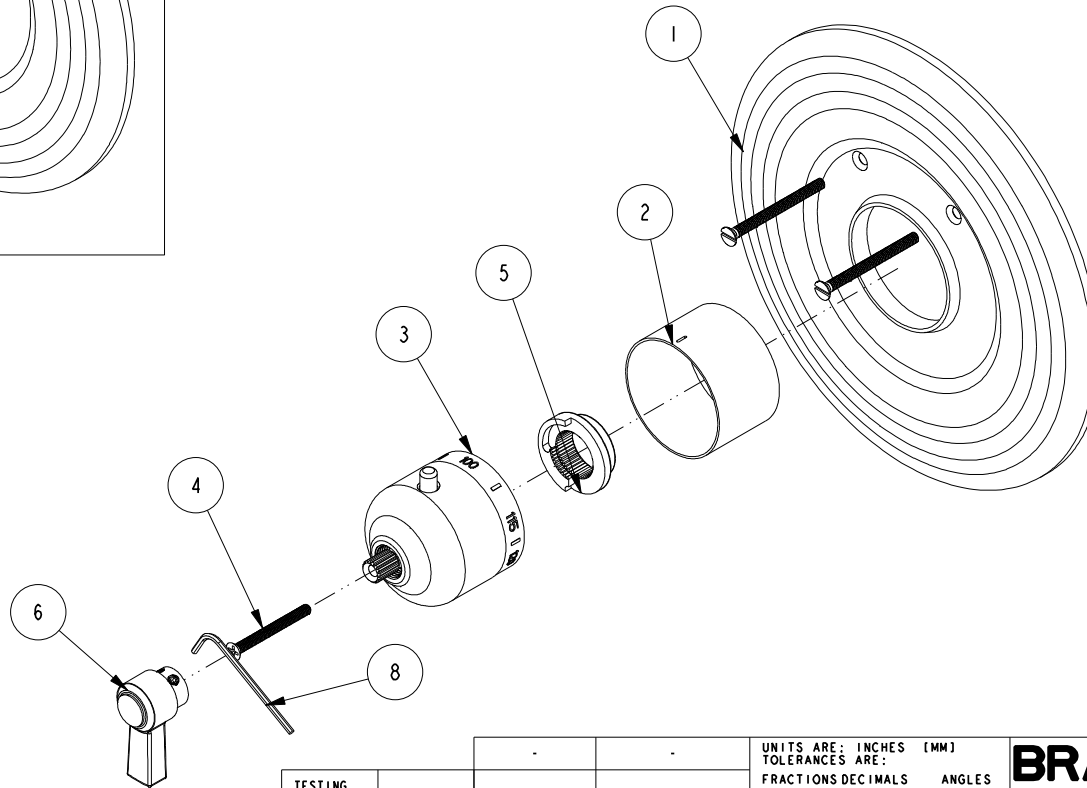


NOTES:

1. TO INSPECT ASSEMBLY, FOLLOW FIRST ARTICLE AND IN PROCESS INSPECTION SHEET.



BILL OF MATERIAL (CURRENT LEVEL)				
ITEM	PT/ASSY	DESCRIPTION	TYPE	QTY.
1	2-337	THERMO ROUND PLATE ASSEMBLY	ASSEMBLY	1
2	11029	SLEEVE - THERMO	PART	1
3	2-336	THERMO BONNET ASM - TRAD	ASSEMBLY	1
4	92113	SCRW, M4 X .7 X 40 PHL FLT HD SS	PART	1
5	91308	TEMP LIMIT STOP - THERMO	PART	1
6	2-442	LEVER HANDLE ASM	ASSEMBLY	1
7	1-540	THERMOSTATIC VALVE ASSEMBLY	ASSEMBLY	1
8	10192	HEX KEY TOOL, #8 5/64	PART	1



TESTING	-	-	-
ASSEMBLY	-	-	-
PLATING	-	-	-
POLISHING	-	NEXT ASSY	USED ON
MACHINING	-	APPLICATION	
TOOLING FIXTURE #	REMOVE ALL BURRS AND SHARP EDGES		

UNITS ARE: INCHES [MM]  
 TOLERANCES ARE:  
 FRACTIONS DECIMALS ANGLES  
 $\pm 1/16"$  .X  $\pm .1$  [2.5]  
 .XX  $\pm .06$  [1.5]  $\pm 1^\circ$

(X.XXX) DENOTES CRITICAL DIMS.  
 ALL THREADS ARE CRITICAL

DRAWN	-	11/25/13
CHECKED	-	11/25/13
APPROVED	-	11/25/13

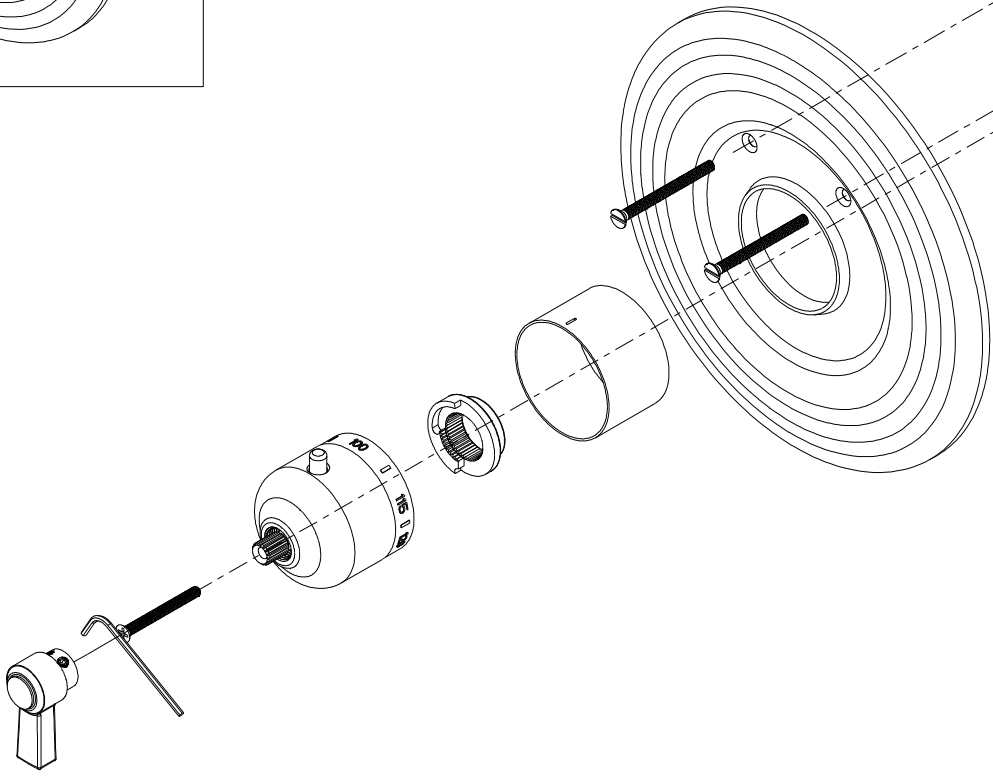
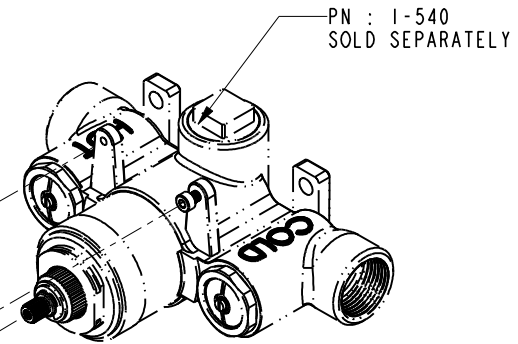
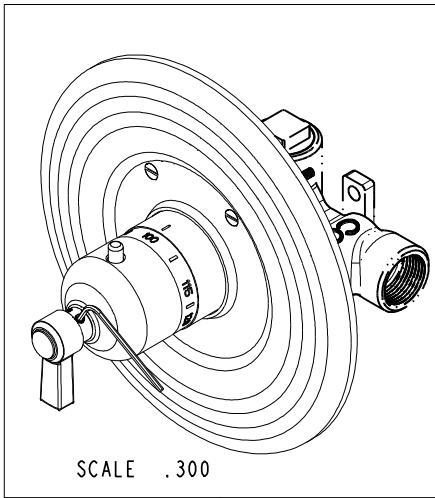
**BRASSTECH** 2001 CARNEGIE AVE.  
 INCORPORATED SANTA ANA, CA 92705  
 (949) 417-5207

ROUND TRIM THERMO

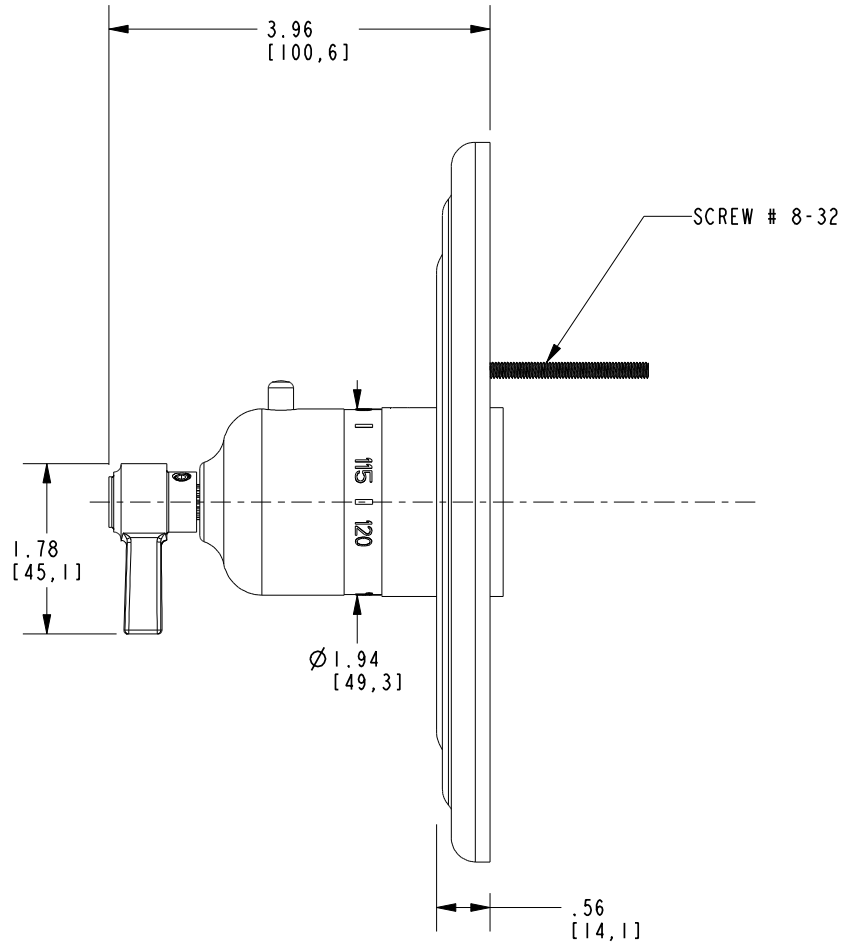
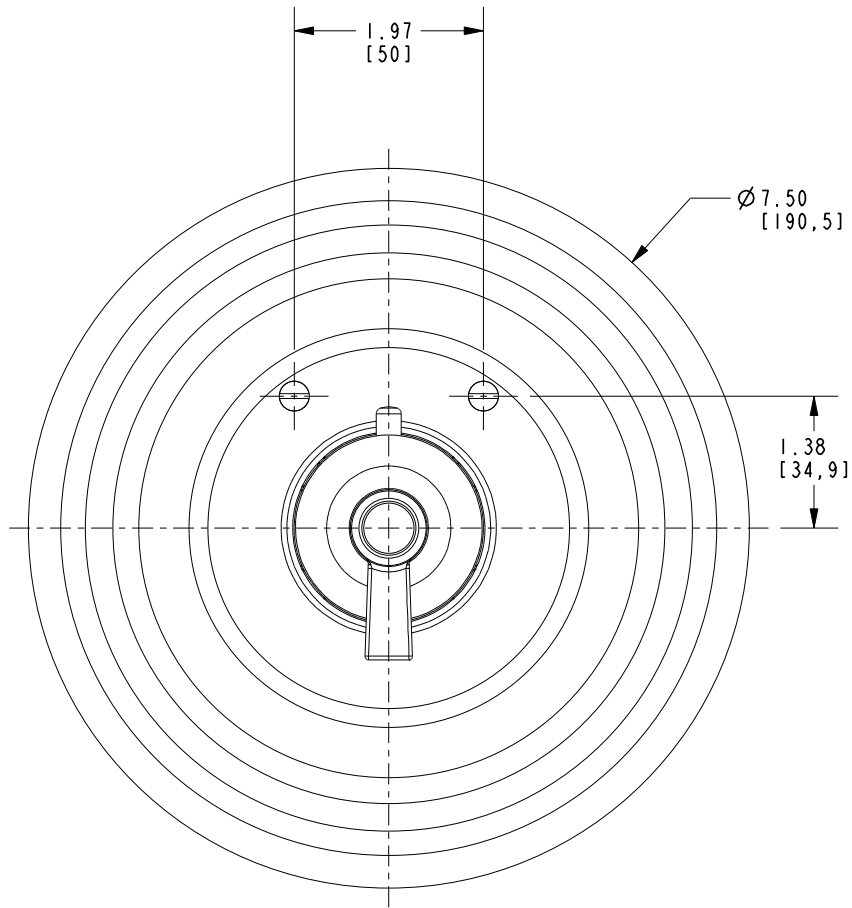
DWG NO.	3-914TR	REV	A
SCALE	.350	REF.	-
SHEET	1	OF	3

COPYRIGHT 2005 BRASSTECH, INC.  
 THESE DRAWINGS AND THE DESIGNS  
 DEPICTED HEREIN ARE THE PROPRIETARY  
 PROPERTY OF BRASSTECH. ANY USE  
 OR REPRODUCTION IS SUBJECT TO  
 THE EXPRESS APPROVAL OF BRASSTECH.  
 UNAUTHORIZED USE IS STRICTLY  
 PROHIBITED. ALL RIGHTS RESERVED.

ZONE	REV	DESCRIPTION	DATE	APPROVED
-	A	EN-3961-2	06/22/20	J.M.
-	-	EN-2621	11/25/13	-



<b>BRASSTECH</b>		2001 CARNEGIE AVE. SANTA ANA, CA 92705 (949) 417-5207	
INCORPORATED			
DWG NO.	3-914TR	REV	A
SCALE .500	REF. -	SHEET 2	OF 3



<b>BRASSTECH</b>		2001 CARNEGIE AVE. SANTA ANA, CA 92705 (949) 417-5207	
INCORPORATED			
DWG NO.	3-914TR	REV	A
SCALE .500	REF. -	SHEET 3	OF 3