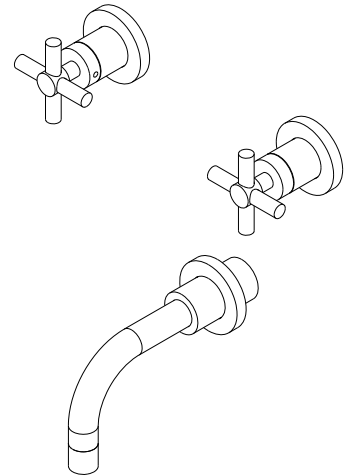


# EAST LINEAR

## Wall-Mounted Tub Trim 3-995

### Features

- Solid brass construction
- ADA compliant contemporary cross handles
- 7" (17.8 cm) spout length
- 1/2" NPT spout inlet fitting
- Intended for use with Newport Brass rough valve as specified (Required Accessory)
- Rough valve incorporates a brass valve body assembly
- Rough valve incorporates quarter-turn washerless ceramic disc valve cartridges



### Codes / Standards Compliance

Meets or exceeds the following at date of manufacture:

- ASME A112.18.1/CSA B125.1
- IAPMO/cUPC
- IPC
- ADA
- ICC/ANSI A117.1
- All applicable US Federal and State material regulations

### Colors / Finishes

- 15: Polished Nickel
- 15S: Satin Nickel
- 26: Polished Chrome
- 10B: Oil Rubbed Bronze

• Other: Refer to the Newport Brass catalog for additional color/finish options.

### Specified Model

| Model | Description           | Colors / Finishes           |                              |                             |                              |                                |
|-------|-----------------------|-----------------------------|------------------------------|-----------------------------|------------------------------|--------------------------------|
| 3-995 | Wall-Mounted Tub Trim | <input type="checkbox"/> 15 | <input type="checkbox"/> 15S | <input type="checkbox"/> 26 | <input type="checkbox"/> 10B | <input type="checkbox"/> Other |

### Required Accessory:

Both trim, above, and rough valve, below, must be specified.

| Application       | Tub Only Valve*                       | Wall Lavatory Valve            | Tub Only Valve*                       | Wall Lavatory Valve            |
|-------------------|---------------------------------------|--------------------------------|---------------------------------------|--------------------------------|
| Description       | 2-Cartridge Assembly with 16pt Spline |                                | 2-Cartridge Assembly with 20pt Spline |                                |
| Inlet/Outlet Size | 1/2"                                  | 1/2"                           | 1/2"                                  | 1/2"                           |
| Part Number       | <input type="checkbox"/> 1-500        | <input type="checkbox"/> 1-532 | <input type="checkbox"/> 1-564        | <input type="checkbox"/> 1-560 |
| Image             |                                       |                                |                                       |                                |

\* Plumbing code restrictions prohibit the use of the 1-500 for showers unless the 1-535 (Remote BP Valve) is installed upstream of the 1-500.

### Product Specification:

The Wall-Mounted Tub Trim shall be made of solid brass construction. Wall-Mounted Tub Trim shall include ADA compliant cross handles and a 7" (17.8 cm) tub spout that incorporates a 1/2" NPT inlet fitting. Wall-Mounted Tub Trim shall be Newport Brass Model 3-995/\_\_\_\_ and Newport Brass rough valve shall be 1-500.

# 3-995

Product Dimensions (units are in inches)

