

4

3

2

NOTES:

(N1) 1. TO INSPECT ASSEMBLY, FOLLOW FIRST ARTICLE AND IN PROCESS INSPECTION SHEET.

BILL OF MATERIAL (CURRENT LEVEL)

ITEM	PT/ASSY	DESCRIPTION	TYPE	QTY.
1	301-1	P TRAP 1-1/4 X 24	ASSEMBLY	1
2	314	BOX FLANGE 1-1/4	PART	1

D

C

B

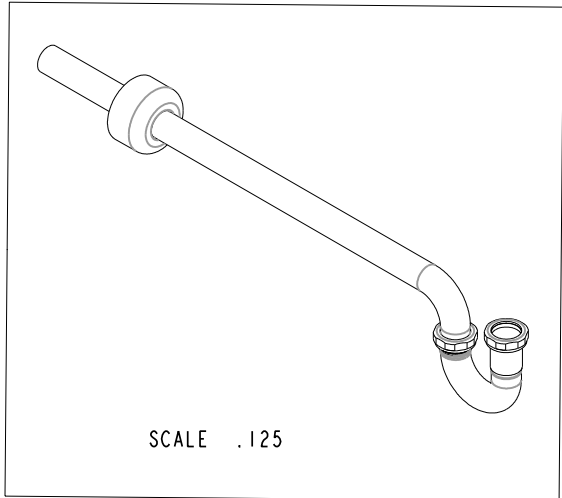
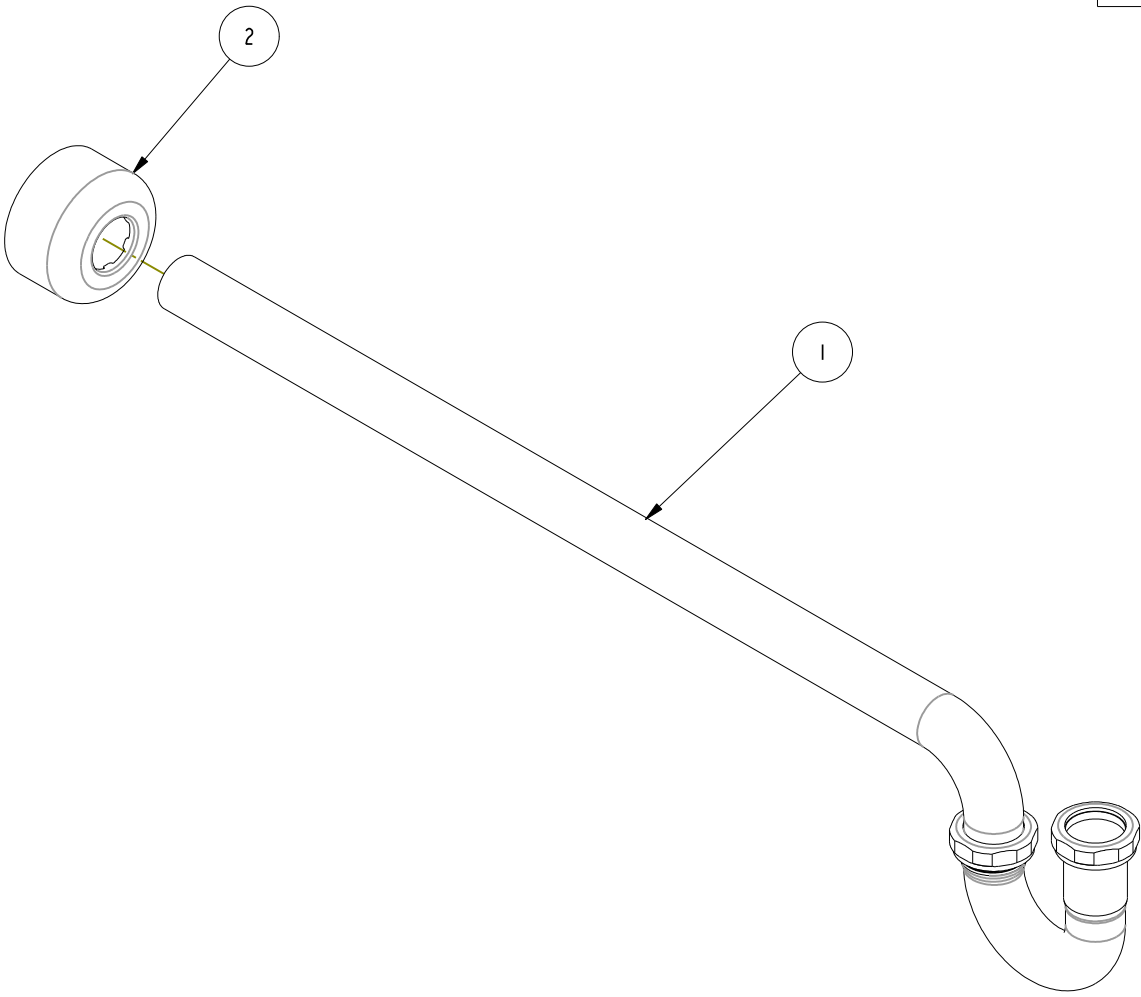
A

D

C

B

A



TESTING	-	-	-
ASSEMBLY	-	-	-
PLATING	-	-	-
POLISHING	-	NEXT ASSY	USED ON
MACHINING	-	APPLICATION	
TOOLING FIXTURE #	REMOVE ALL BURRS AND SHARP EDGES		

UNITS ARE: INCHES [MM]		
TOLERANCES ARE:		
FRACTIONS	DECIMALS	ANGLES
$\pm 1/16"$.X \pm .1 [2.5]	$\pm 1^\circ$
	.XX \pm .06 [1.5]	
(X.XXX) DENOTES CRITICAL DIMS. ALL THREADS ARE CRITICAL		
DRAWN	HMS	10/19/21
CHECKED	N. SANTOS	10/19/21
APPROVED	N. SANTOS	10/19/21

BRASSTECH INCORPORATED
 2001 CARNEGIE AVE.
 SANTA ANA, CA 92705
 (949) 417-5207

P-TRAP 1-1/4 X 24 LG w/
 FLANGE

DWG NO. **3014-1** REV A

SCALE .250 REF. - SHEET 1 OF 2

COPYRIGHT 2005 BRASSTECH, INC.
 THESE DRAWINGS AND THE DESIGNS
 DEPICTED HEREIN ARE THE PROPRIETARY
 PROPERTY OF BRASSTECH. ANY USE
 OR REPRODUCTION IS SUBJECT TO
 THE EXPRESS APPROVAL OF BRASSTECH.
 UNAUTHORIZED USE IS STRICTLY
 PROHIBITED. ALL RIGHTS RESERVED.

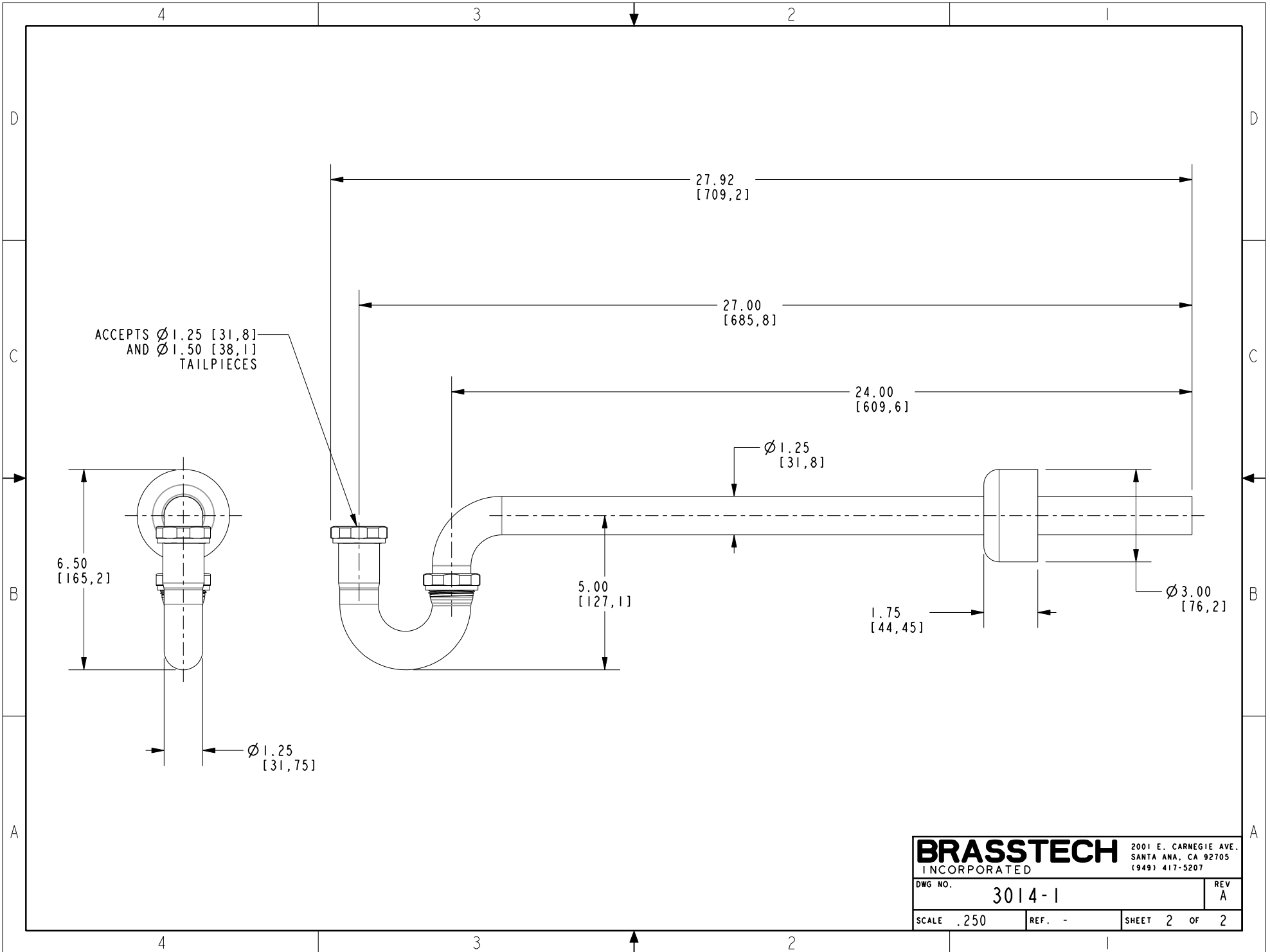
-	A	EN-430011	10/19/21	N.S.
-	-	EO-0361	05/18/04	-
ZONE	REV	DESCRIPTION	DATE	APPROVED

4

3

2

1



BRASSTECH		2001 E. CARNEGIE AVE.	
INCORPORATED		SANTA ANA, CA 92705	
		(949) 417-5207	
DWG NO.	3014-1	REV	A
SCALE	.250	REF.	-
		SHEET	2 OF 2