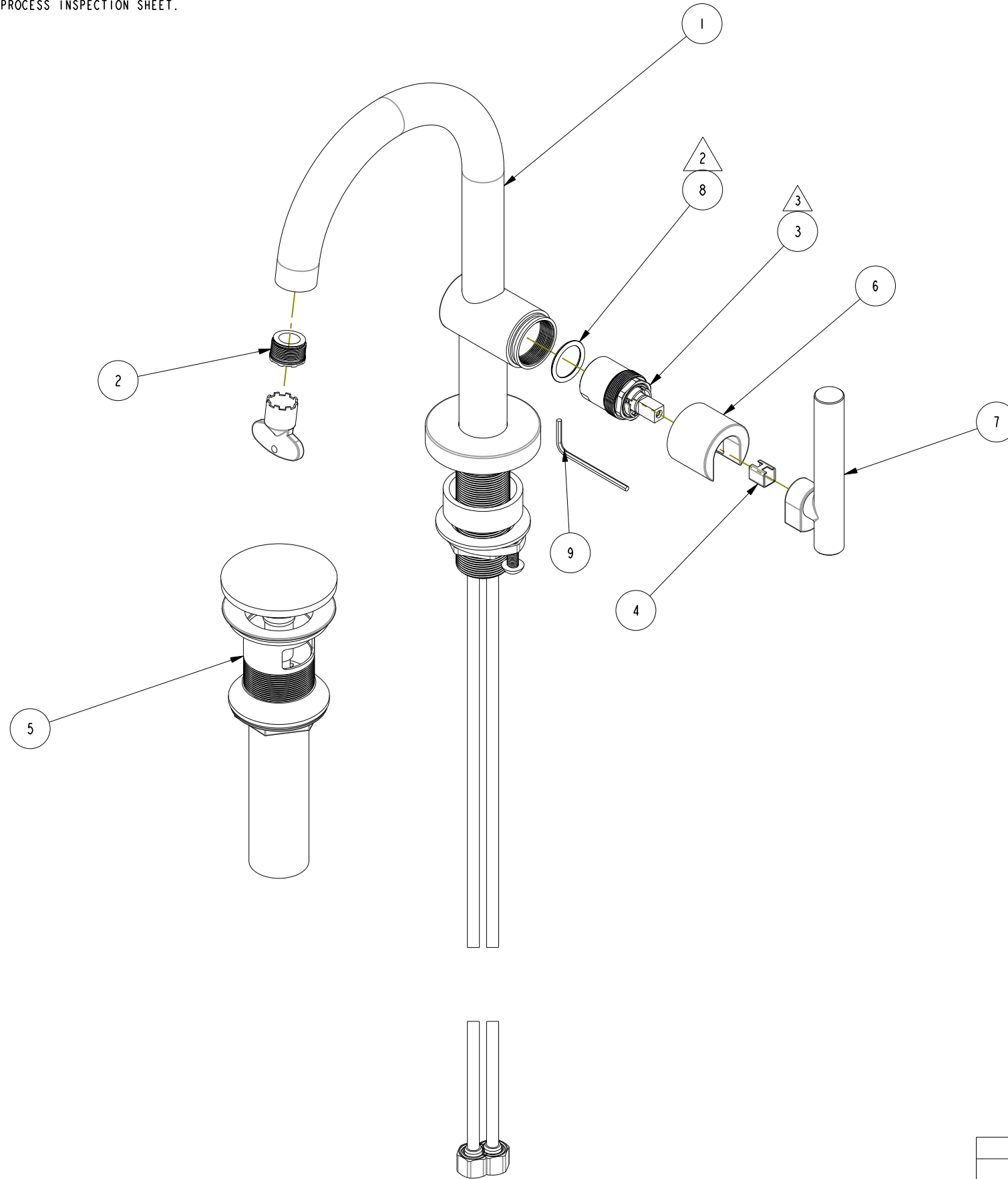


NOTES:

(N1) 1. TO INSPECT ASSEMBLY, FOLLOW FIRST ARTICLE AND IN PROCESS INSPECTION SHEET.

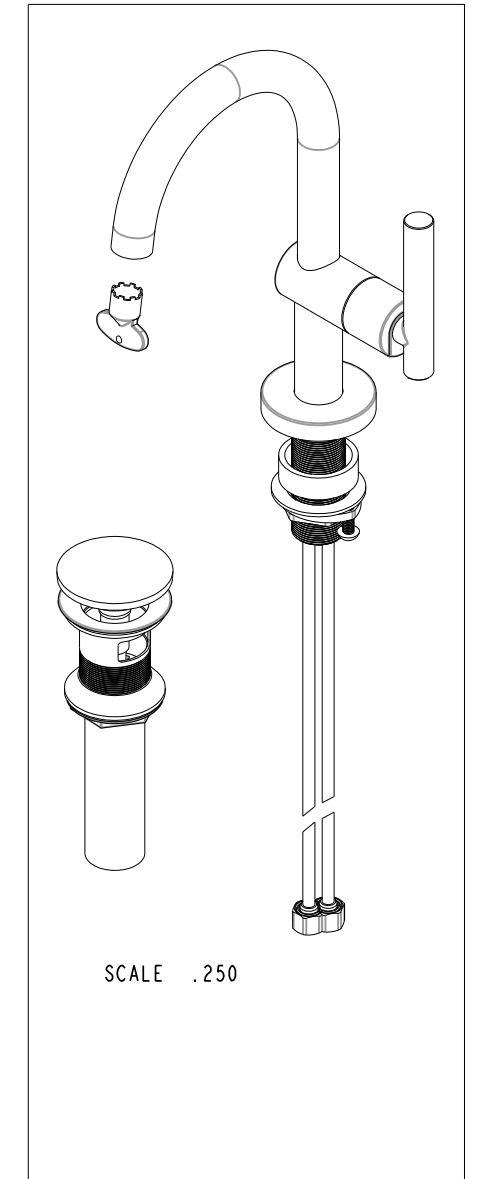
2 APPLY LIGHT FILM OF DOW CORNING 111 SILICON GREASE.

3 WHEN TIGHTENING ITEM 3 DURING ASSY, APPLY 50-60 LB-IN OF TORQUE.



BILL OF MATERIAL (CURRENT LEVEL)

ITEM	PT/ASSY	DESCRIPTION	TYPE	QTY.
1	3-793	SPOUT ASM	ASSEMBLY	1
2	1-492	AERATOR 1.2 GPM WITH KEY	ASSEMBLY	1
3	1-371	CARTRIDGE	PART	1
4	91534	CARTRIDGE STEM INSERT	PART	1
5	330	DRAIN, PUSH DOWN, W/ OVERFLOW	ASSEMBLY	1
6	13938	HANDLE HUB	PART	1
7	20-755	LEVER ASM	ASSEMBLY	1
8	91114	O-RING, #2- 116, EPDM, 65-75 DURO, NSF 61	PART	1
9	10159	HEX KEY, 3/32 ALLOY STEEL	PART	1



REV	DESCRIPTION	DATE	APPROVED
A	EN-4666	10/09/23	NS
-	EN-4590	01/17/23	NS

COPYRIGHT 2005 BRASSTECH, INC. THESE DRAWINGS AND THE DESIGNS DEPICTED HEREIN ARE THE PROPRIETARY PROPERTY OF BRASSTECH. ANY USE OR REPRODUCTION IS SUBJECT TO THE EXPRESS APPROVAL OF BRASSTECH. UNAUTHORIZED USE IS STRICTLY PROHIBITED. ALL RIGHTS RESERVED.

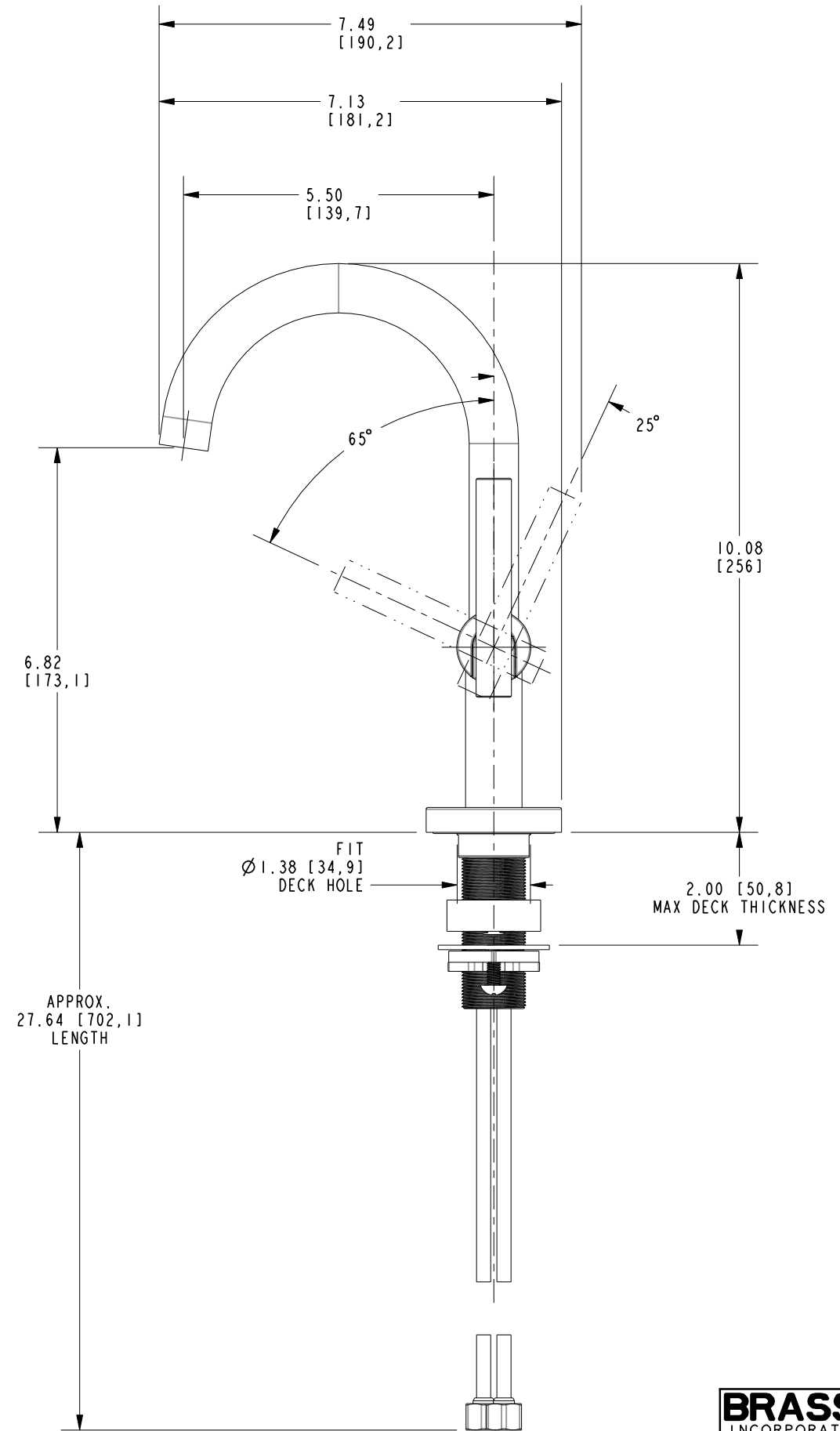
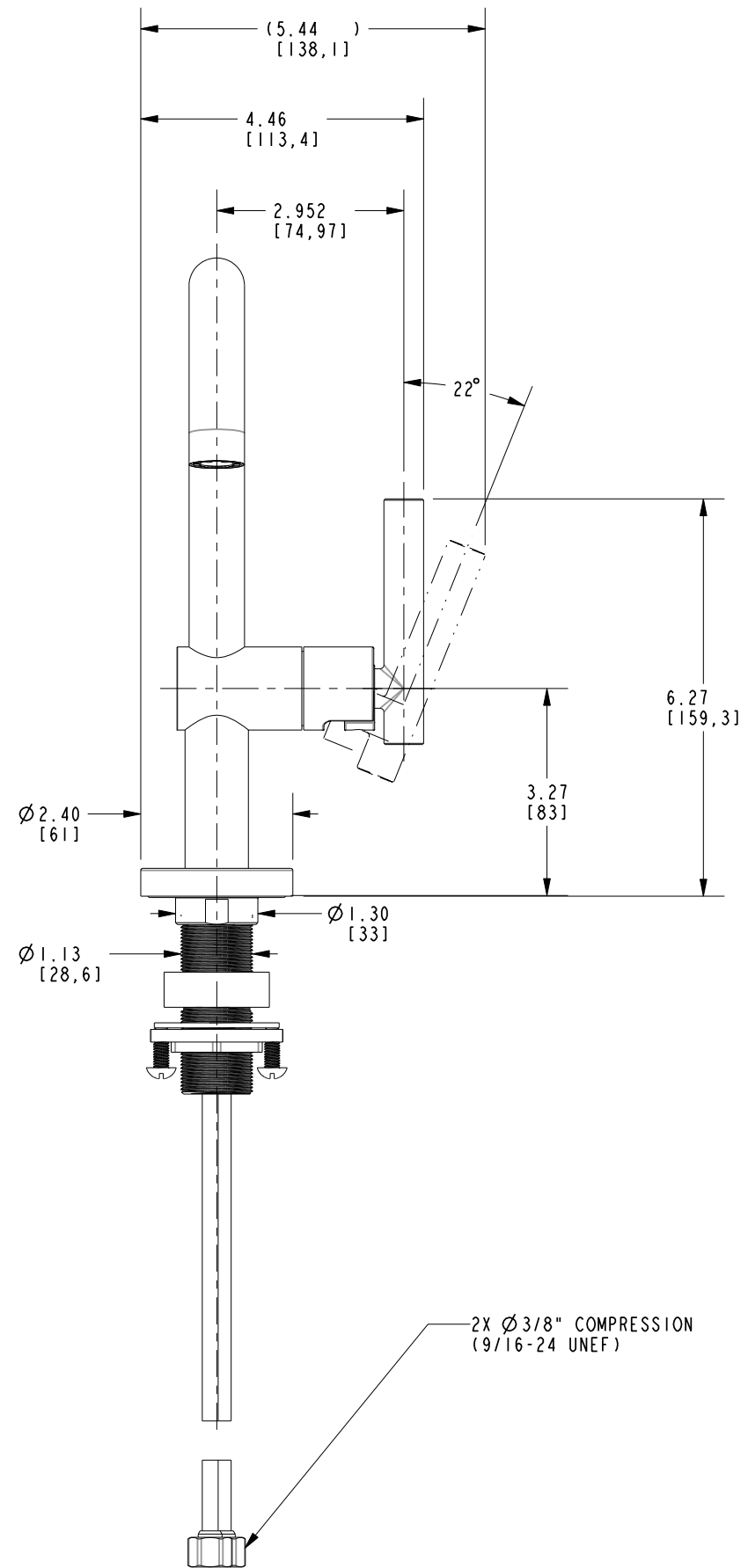
-	-	UNITS ARE: INCHES [MM]
-	-	TOLERANCES ARE:
-	-	FRACTIONS DECIMALS ANGLES
-	-	±1/16" .X ±.1 [2.5] ±°
-	-	.XX ±.06 [1.5]
-	-	X.XXX DENOTES CRITICAL DIMS. ALL THREADS ARE CRITICAL
NEXT ASSY	USED ON	DRAWN NMS 12/12/22
APPLICATION		CHECKED N. SANTOS 12/12/22
REMOVE ALL BURRS AND SHARP EDGES		APPROVED N. SANTOS 12/12/22

BRASSTECH 2001 CARNEGIE AVE. SANTA ANA, CA 92705 (949) 417-5207
INCORPORATED

SINGLE HOLE DECK LAVATORY

DWG NO. **3103** REV *******

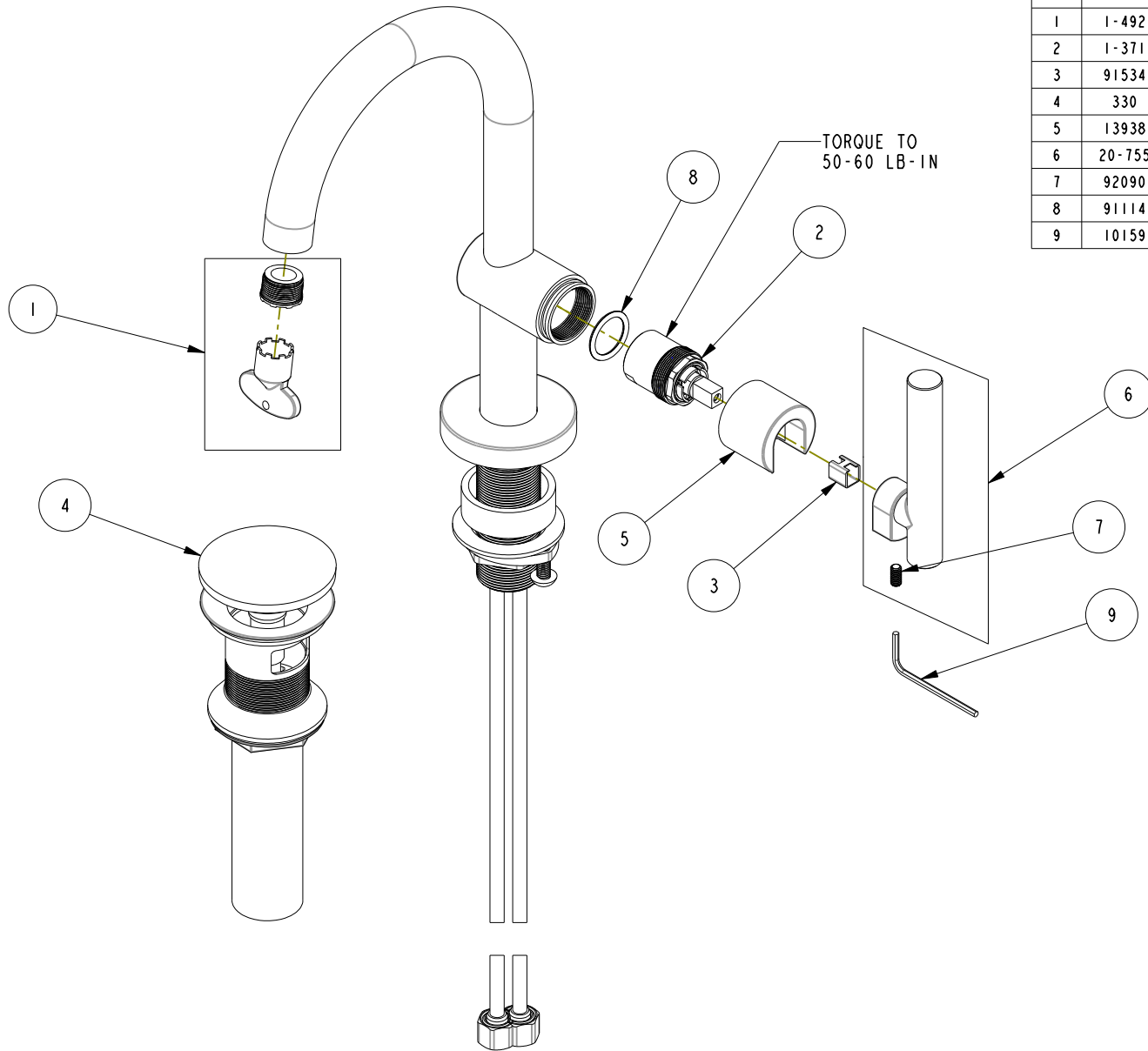
SCALE .375 REF. A.3 SHEET 1 OF 3



BRASSTECH		2001 E. CARNEGIE AVE. SANTA ANA, CA 92705 (949) 417-5207	
DWG NO.	3103	REV	###
SCALE	.375	REF.	A.3
SHEET 2 OF 3			

REPLACEMENT PARTS

ITEM	PT/ASSY	SPECIFY FINISH	DESCRIPTION
1	1-492		AERATOR 1.2 GPM WITH KEY
2	1-371		CARTRIDGE
3	91534		CARTRIDGE STEM INSERT
4	330	YES	DRAIN, PUSH DOWN, W/ OVERFLOW
5	13938	YES	HANDLE HUB
6	20-755	YES	LEVER ASM
7	92090		SCRW, 10-32 X 3/8 SKT HD W/ SELF LOC
8	91114		O-RING, #2- 116, EPDM, 65-75 DURO, NSF 61
9	10159		HEX KEY, 3/32 ALLOY STEEL



N. SANTOS
3103

REV A EN-4666 06/03/22 APPROVED RS

NEWPORT BRASS.

t: 949.417.5207 | www.newportbrass.com