
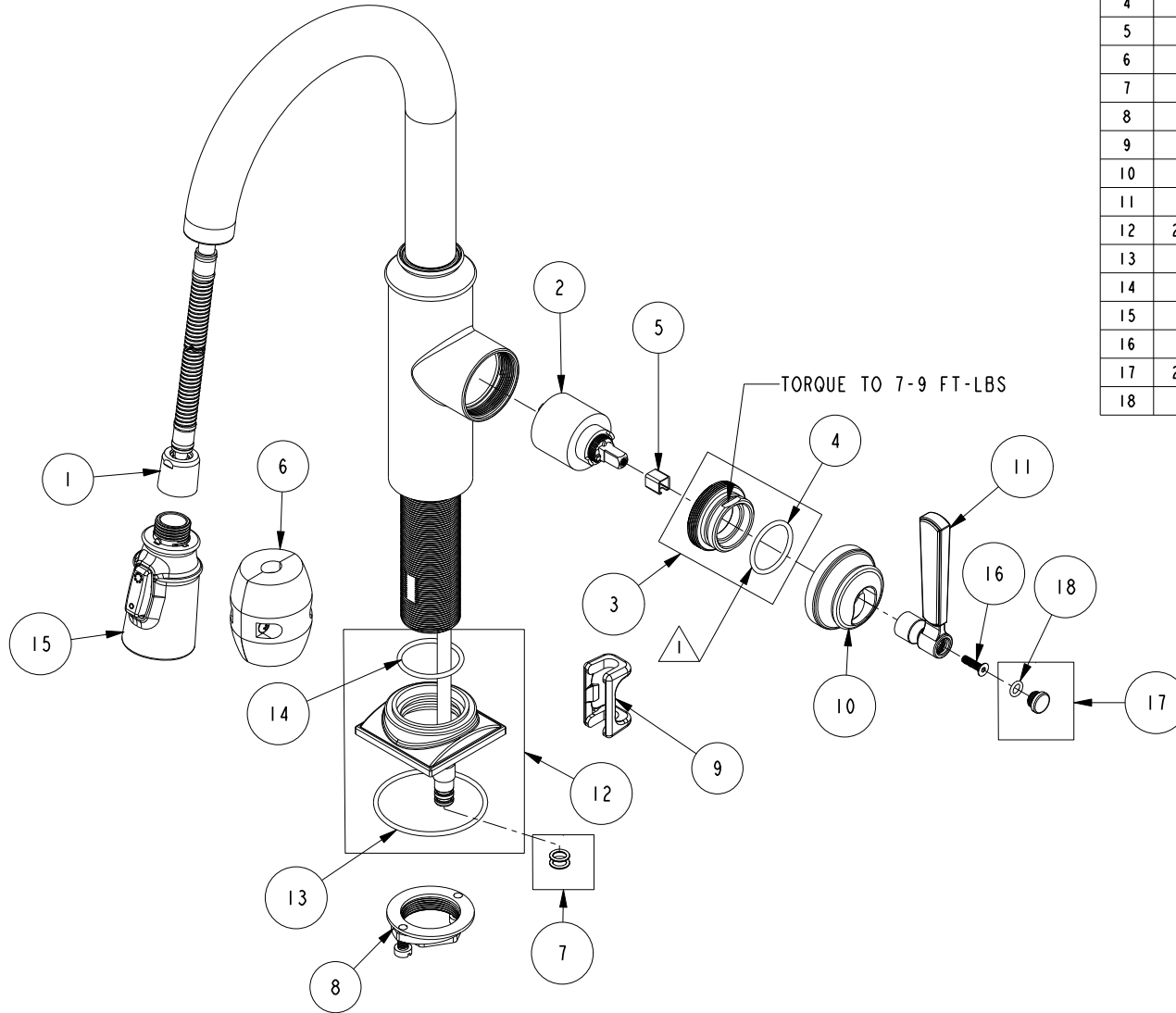


REPLACEMENT PARTS

NOTE:

 USE SILICON GREASE (PART NUMBER 6727) TO LUBRICATE O-RINGS BEFORE INSTALL.



ITEM	PT/ASSY	SPECIFY FINISH	DESCRIPTION
1	11877		HOSE, PULLDOWN SWIVEL
2	1-064		SINGLE LEVER CARTRIDGE
3	1-266		CART. RETAINER ASM
4	91608		O-RING, #2-122, EPDM, 65-75 DURO
5	91534		CARTRIDGE STEM INSERT
6	1-286		WEIGHT ASM
7	1-399		O-RING KIT FOR SPOUT PEX CONECTION
8	1-256		MOUNTING KIT
9	91568		RETAINER CLIP
10	12839	YES	HANDLE HUB
11	12850	YES	HANDLE LEVER
12	20-222	YES	BASE RING ASM
13	91755		O-RING, #2-142, EPDM, 50 DURO - GREY
14	91227		O-RING, #2-125 EPDM
15	3-597	YES	SPRAY HEAD, TAFT
16	92477		SCRW, M4 X 16 SKT FLT HD SS
17	20-226	YES	CAP ASM
18	91049		O-RING, #2- 010, EPDM, 65-75 DURO, NSF 61

PREP/BAR PULLDOWN
3170-5203

REV H EN-4766 01/17/24 APPROVED RS

NEWPORT BRASS.

t: 949.417.5207 | www.newportbrass.com